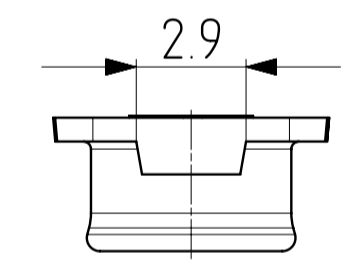
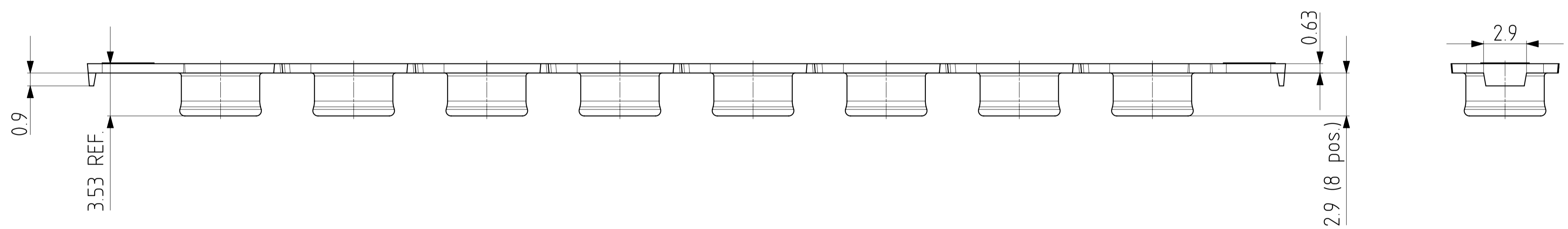
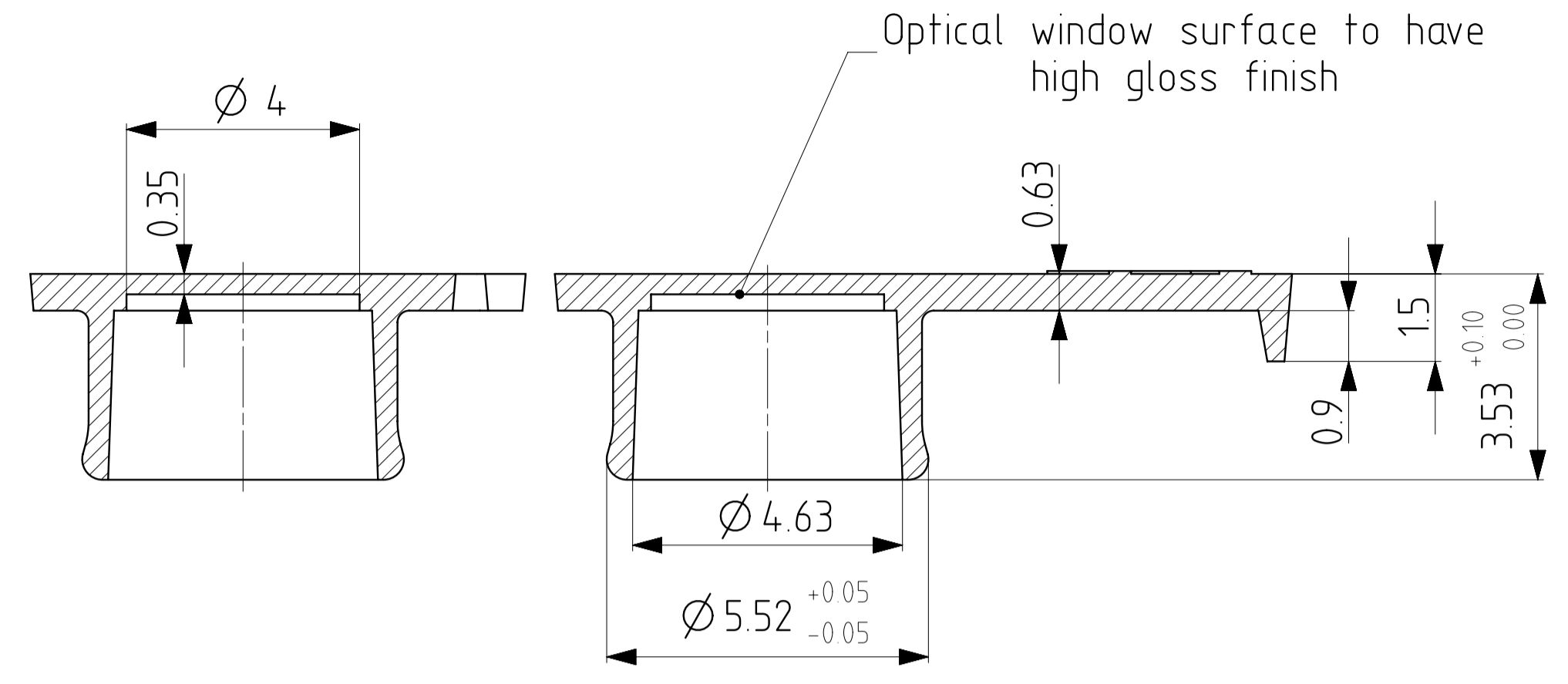
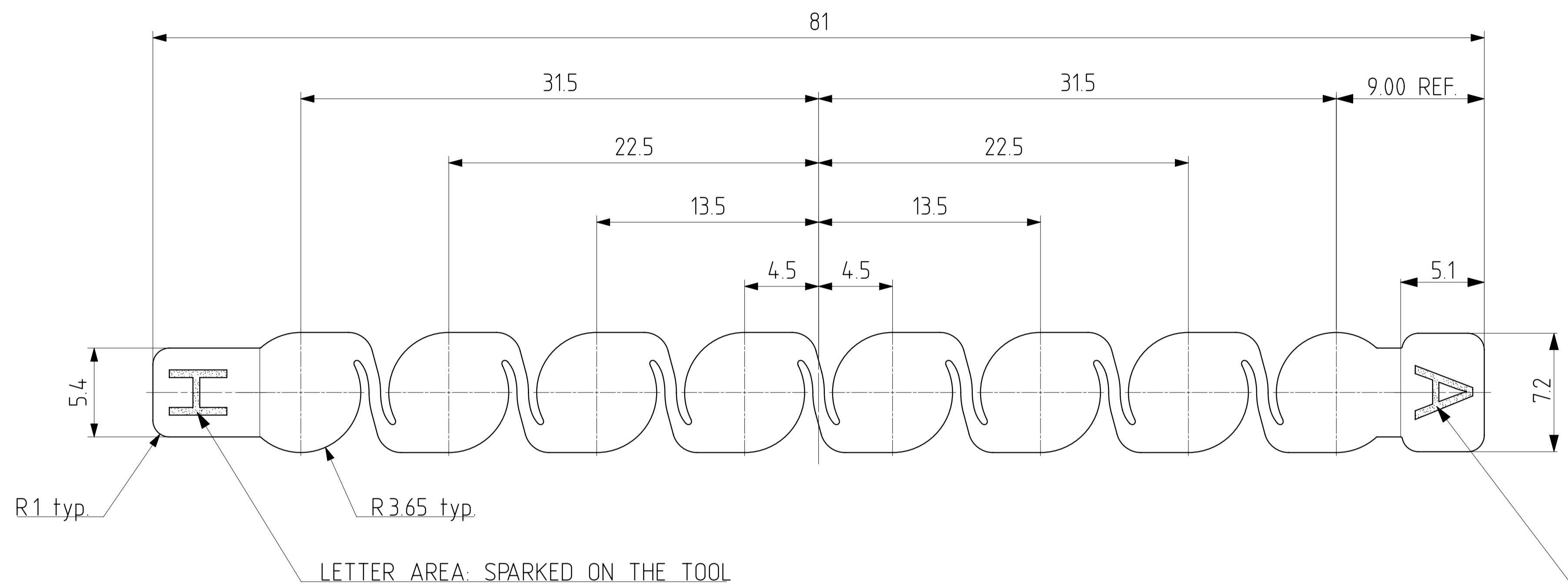
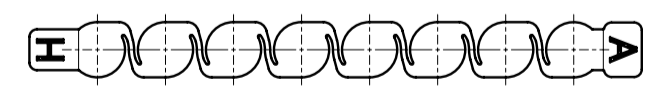


CAP DETAIL 10:1



NOTE:
 ALL FACES TO HAVE A SMOOTH GLOSS FINISH (HIGHLY POLISHED ON TOOL)
 UNDIMENSIONED FEATURES BY 3D MODEL



ACTUAL SIZE

ISSUE	DATE	AMENDMENT



DO NOT SCALE
 IF IN DOUBT ASK

CUSTOMER	CUSTOMER DRG No.	ISSUE
MATERIAL	POLYCARBONATE - Panlite L 1225Z 100	
TOLERANCES	0 ±0.20 0.0 ±0.10 0.00 ±0.05 ANGULAR ±0°30' (ALL DIMENSIONS IN MILLIMETRES)	
GENERAL TOLERANCES (UNLESS OTHERWISE STATED)		

DRAWN	ZOLTAN E.
DATE	12.03.2015
CHECKED	PAUL D.
DATE	
SCALE	5:1

TITLE	CrystalCaps (8-strip caps) MARKETING DRAWING	
DRAWING No.	4ti-0755	
SHEET No.	1 OF 1	ISSUE A