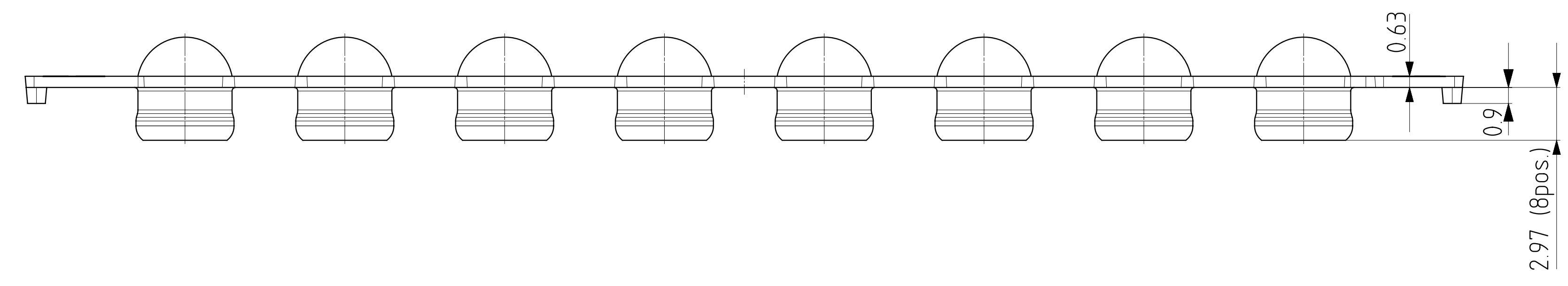
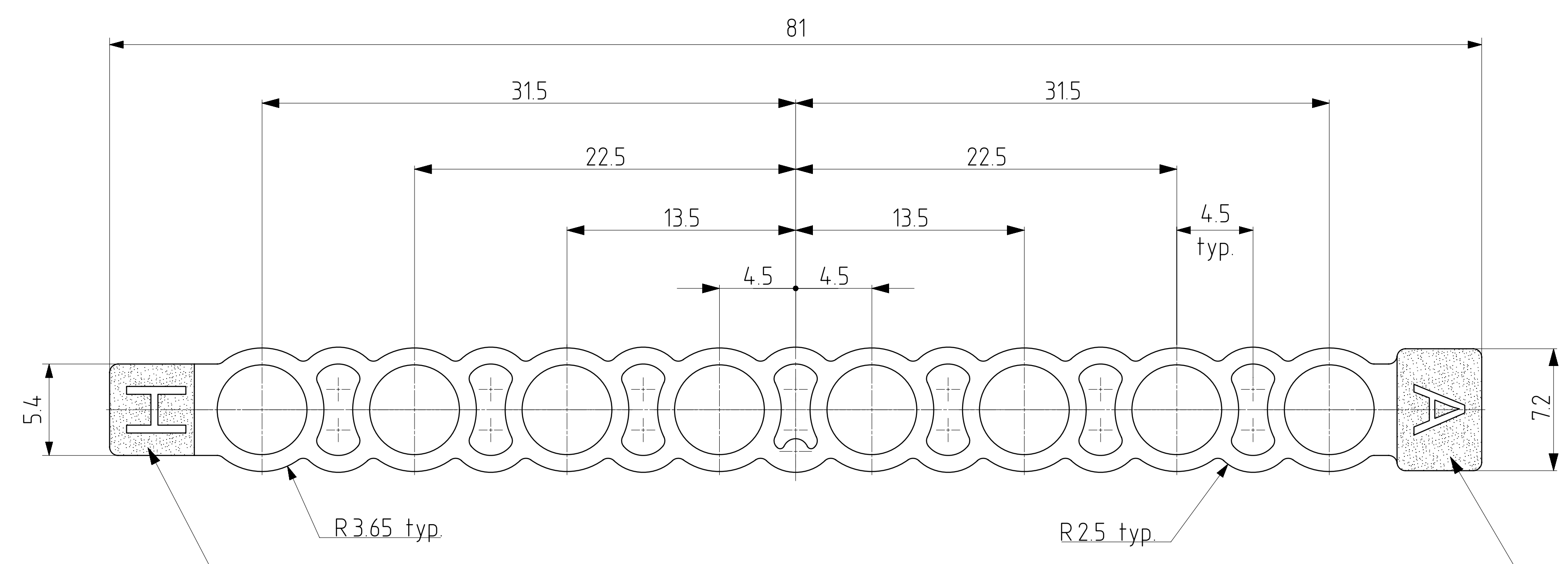
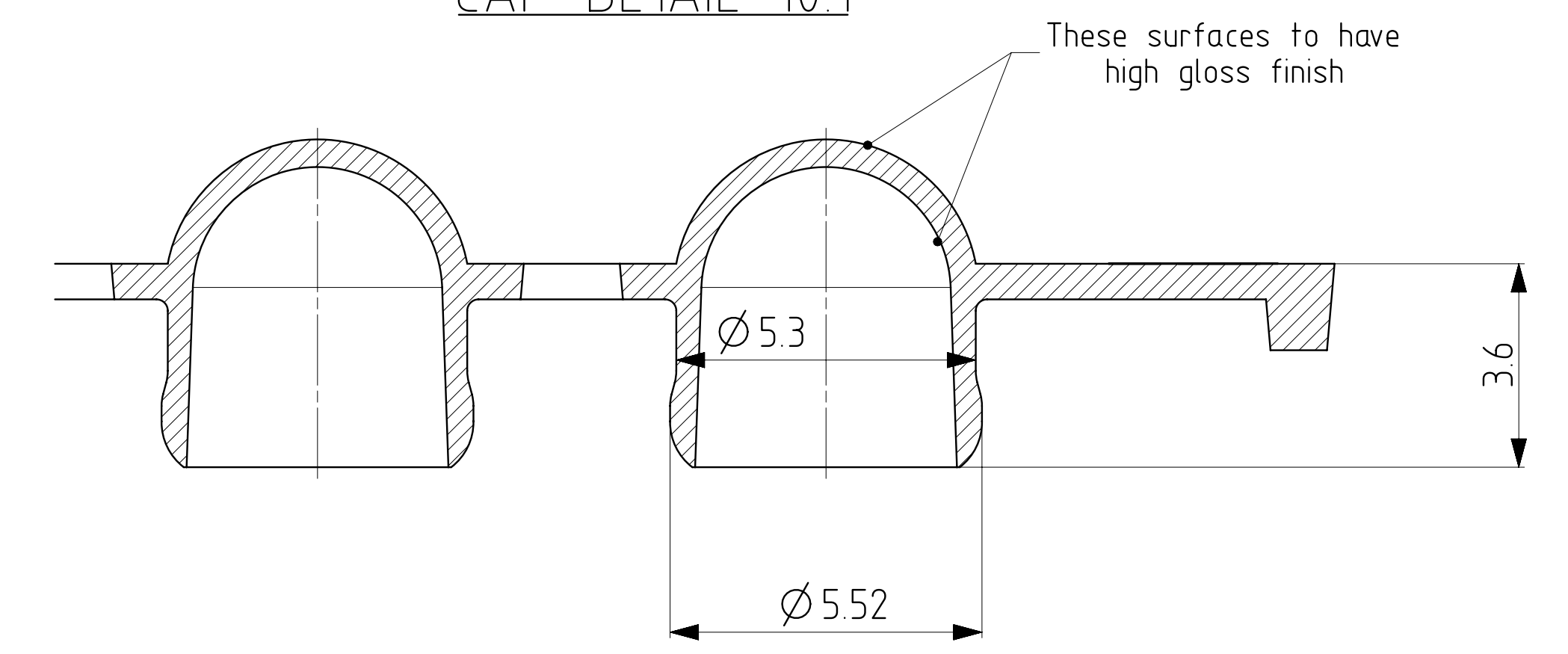
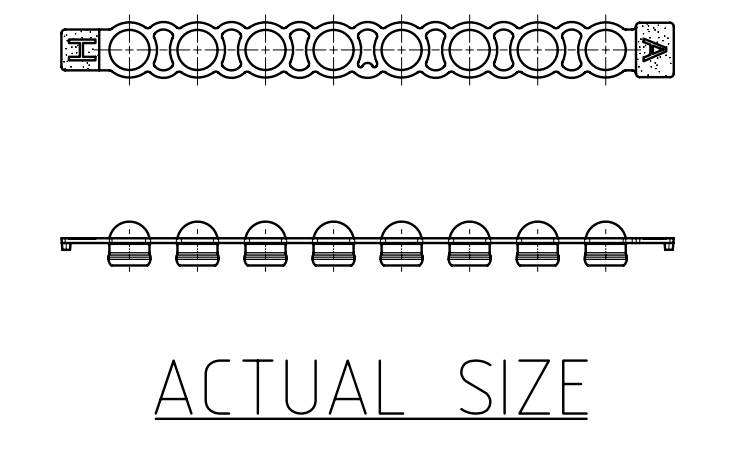


CAP DETAIL 10:1



NOTE:
ALL FACES TO HAVE A SMOOTH GLOSS FINISH (HIGHLY POLISHED ON TOOL)



ISSUE	DATE	AMENDMENT



 DO NOT SCALE IF IN DOUBT ASK	CUSTOMER	ZE.	TITLE Strip of 8 domed optical cap Marketing drawing
	CUSTOMER DRG No.	ISSUE	
TOLERANCES GENERAL TOLERANCES (UNLESS OTHERWISE STATED)	MATERIAL	POLYPROPYLENE	CHECKED & SIGNATURE
	0 ±0.15 0.0 ±0.05 0.00 ±0.02 ANGULAR ±0°30' (ALL DIMENSIONS IN MILLIMETRES)		DATE
	SCALE	5:1	ISSUE D
DRAWING No. 4ti-0752		SHEET No. 1 OF 1	