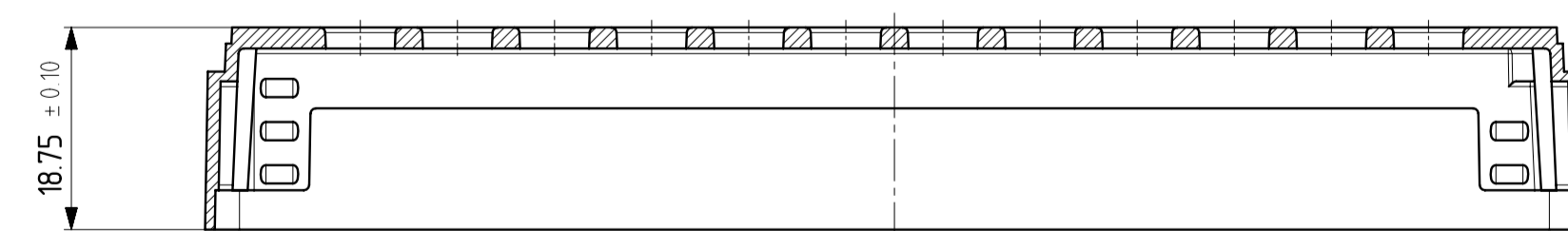
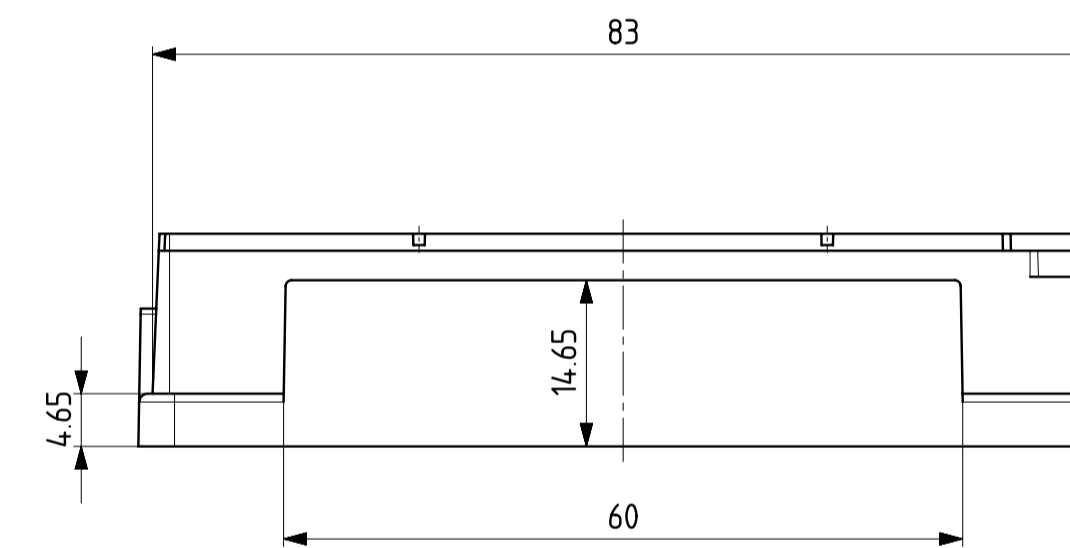
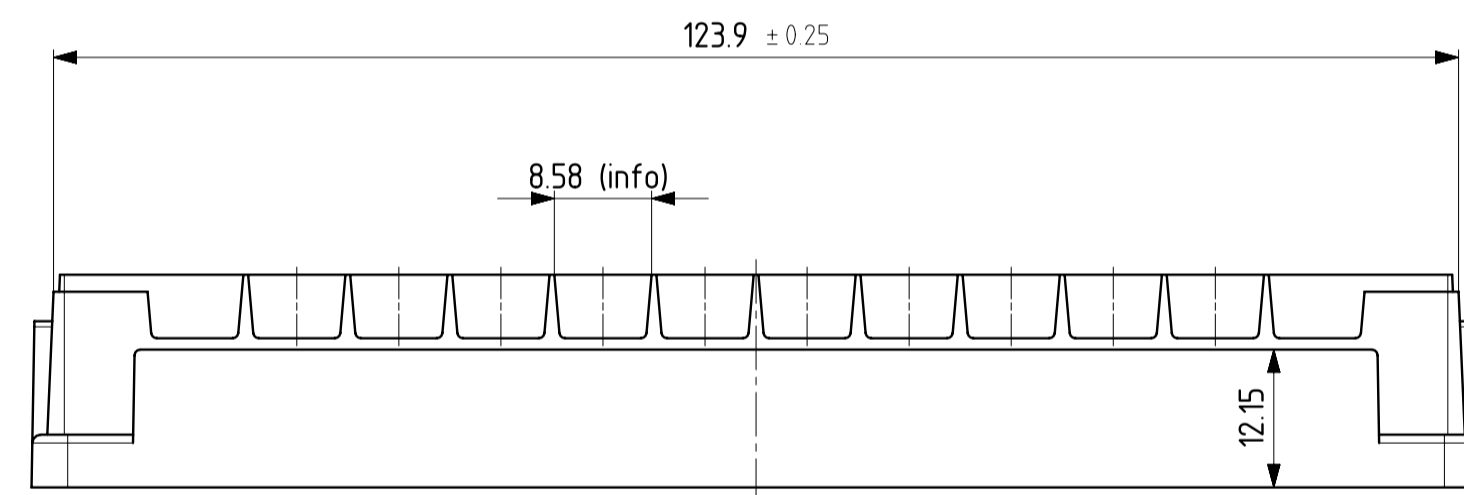


SECTION B-B



SECTION A-A

1. SURFACE FINISH TO BE SMOOTH - POLISHED ON TOOL BY VDI 5
2. THE WHOLE PART MUST BE FLAT AND PARALLEL TO WITHIN +/- 0.10
3. MAXIMUM PERMISSIBLE SIDE WALL BOWING ±0.10
4. THE UNDIMENSIONED VALUES BY 3D CAD MODEL

ISSUE	DATE	AMENDMENT
A	09.07.2018	Original drawing based on the 4ti-0371 ISSUE L drawing



DO NOT SCALE
IF IN DOUBT ASK

CUSTOMER	SIGNATURE	DRAWN	ZE	TITLE
CUSTOMER DRG No.	ISSUE	DATE	09.07.2018	Non-Skirted PCR Plate Adapter MARKETING DRAWING
MATERIAL	Polycarbonate	CHECKED & SIGNATURE	EF	DRAWING No. 4ti-0373
TOLERANCES	0 ±0.20 0.0 ±0.10 0.00 ±0.05 ANGULAR ±0°30'	DATE		SHEET No. 1 OF 1
GENERAL TOLERANCES (UNLESS OTHERWISE STATED)	(ALL DIMENSIONS IN MILLIMETRES)	SCALE		ISSUE A