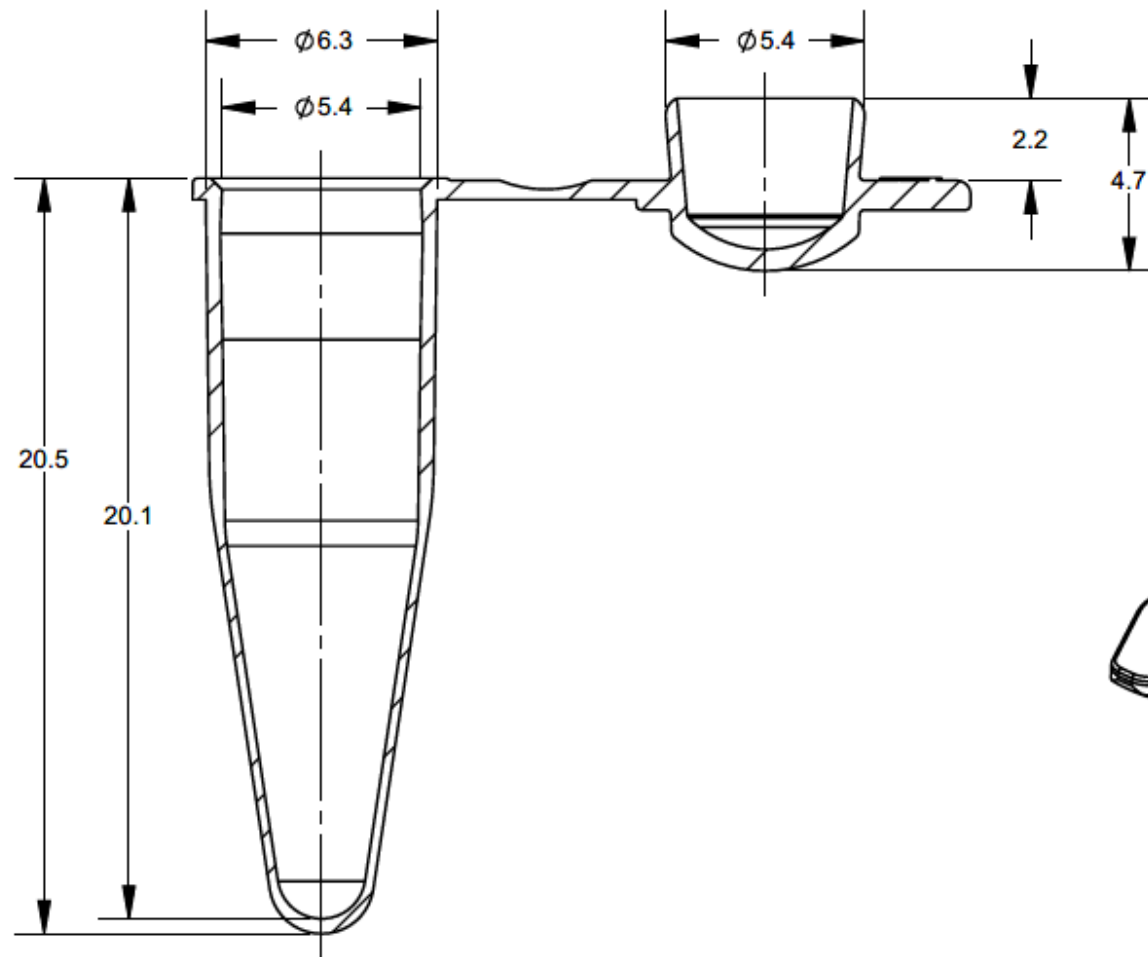
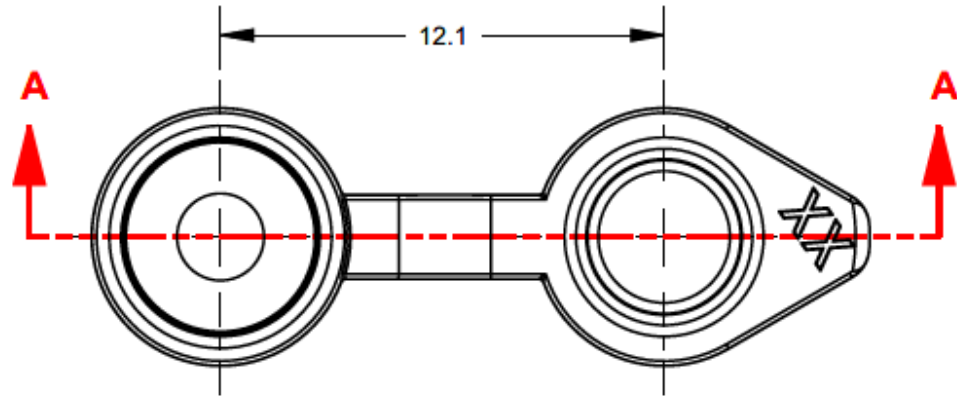


Inspection Report number			
Title		Marketing Drawing 4ti-0795	
Revision	001	Effective date	
Document owned by	QC	Page	1



SECTION A-A
SCALE 4 : 1

