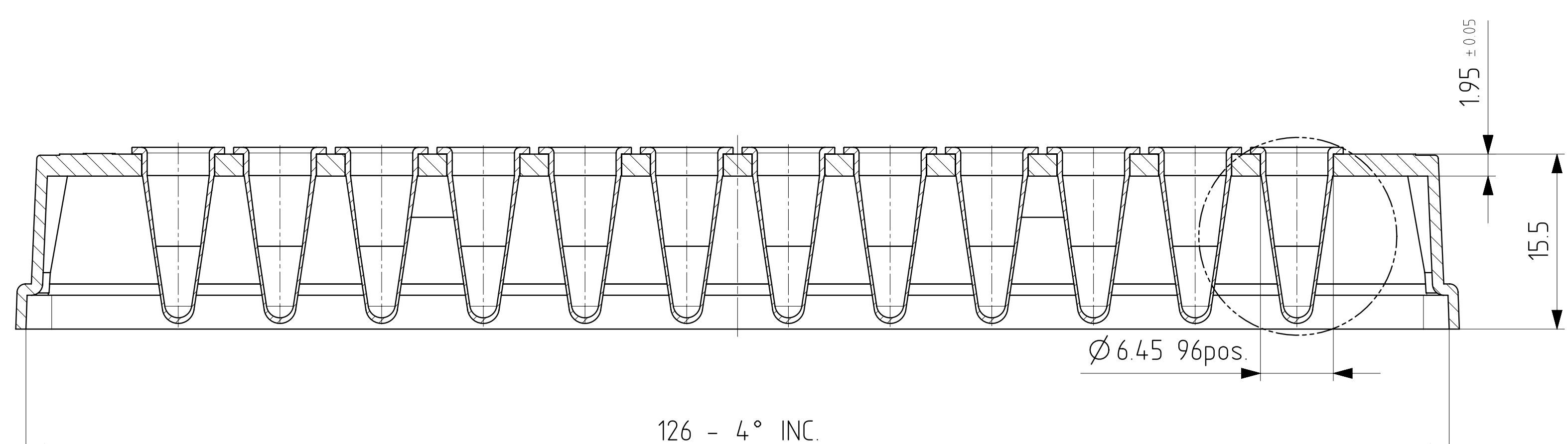
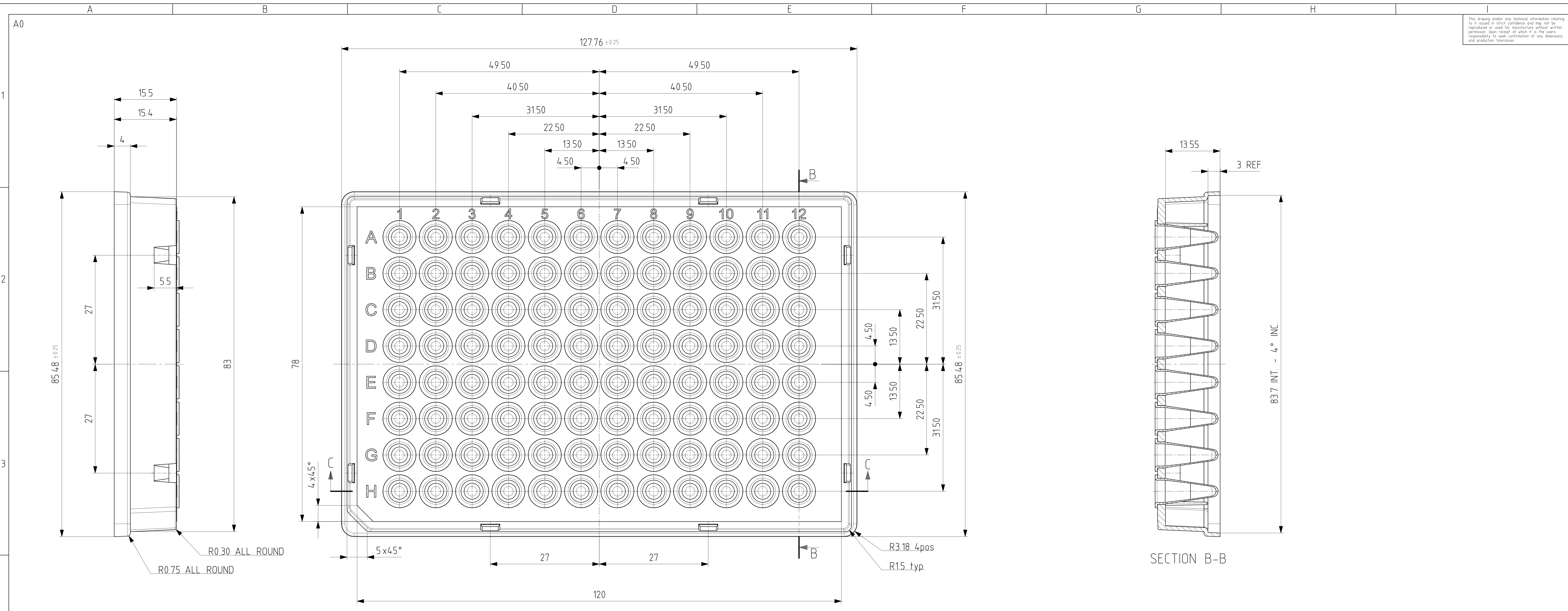
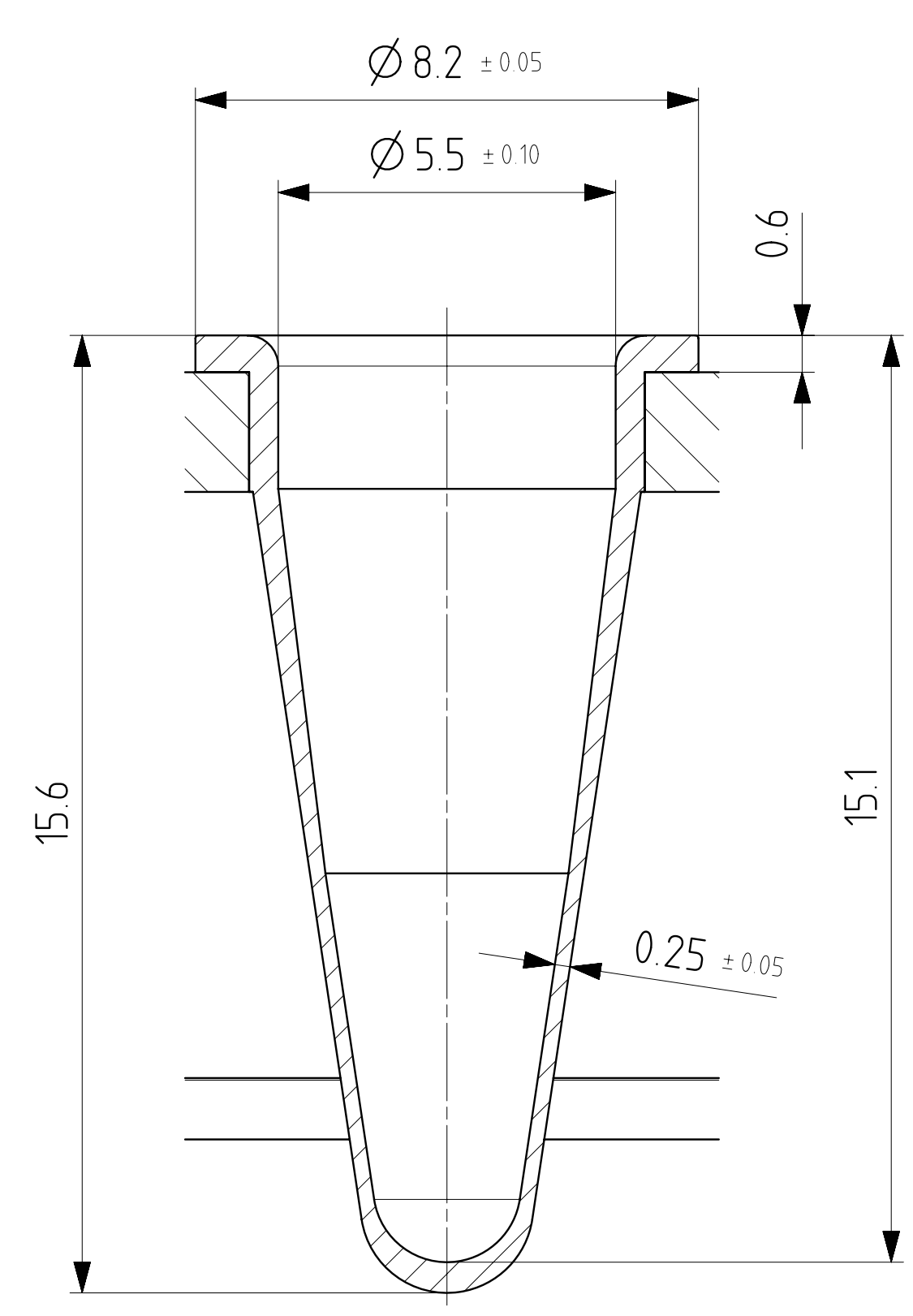


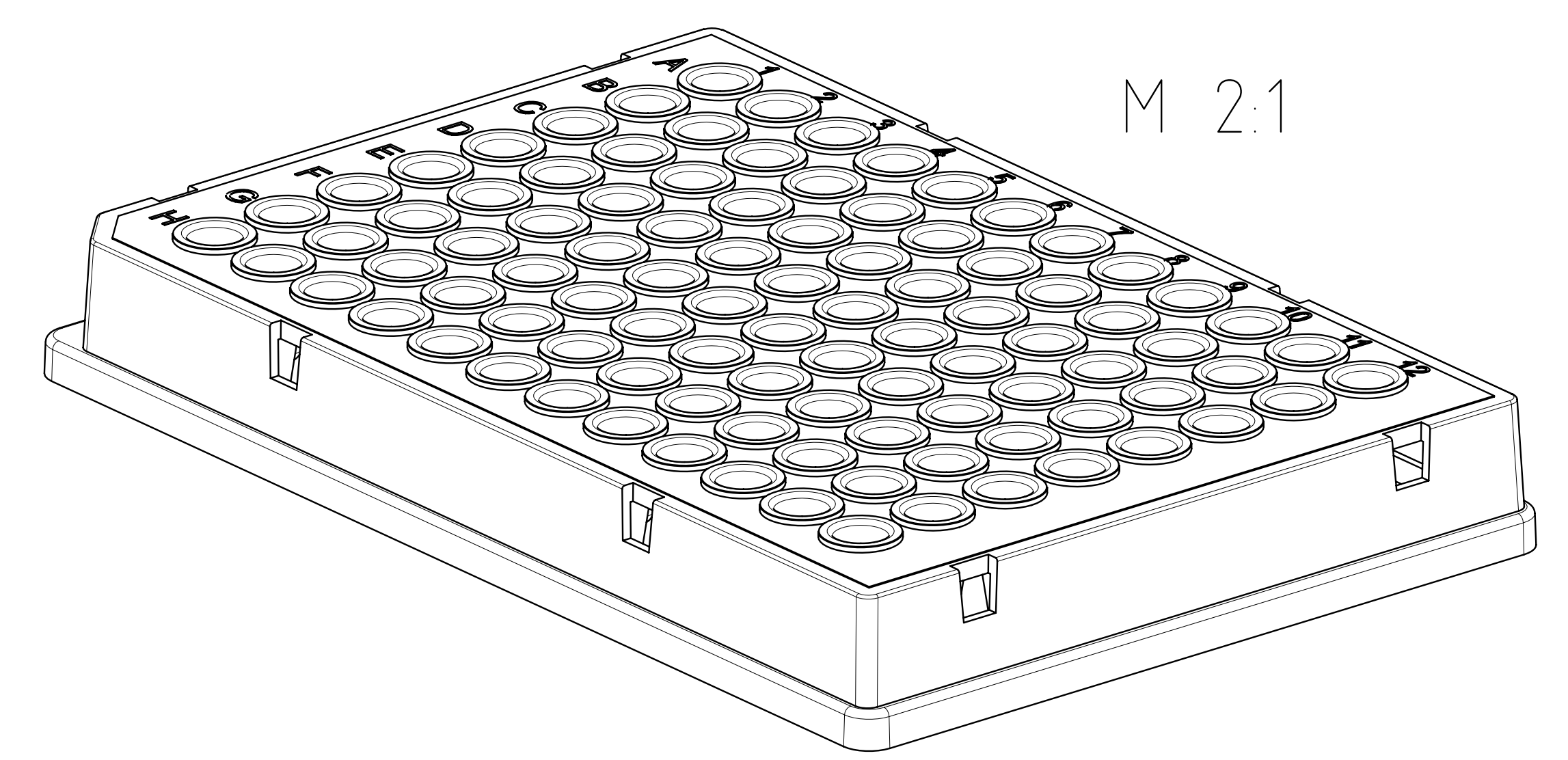
This drawing and/or any technical information relating to it issued in strict confidence and may not be reproduced or used for manufacture without written permission. Sign recall of which it is the users responsibility to seek confirmation of any dimensions and production tolerances.



SECTION C-C



VIAL FORM 96pos
SCALE 10:1



ISSUE	DATE	AMENDMENT	ISSUE	DATE	AMENDMENT
A	17.05.2017	Original drawing			



DO NOT SCALE
IF IN DOUBT ASK

CUSTOMER	CUSTOMER DRG. No.	ISSUE	DATE
MATERIAL	CHECKED		
TOLERANCES	DATE		
GENERAL TOLERANCES (UNLESS OTHERWISE STATED)	SCALE		

DRAWN	ZE	TITLE
CHECKED	PD	Random Access frame with tubes Marketing drawing
DRAWING No.	4ti-0960/RA	
SHEET No.	1 OF 1	ISSUE A