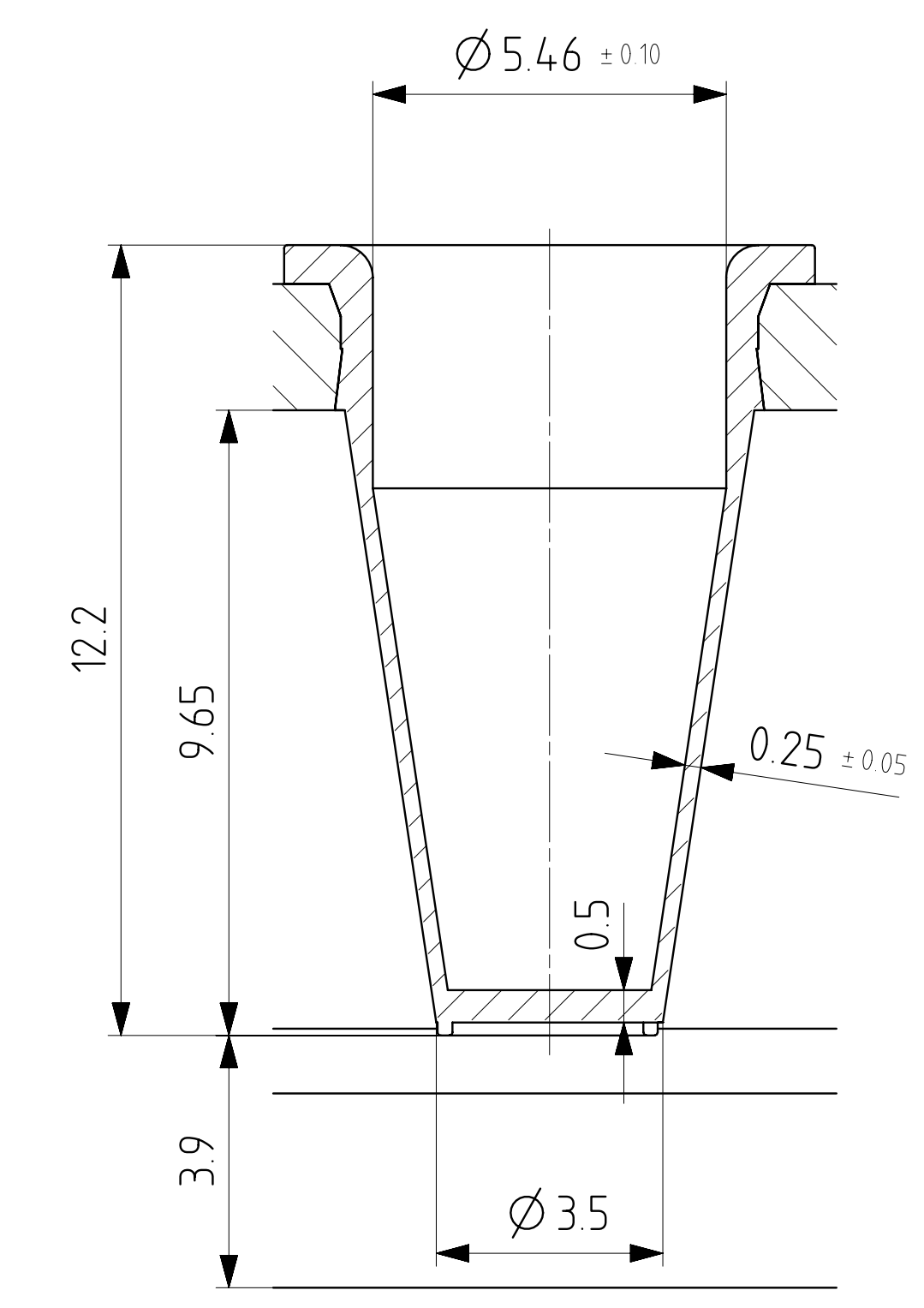


SECTION C-C



VIAL FORM 96pos.
SCALE 10:1

ISSUE	DATE	AMENDMENT	ISSUE	DATE	AMENDMENT
A	05.07.2018	Original drawing			



DO NOT SCALE
IF IN DOUBT ASK

CUSTOMER	DRAWN	ZE
CUSTOMER DRG No	DATE	05.07.2018
MATERIAL Frame: PC, Tubes: PP	CHECKED	JB
TOLERANCES	DATE	
GENERAL TOLERANCES (UNLESS OTHERWISE STATED)	SCALE	

TITLE	Random Access frame with sparked bottom tubes
TITLE	MARKETING DRAWING
DRAWING No	4ti-0975/RA
SHEET No	1 OF 1
ISSUE	A