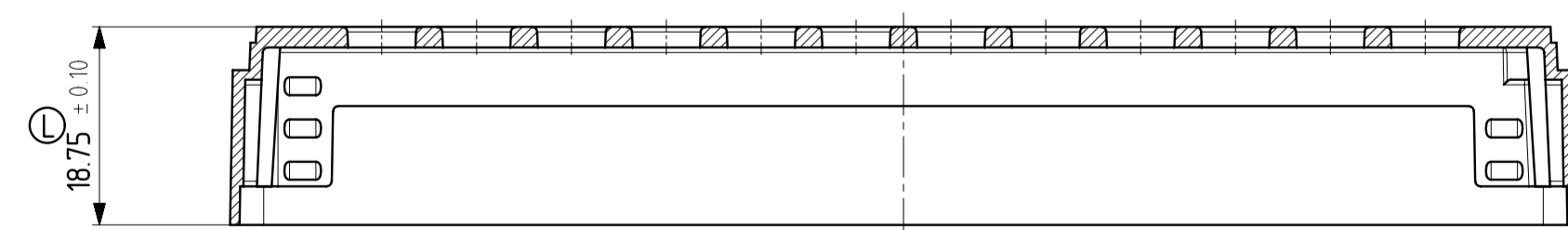
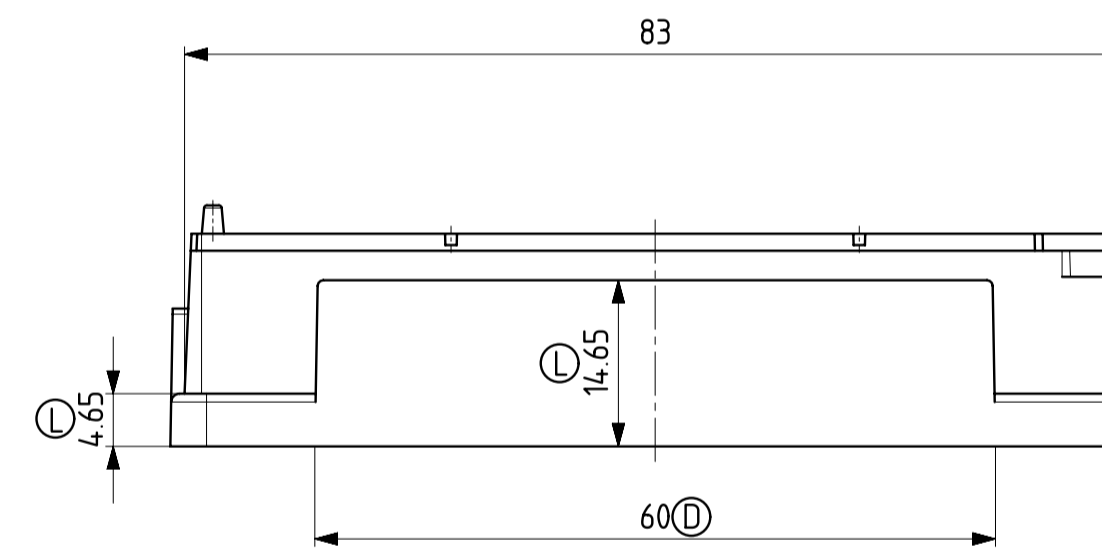
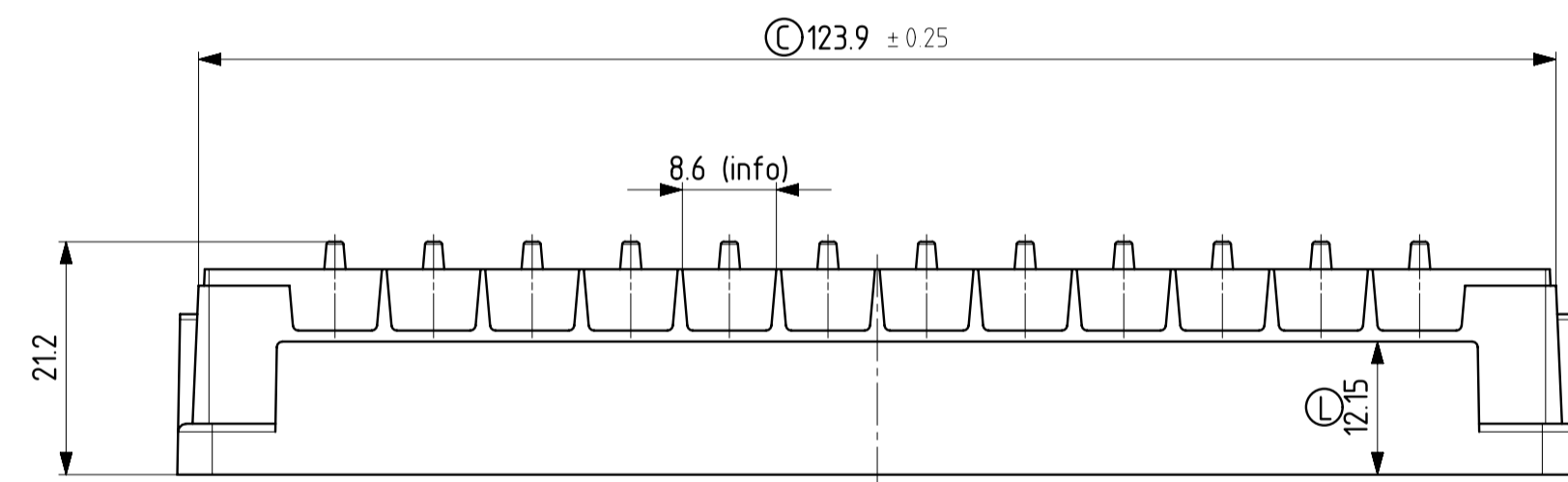


SECTION B-B



SECTION A-A

ISSUE	DATE	AMENDMENT



DO NOT SCALE
IF IN DOUBT ASK

CUSTOMER	SIGNATURE	DRAWN	ZE
CUSTOMER DRG No.	ISSUE	DATE	02.08.2018
MATERIAL	Polycarbonate		
TOLERANCES	0 ±0.20 0.0 ±0.10 0.00 ±0.05 ANGULAR ±0°30' (ALL DIMENSIONS IN MILLIMETRES)		
GENERAL TOLERANCES (UNLESS OTHERWISE STATED)	DATE	CHECKED & SIGNATURE	JB
SCALE	DATE	DRAWING No. 4ti-0371	

TITLE	Framestrip adaptor MARKETING DRAWING		
SHEET No.	1 OF 1	ISSUE	L