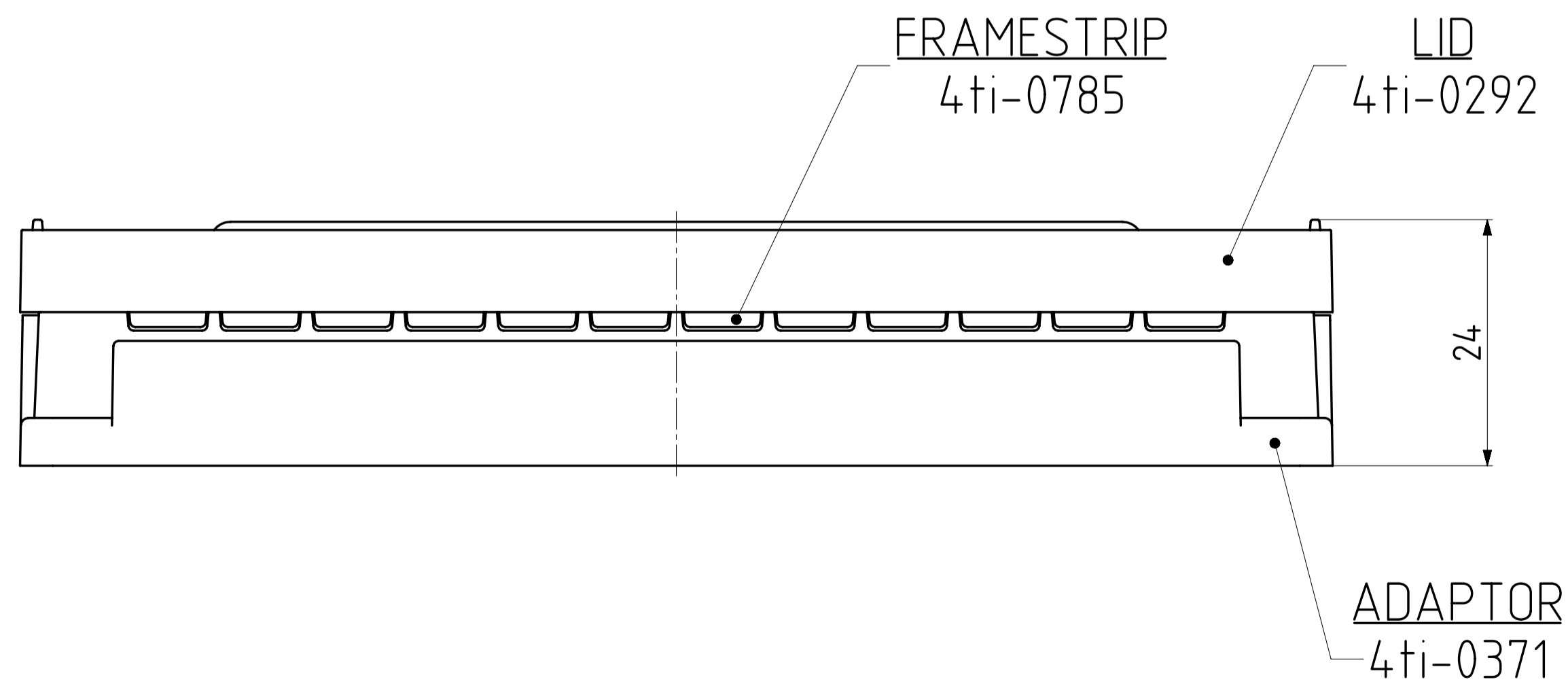
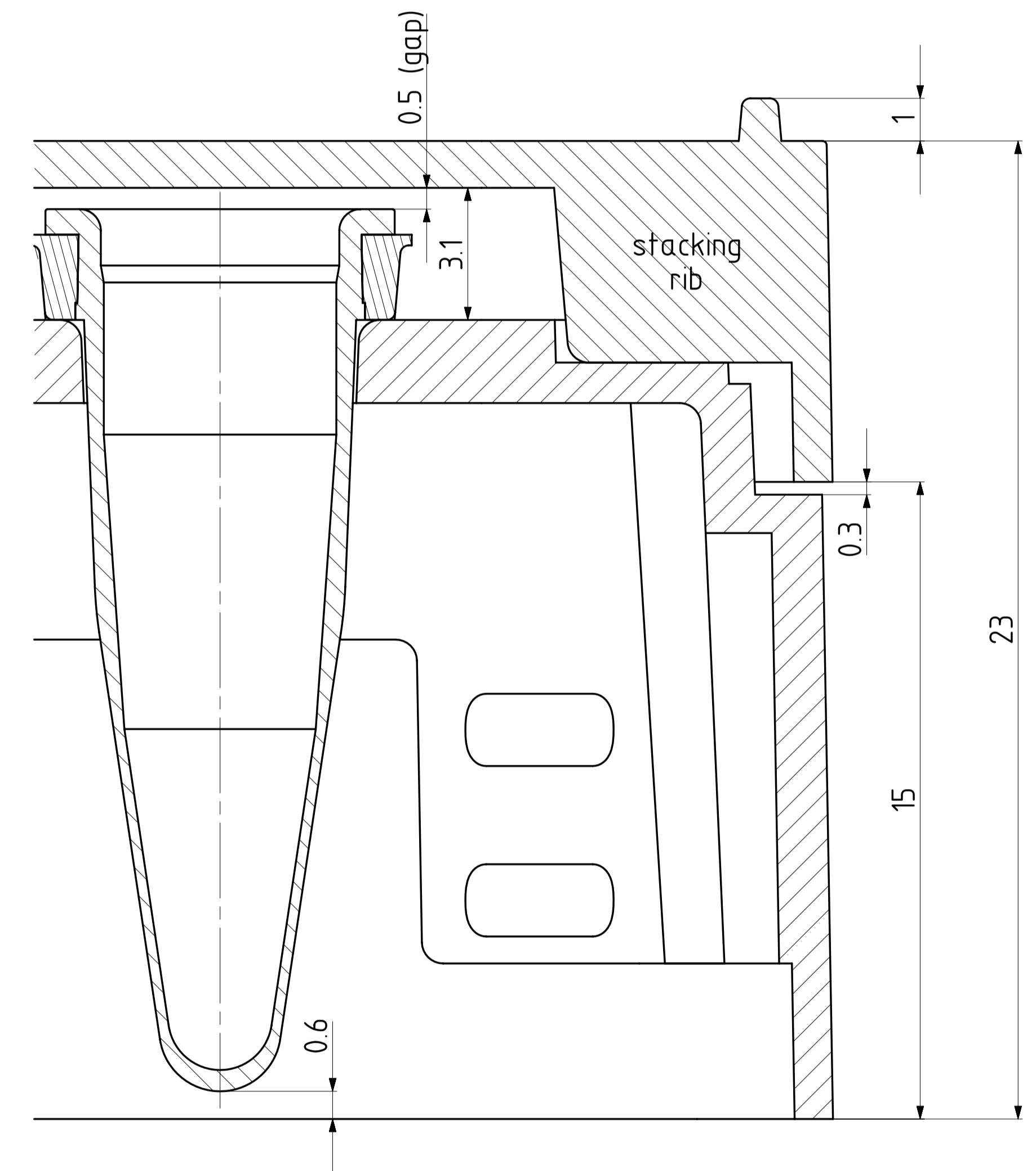


SECTION A-A



ISSUE	DATE	AMENDMENT



DO NOT SCALE
IF IN DOUBT ASK

CUSTOMER	SIGNATURE	DRAWN	ZE	TITLE
CUSTOMER DRG No.	ISSUE	DATE	10.08.2018	4ti-0371 Adaptor assembly check with 4ti-0292 Lid and 4ti-0785 Framestrips
MATERIAL	CHECKED & SIGNATURE	DATE	PD	MARKETING DRAWING
TOLERANCES	DATE	DRAWING No.		
GENERAL TOLERANCES (UNLESS OTHERWISE STATED)	SCALE	SHEET No.		ISSUE
0 ±0.25 0.0 ±0.20 0.00 ±0.10 ANGULAR ±0°30' (ALL DIMENSIONS IN MILLIMETRES)				