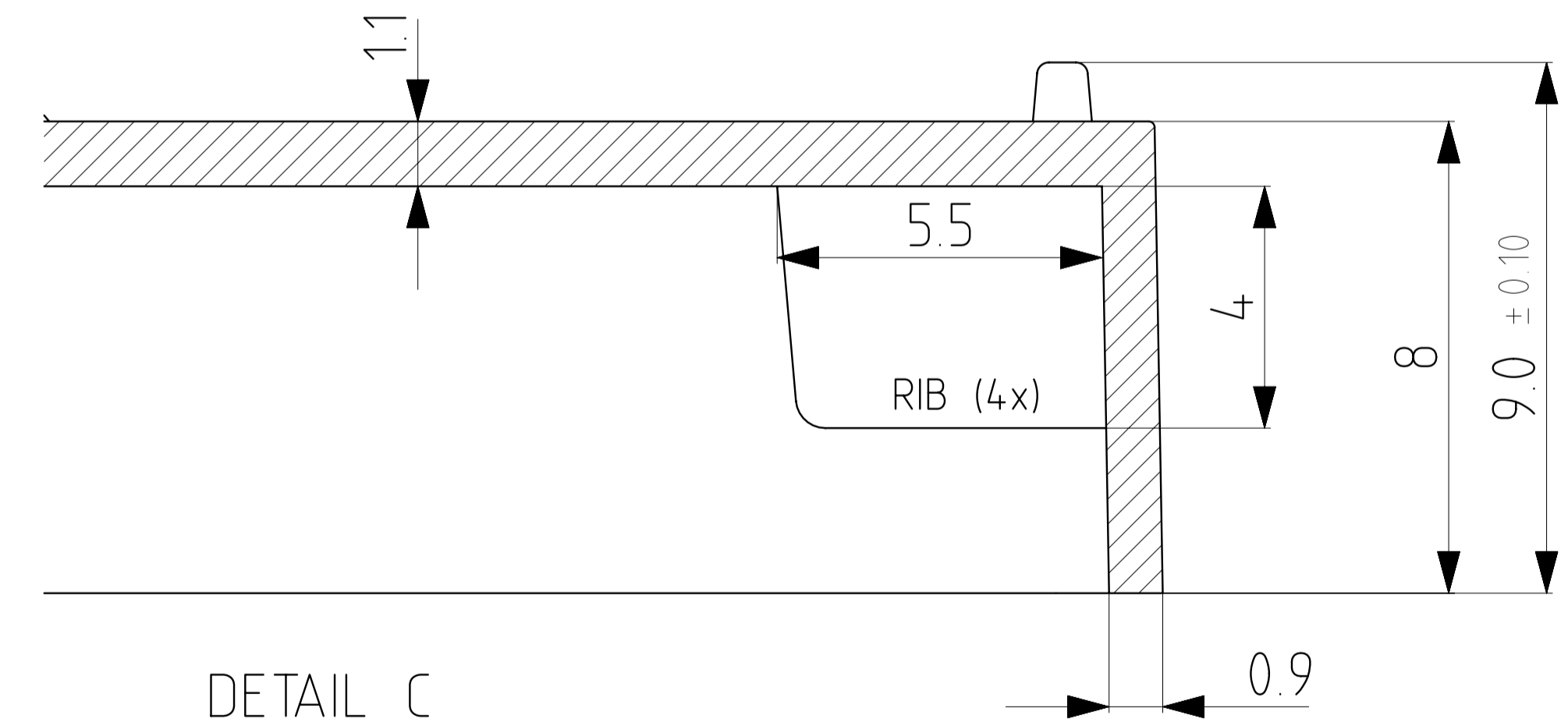
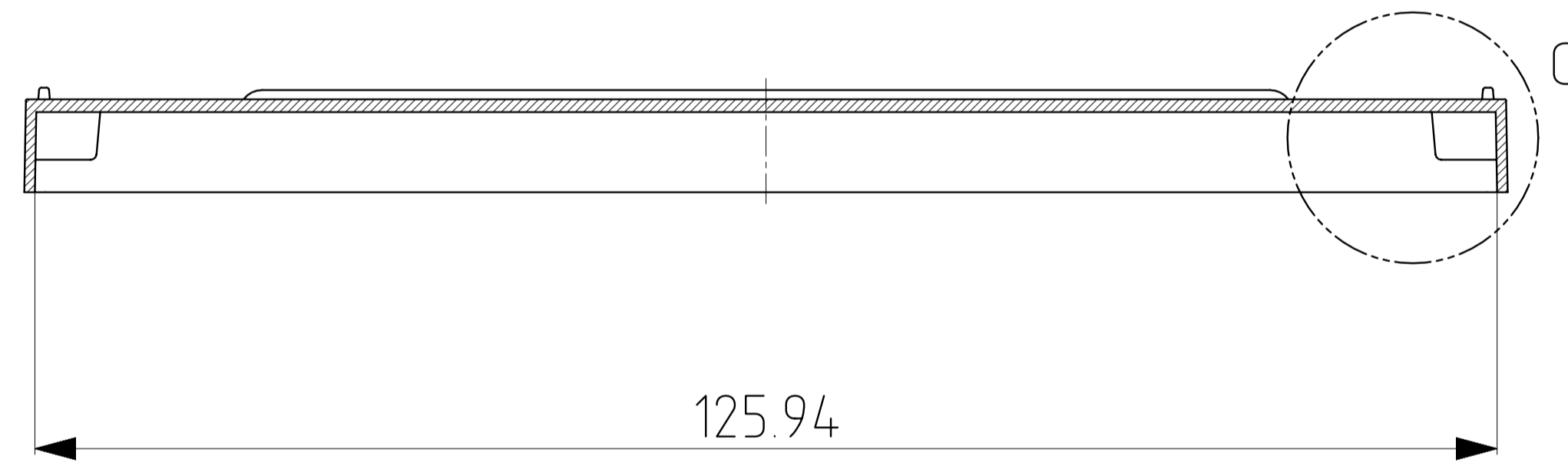
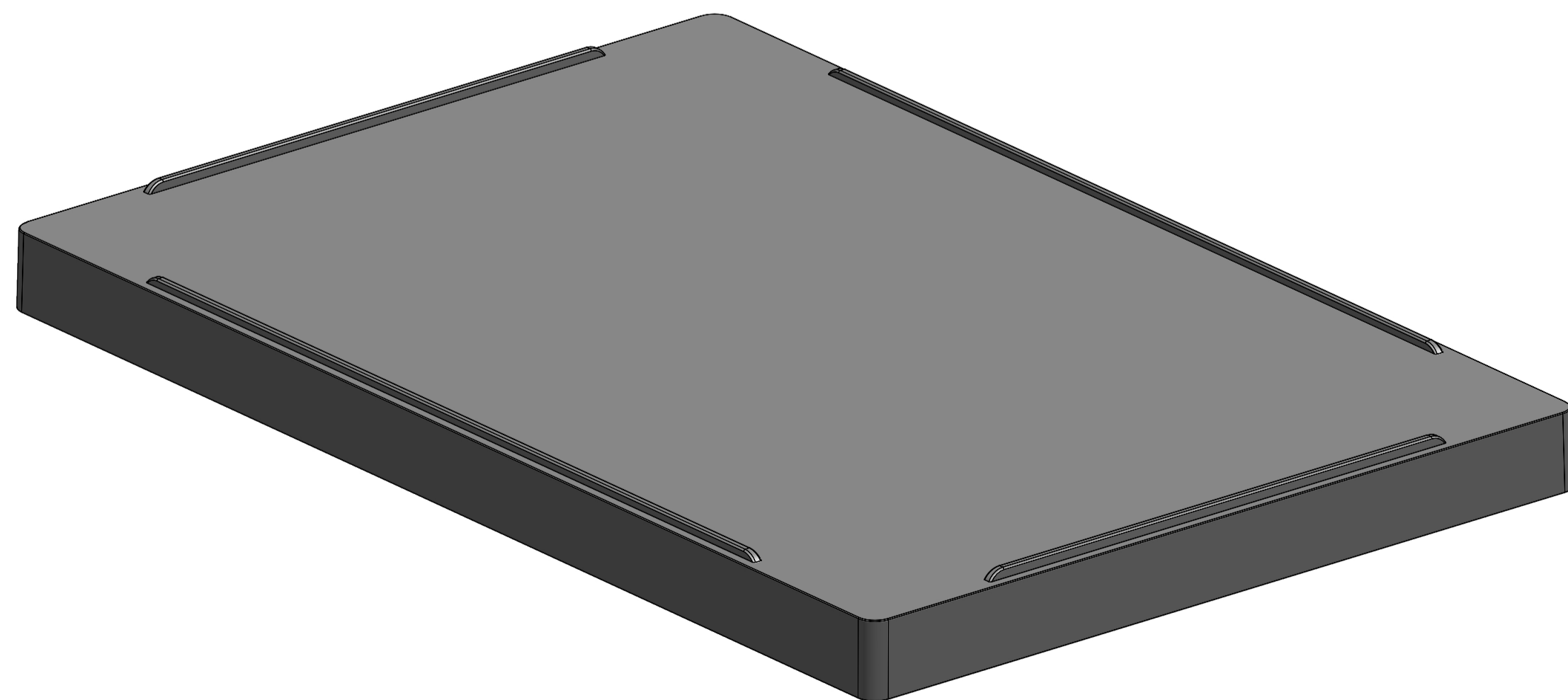


SECTION D-D

SECTION A-A



DETAIL C
SCALE 10:1



ISSUE	DATE	AMENDMENT

AZENTA
LIFE SCIENCES

www.azenta.com

DO NOT SCALE
IF IN DOUBT ASK

CUSTOMER	DRAWN	ZE
CUSTOMER DRG No.	ISSUE	DATE
MATERIAL POLYSTYRENE	CHECKED	PD
TOLERANCES	DATE	DRAWING No.
GENERAL TOLERANCES (UNLESS OTHERWISE STATED)	SCALE	SHEET No.

0 ± 0.20	DATE	24.07.2018
0.0 ± 0.10	CHECKED	PD
0.00 ± 0.05	DATE	
ANGULAR ± 0°30'	SCALE	
(ALL DIMENSIONS IN MILLIMETRES)		

TITLE	NGS Lid version 7 for Framestrip adaptor MARKETING DRAWING	
DRAWING No.	4ti-0292	
SHEET No.	1 OF 1	ISSUE D