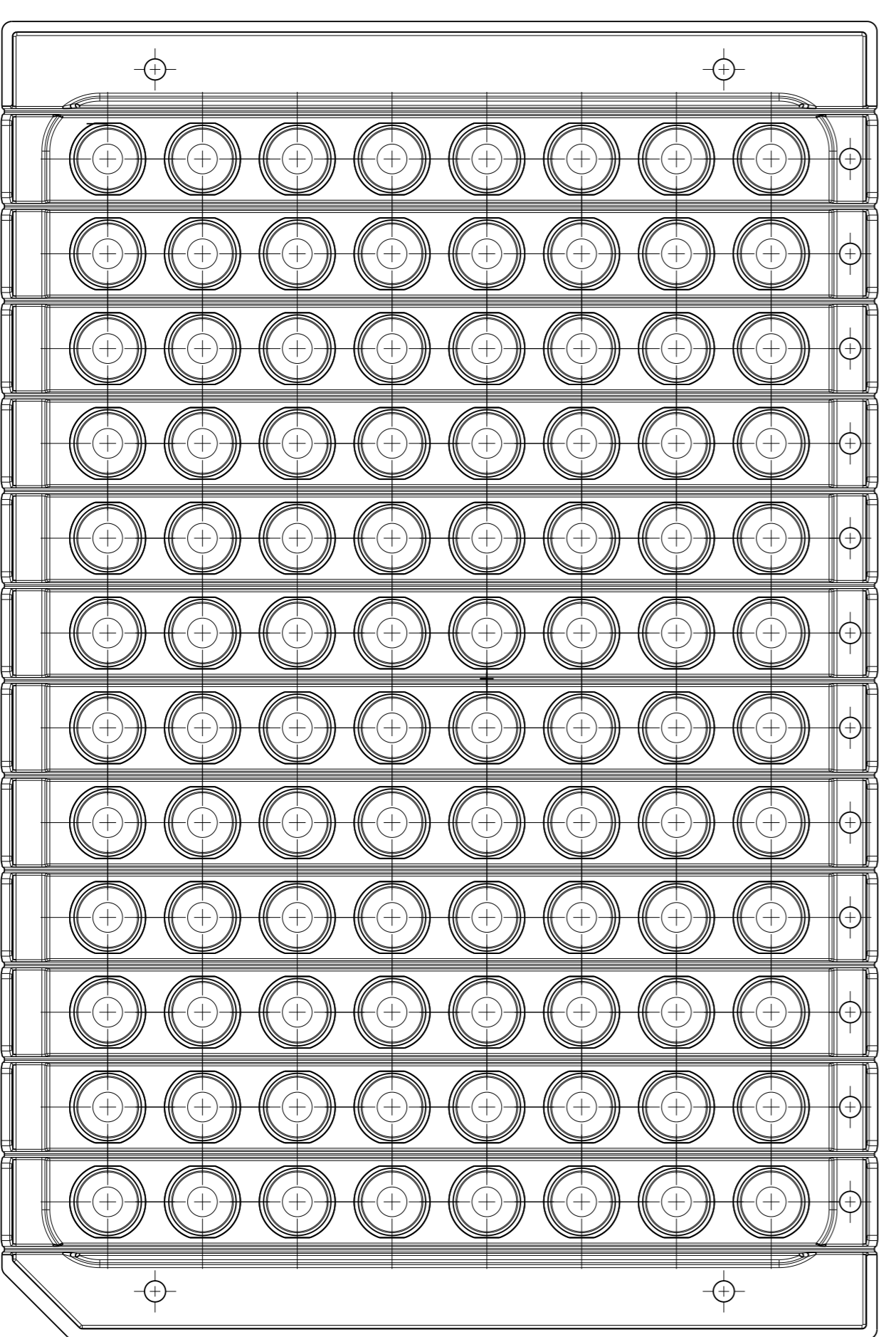
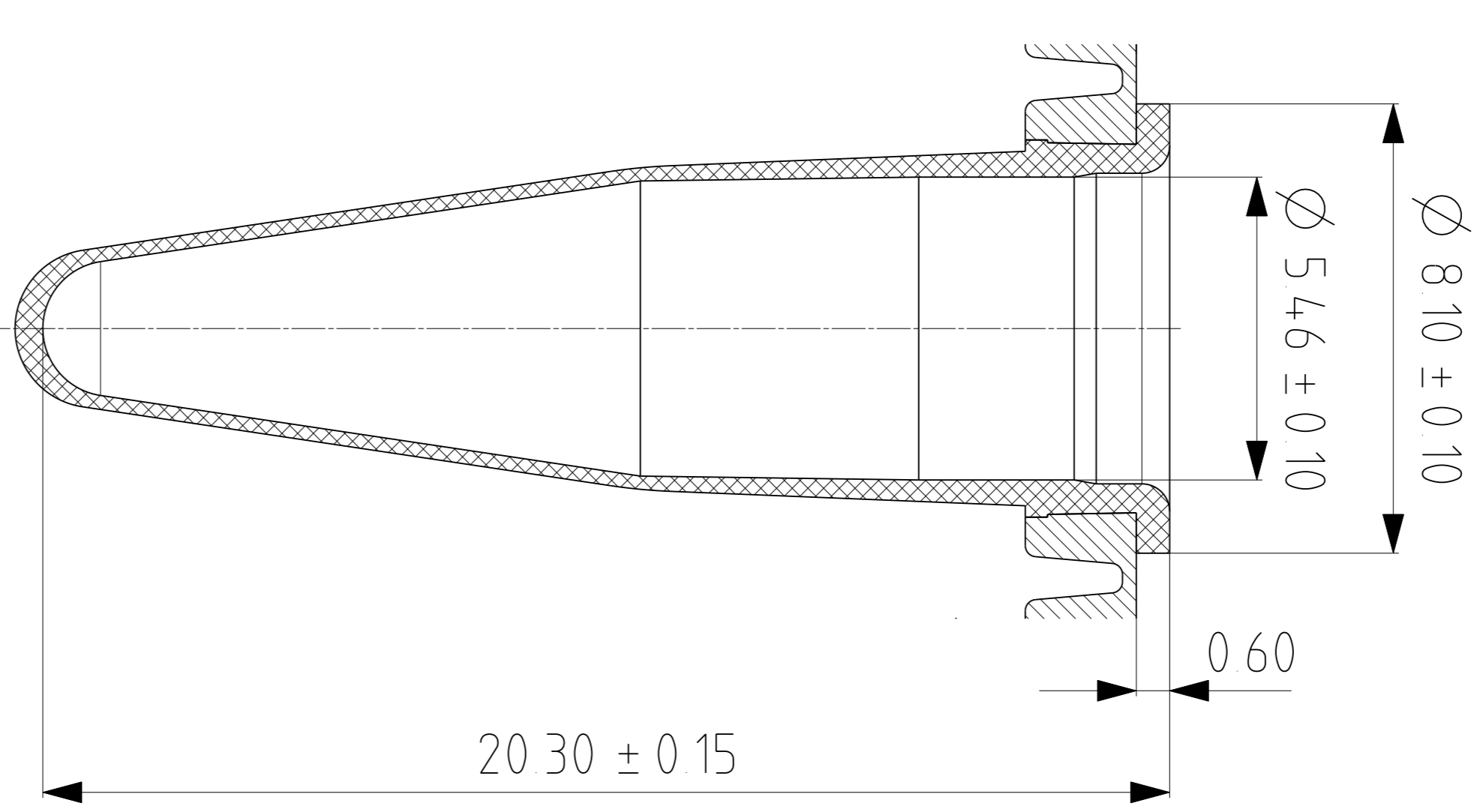
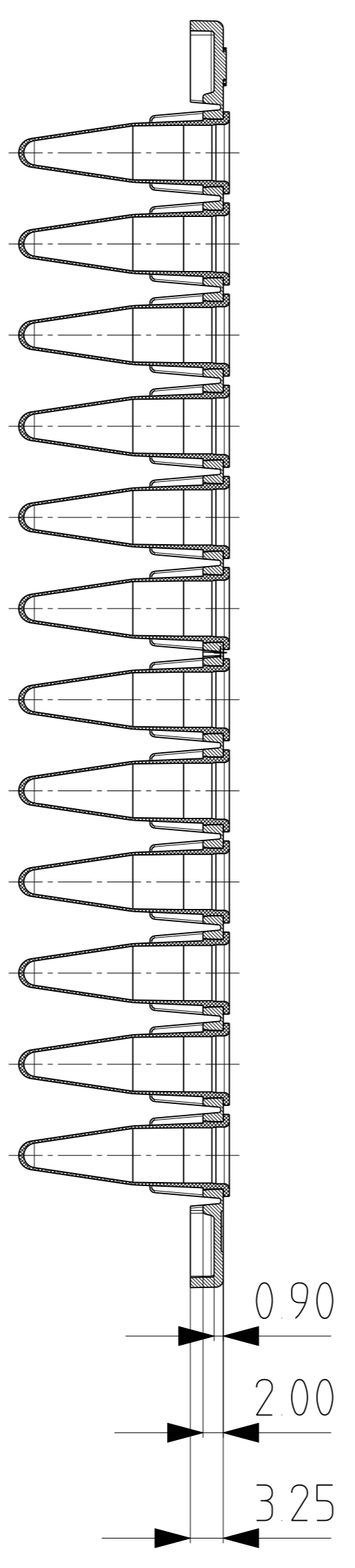
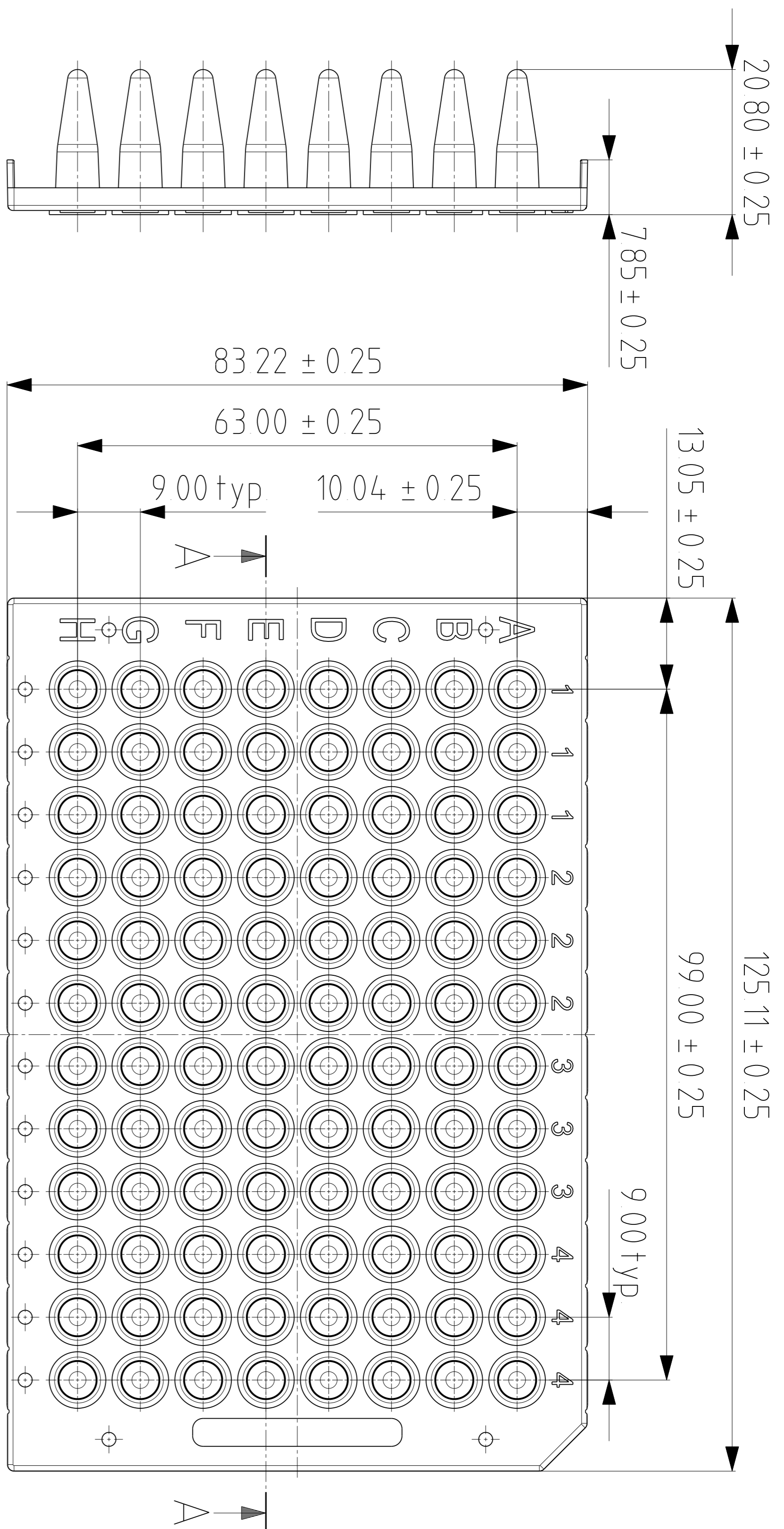


This drawing under any technical information relating reproduction or used for manufacture without written permission. Upon receipt of which it is the user's responsibility to seek confirmation of any dimensions and product specifications.



ISSUE	DATE	ASSEMBLY	
DO NOT SCALE IF IN DOUBT ASK		CUSTOMER CUSTOMER DRG. No MATERIAL TOLERANCES GENERAL TOLERANCES (UNLESS OTHERWISE STATED)	
DRAWN ZOLTAN E		TITLE Breakaway plate Marketing drawing	
DATE 16.06.2011		CHECKED PAUL D	
SCALE 2:1		SHEET No 1 OF 1	
		ISSUE	
www.azenta.com			