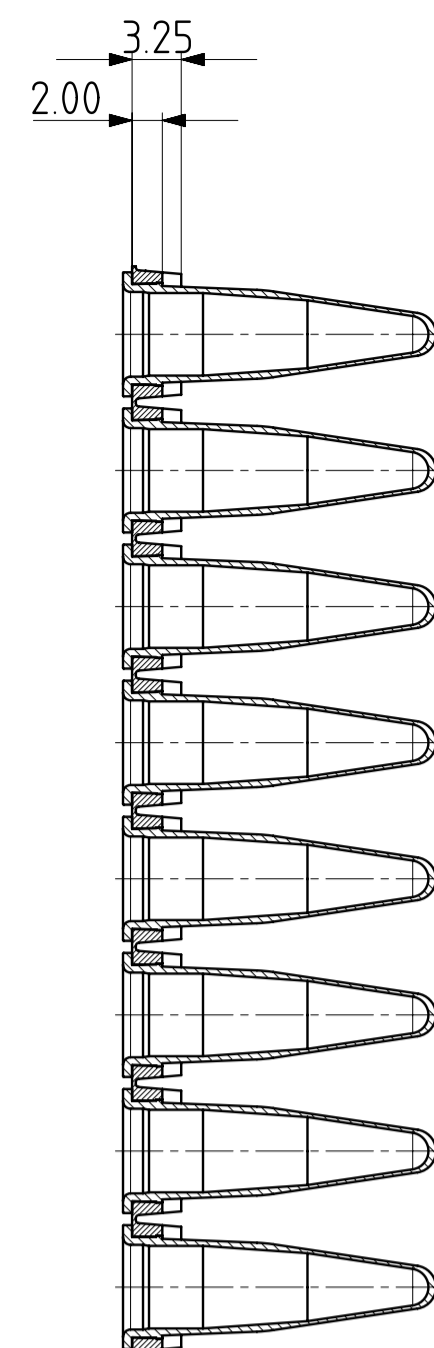
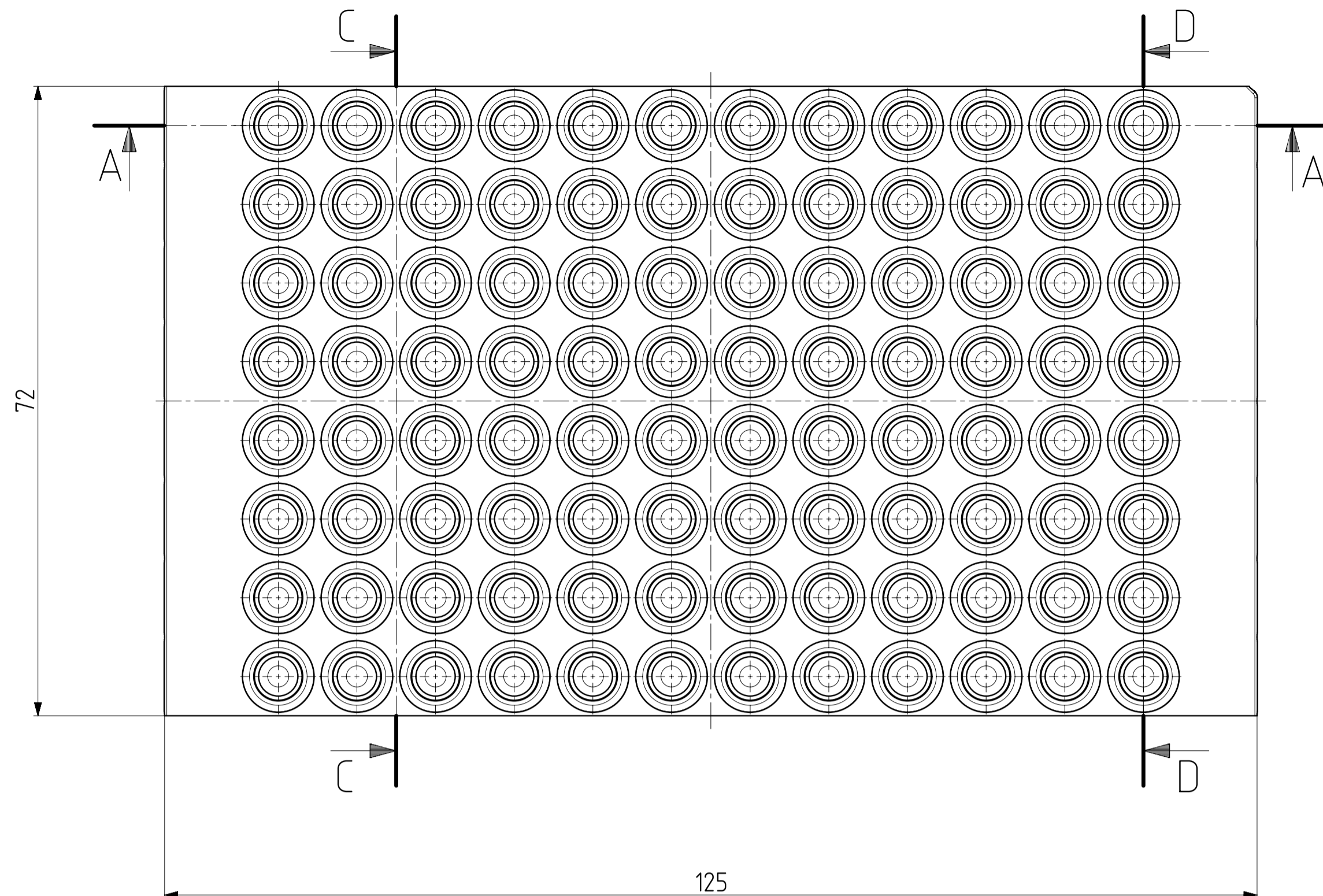
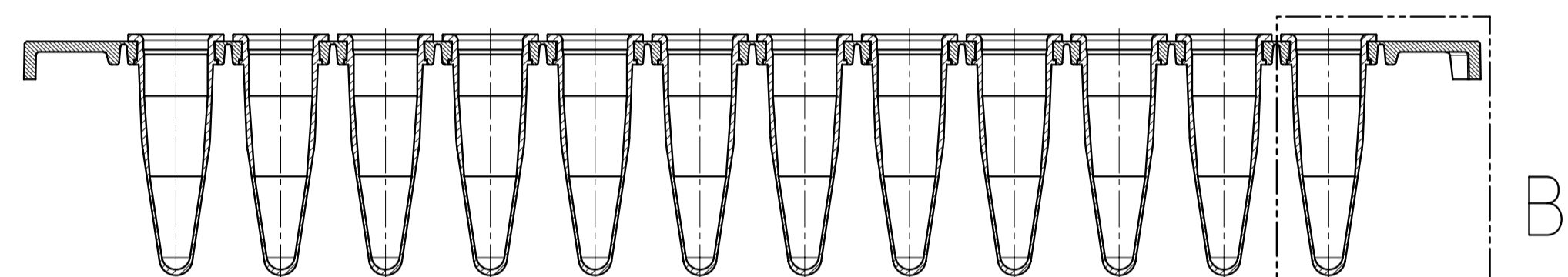
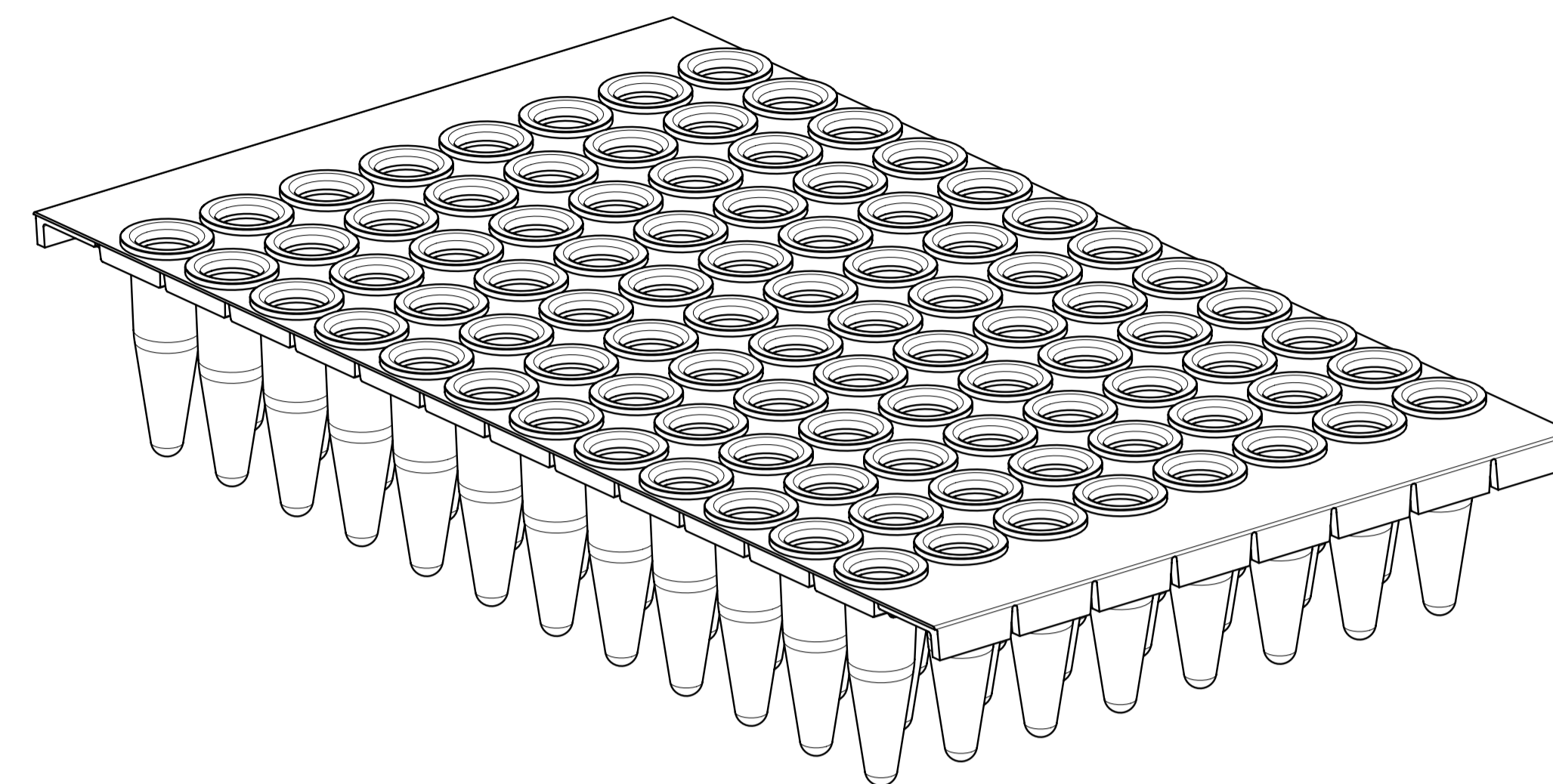


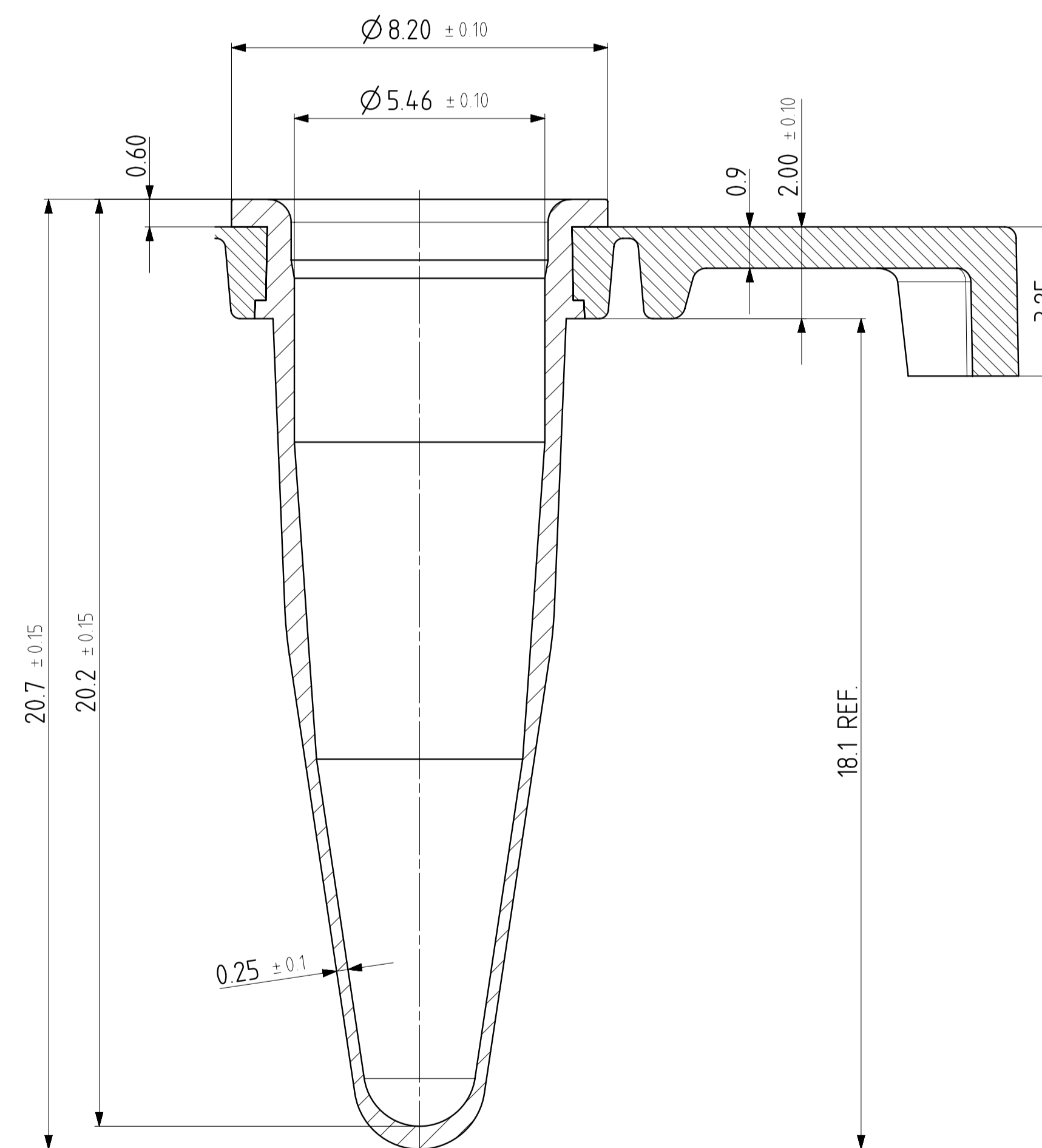
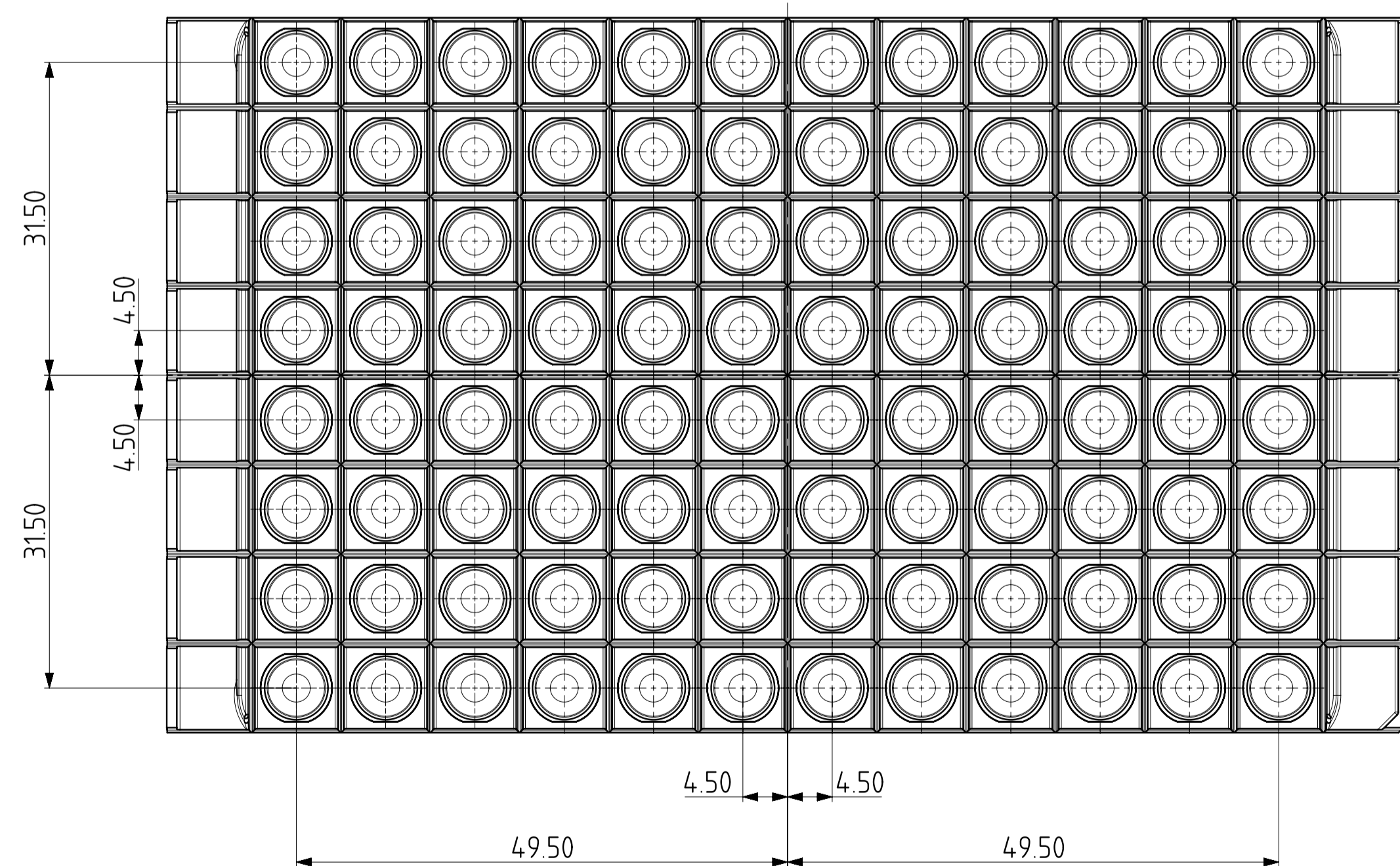
SECTION C-C



SECTION D-D



SECTION A-A

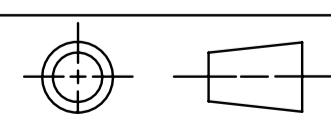


DETAIL B
SCALE 10:1

ISSUE	DATE	AMENDMENT



www.azenta.com



DO NOT SCALE

IF IN DOUBT ASK

CUSTOMER	DRAWN	ZE
CUSTOMER DRG No.	DATE	18.03.2016
MATERIAL: FRAME: Polycarbonate TUBES: Polypropylene	CHECKED	HO
TOLERANCES	DATE	
GENERAL TOLERANCES (UNLESS OTHERWISE STATED)	SCALE	

0 ±0.25
0.0 ±0.20
0.00 ±0.10
ANGULAR ±0°30'
(ALL DIMENSIONS IN MILLIMETRES)

TITLE	FrameStar® Break2Way Standard Profile Two direction grooves Marketing drawing	
DRAWING No.	4ti-1300	
SHEET No.	1 OF 1	ISSUE A