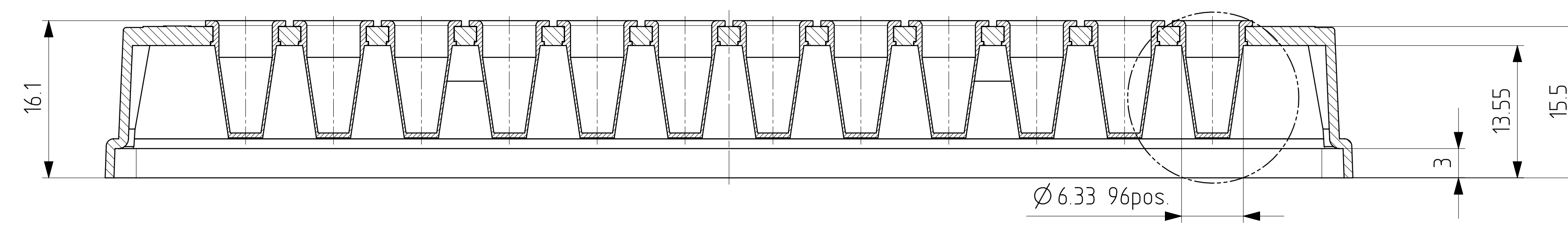
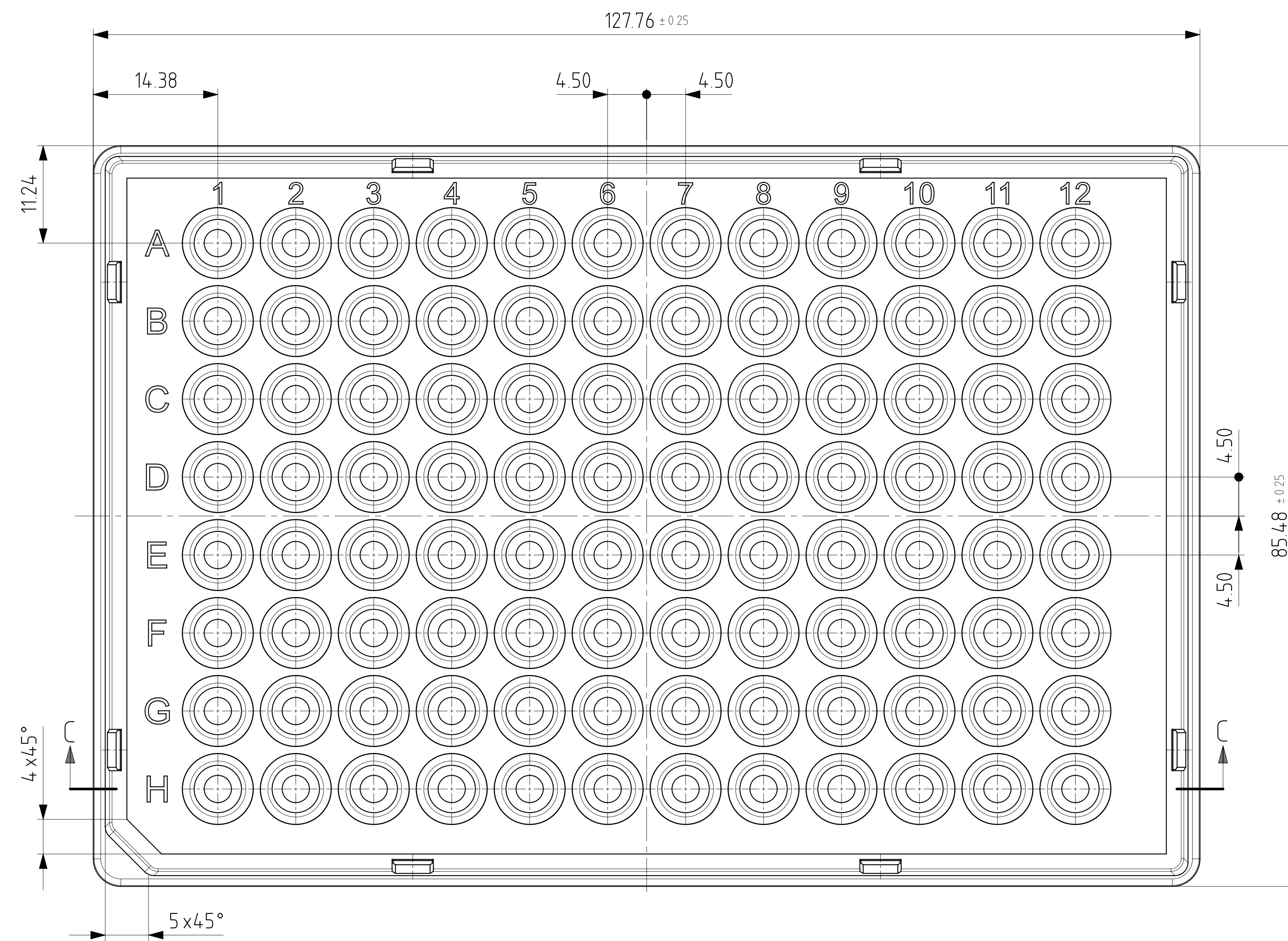
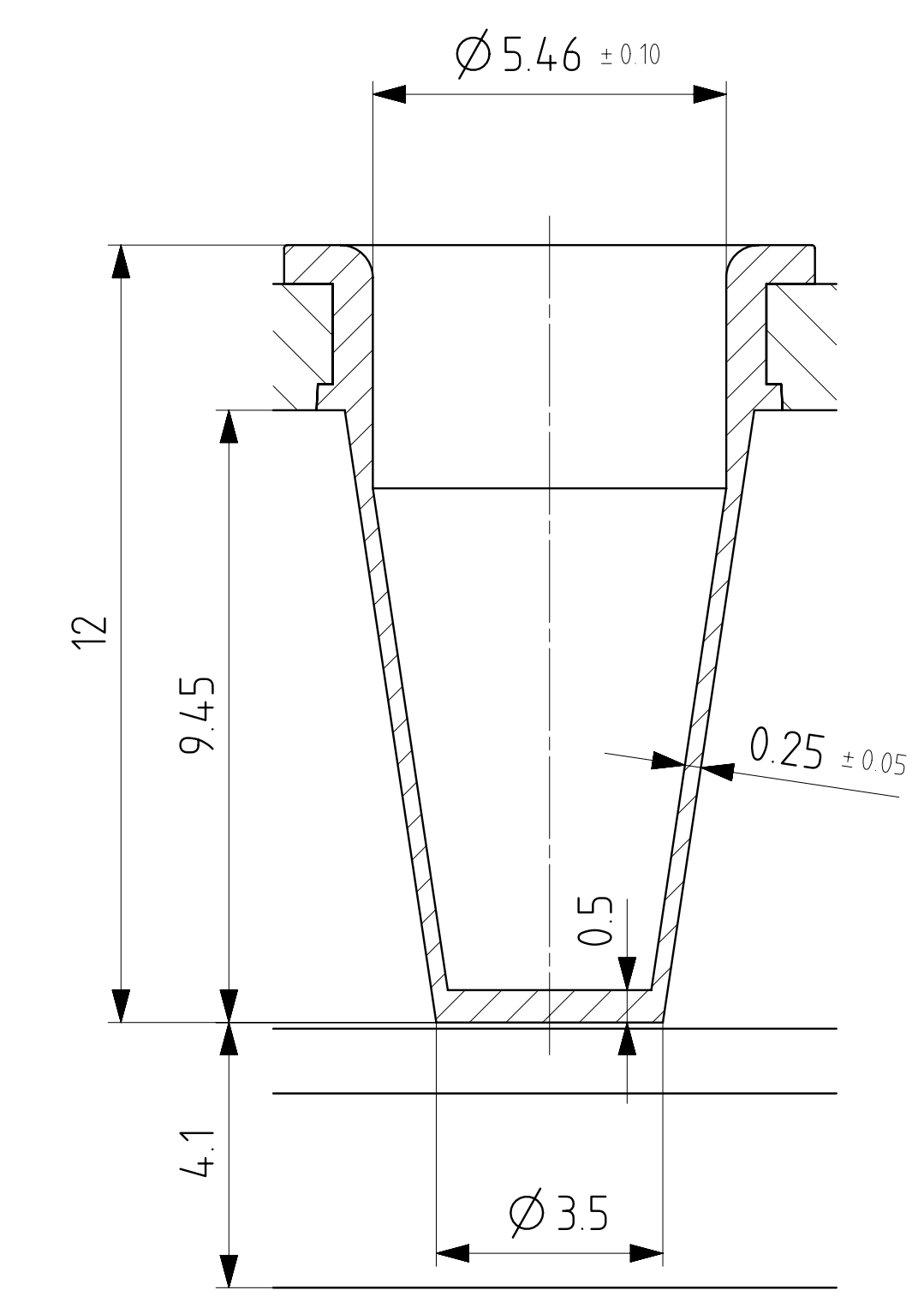


This drawing and/or any technical information relating to it is issued in strict confidence and may not be reproduced or used for manufacture without written permission. Upon receipt of which it is the users responsibility to seek confirmation of any dimensions and production tolerances.



SECTION C-C



VIAL FORM 96pos.
SCALE 10:1

ISSUE	DATE	AMENDMENT	ISSUE	DATE	AMENDMENT
A	05.07.2018	Original drawing			



DO NOT SCALE
IF IN DOUBT ASK

CUSTOMER	DRAWN	ZE
CUSTOMER DRG. No.	DATE	05.07.2018
MATERIAL Frame: PC, Tubes: PP	CHECKED	JB
TOLERANCES	DATE	
GENERAL TOLERANCES (UNLESS OTHERWISE STATED)	SCALE	
0 ±0.20 0.05 ±0.05 0.10 ±0.05 ANGULAR ±0.30° (ALL DIMENSIONS IN MILLIMETRES)		

TITLE	0960 standard frame with optical tubes	
	MARKETING DRAWING	
DRAWING No.	4ti-0970	
SHEET No.	1 OF 1	ISSUE A