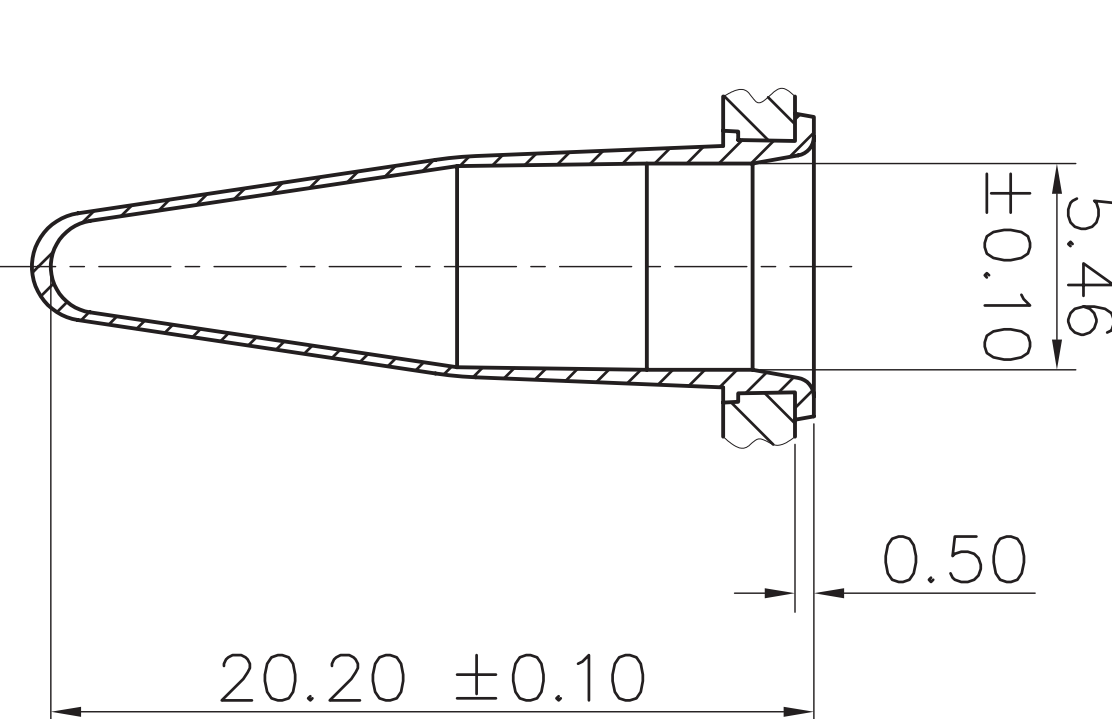
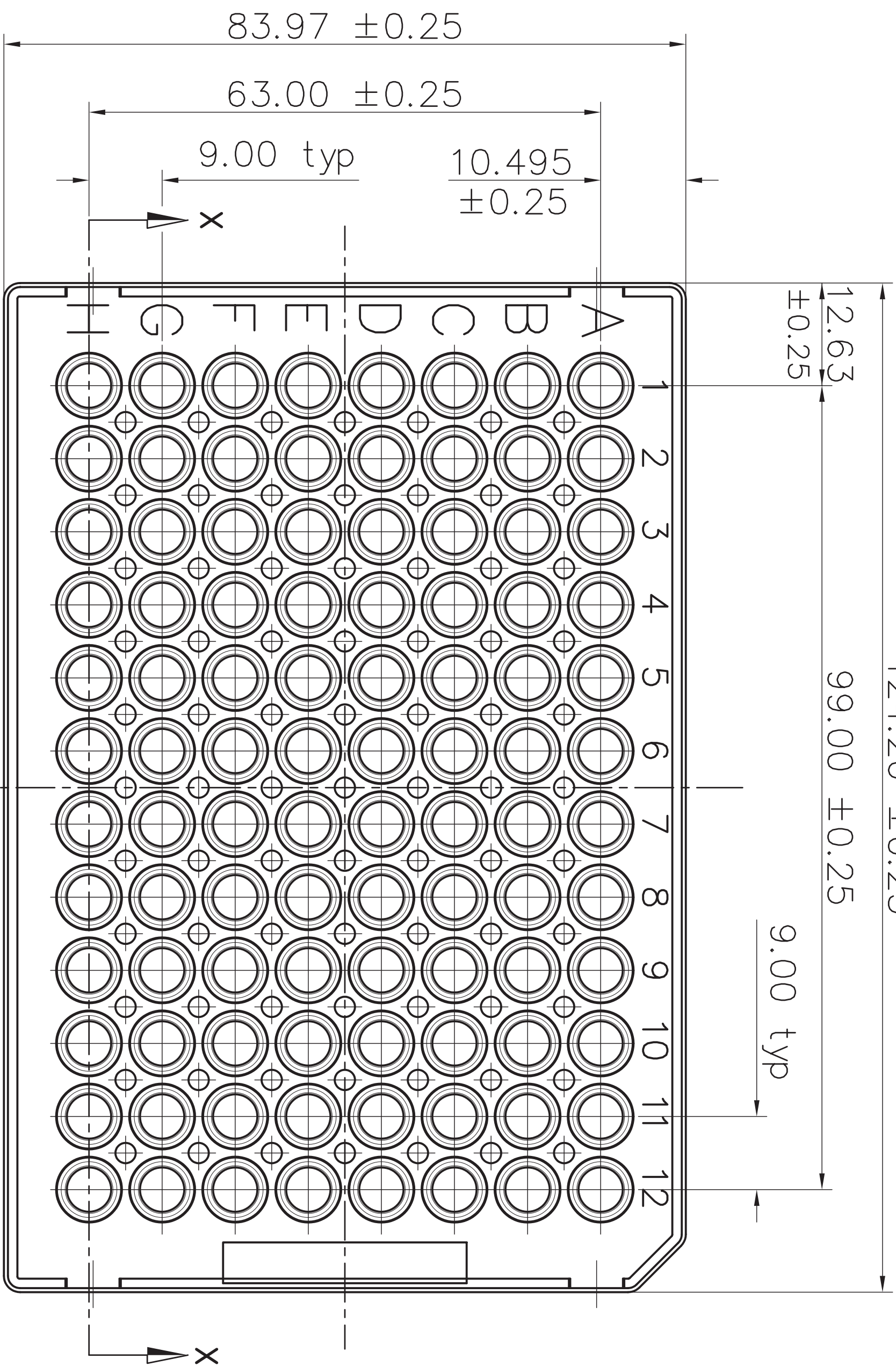
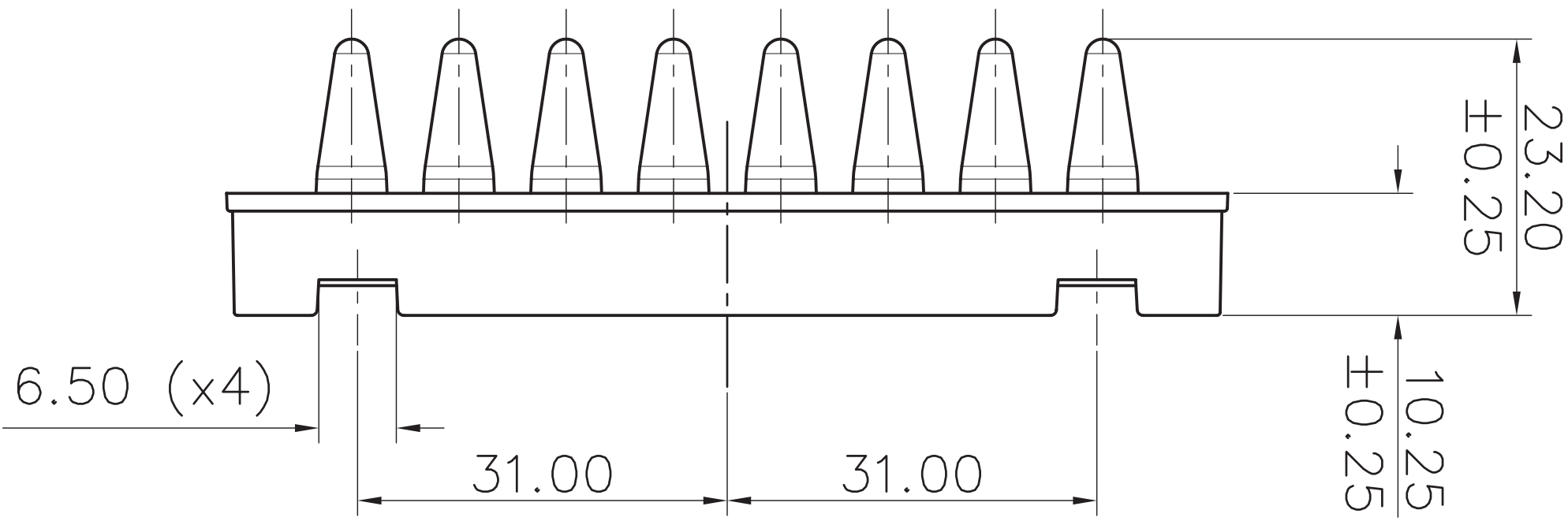
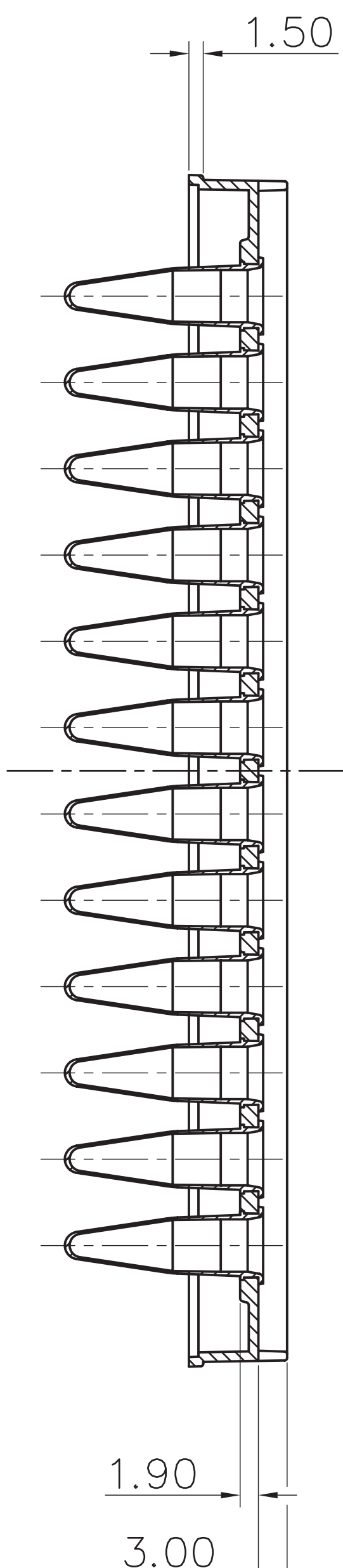


NOT TO SCALE
124.26 ±0.25

This drawing and/or any technical information relating to it is issued in strict confidence and may not be reproduced or used for manufacture without written permission. Upon receipt of which it is the users responsibility to seek confirmation of any dimensions and production tolerances.



VIAL FORM 96pos



SECTION X-X

All dimensions in millimetres

AZENTA
LIFE SCIENCES

www.azenta.com

TITLE:	4ti-0730		
DATE:	16/7/07	SHEET No.:	1 OF 1
ISSUE:	A		