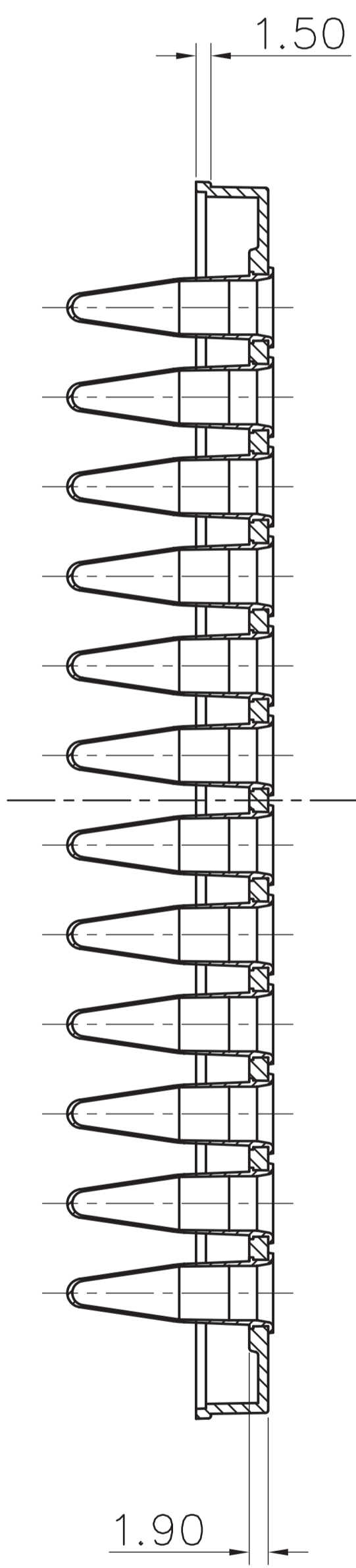
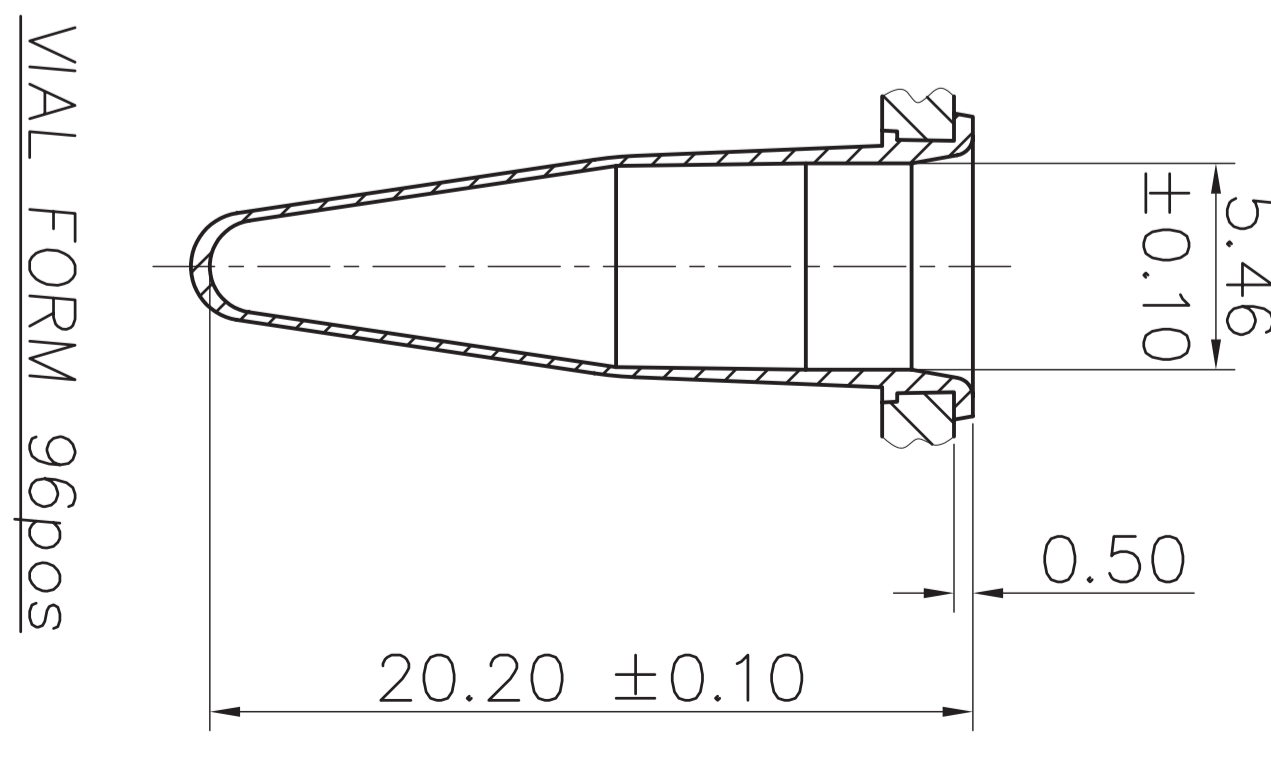
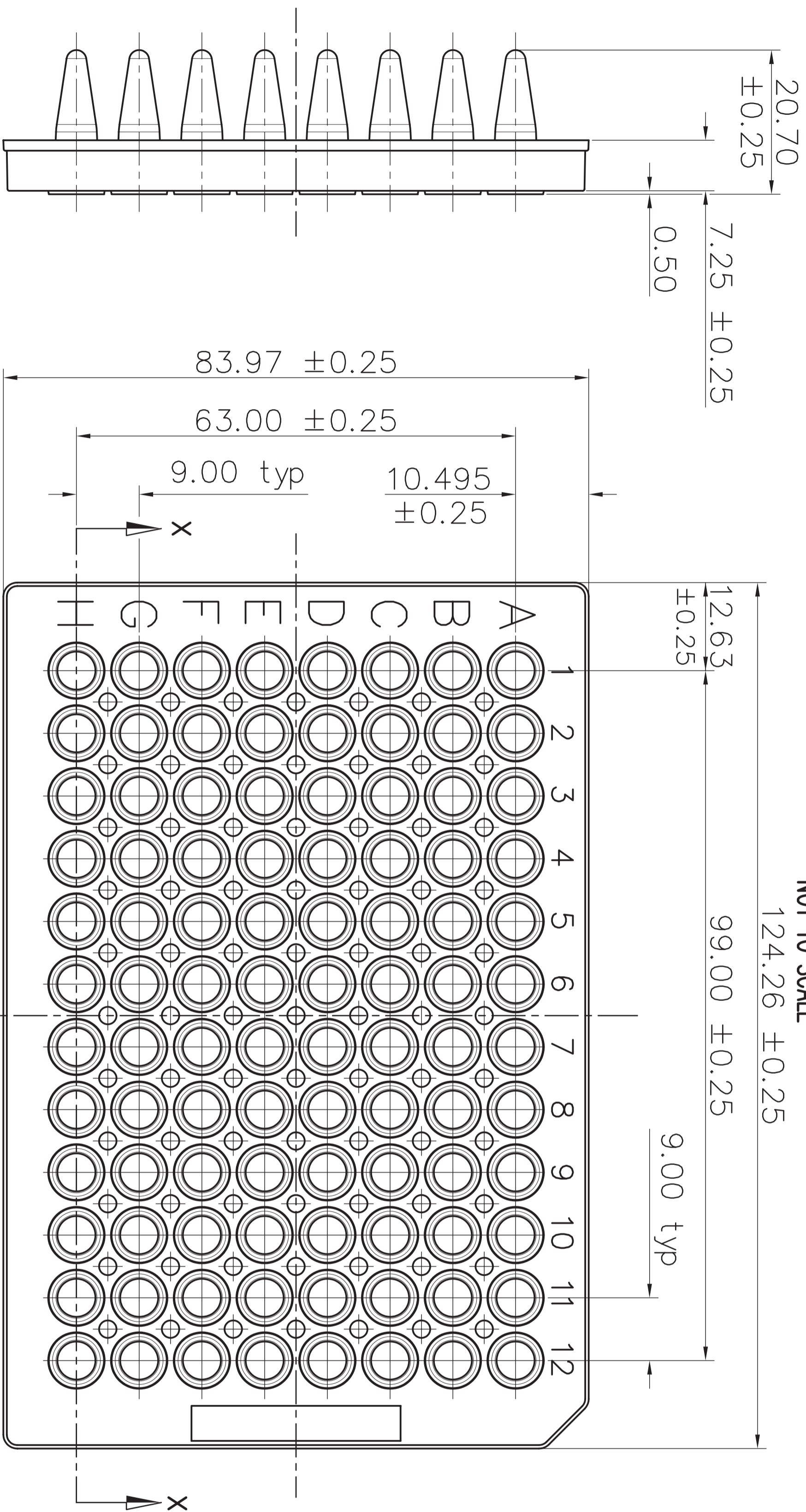


NOT TO SCALE
124.26 ±0.25

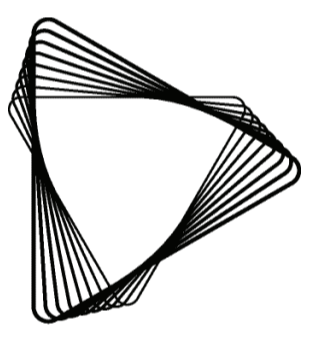
This drawing and/or any technical information relating to it is issued in strict confidence and may not be reproduced or used for manufacture without written permission. Upon receipt of which it is the users responsibility to seek confirmation of any dimensions and production tolerances.



SECTION X-X

TITLE:

4ti-0770



AZENTA
LIFE SCIENCES

All dimensions in millimetres

www.azenta.com

DATE: 17/11/08

SHEET No.: 1 OF 1

ISSUE: A