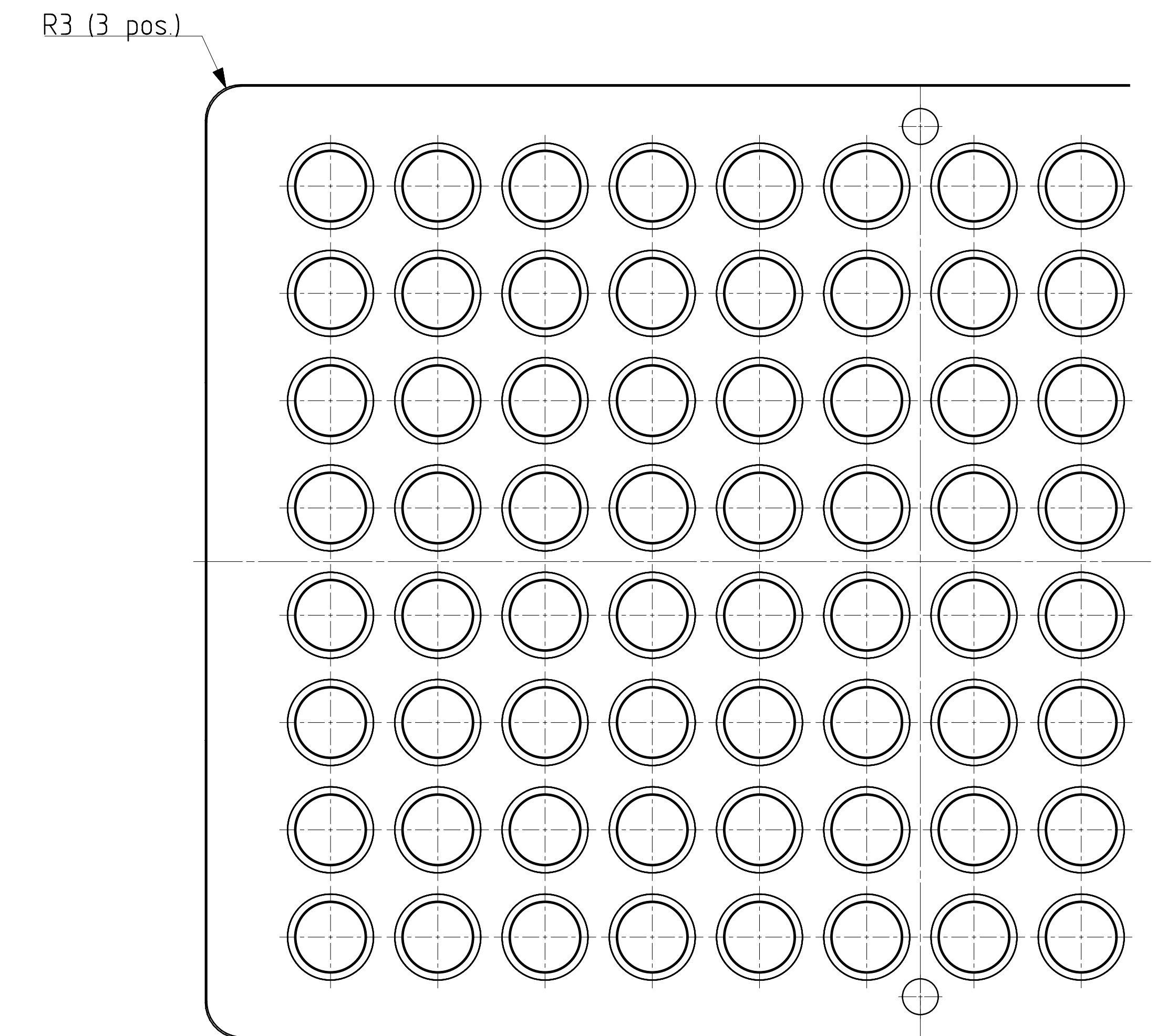
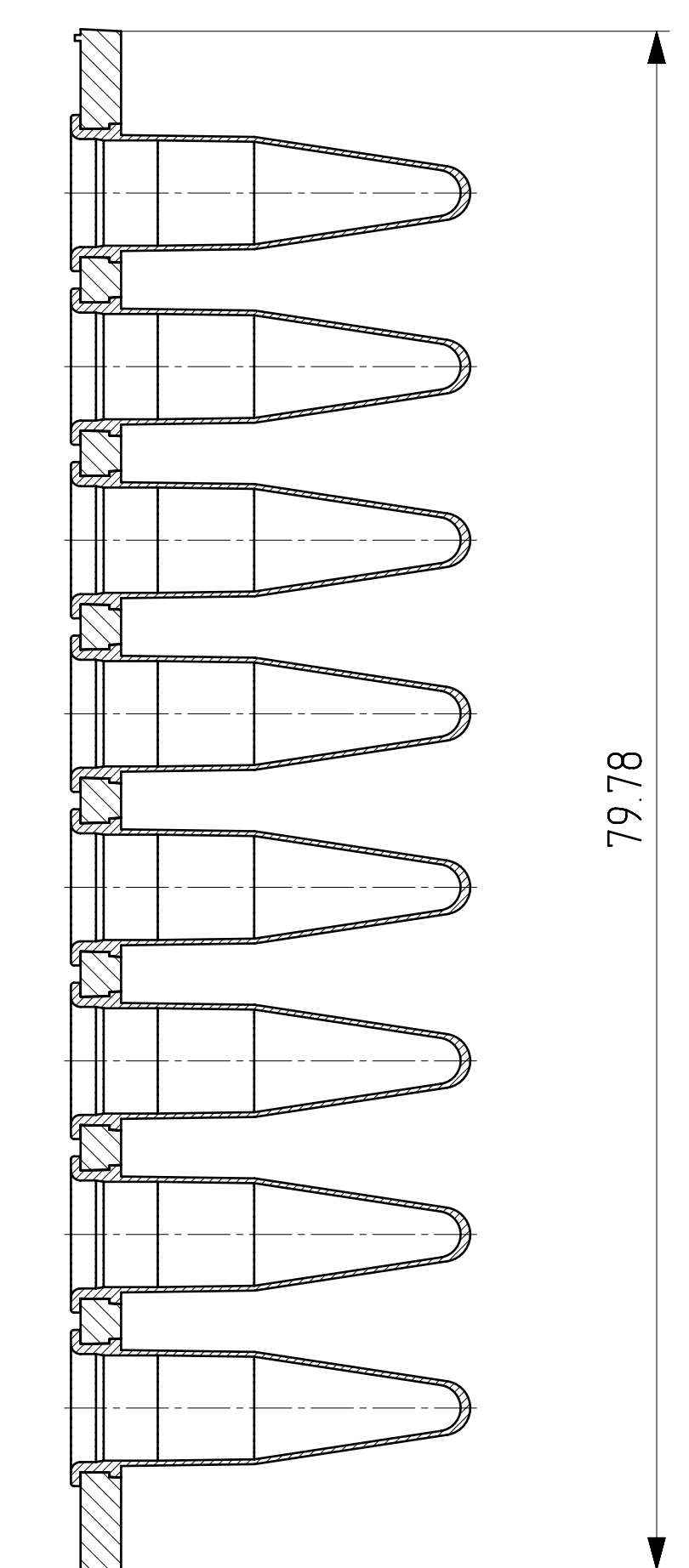
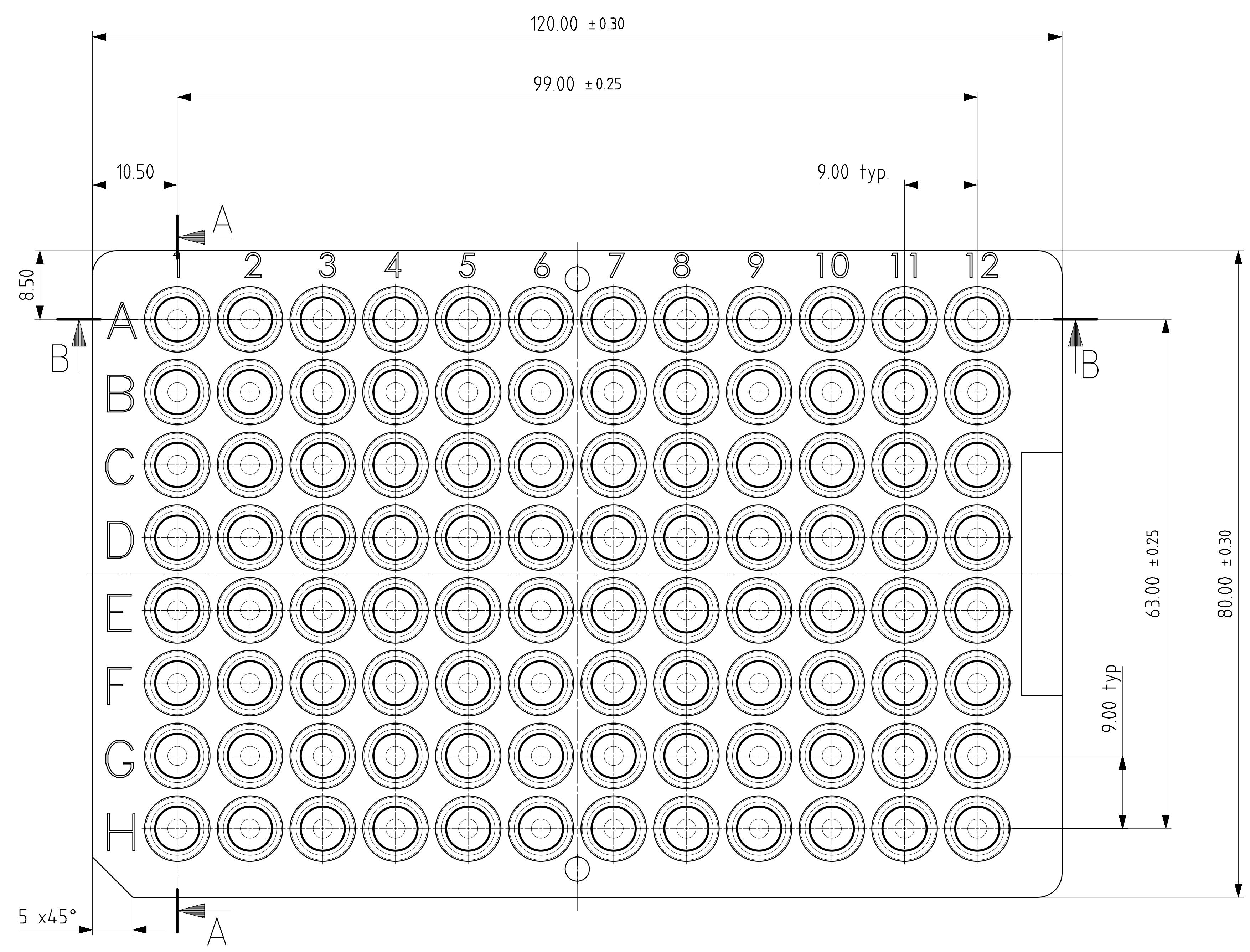
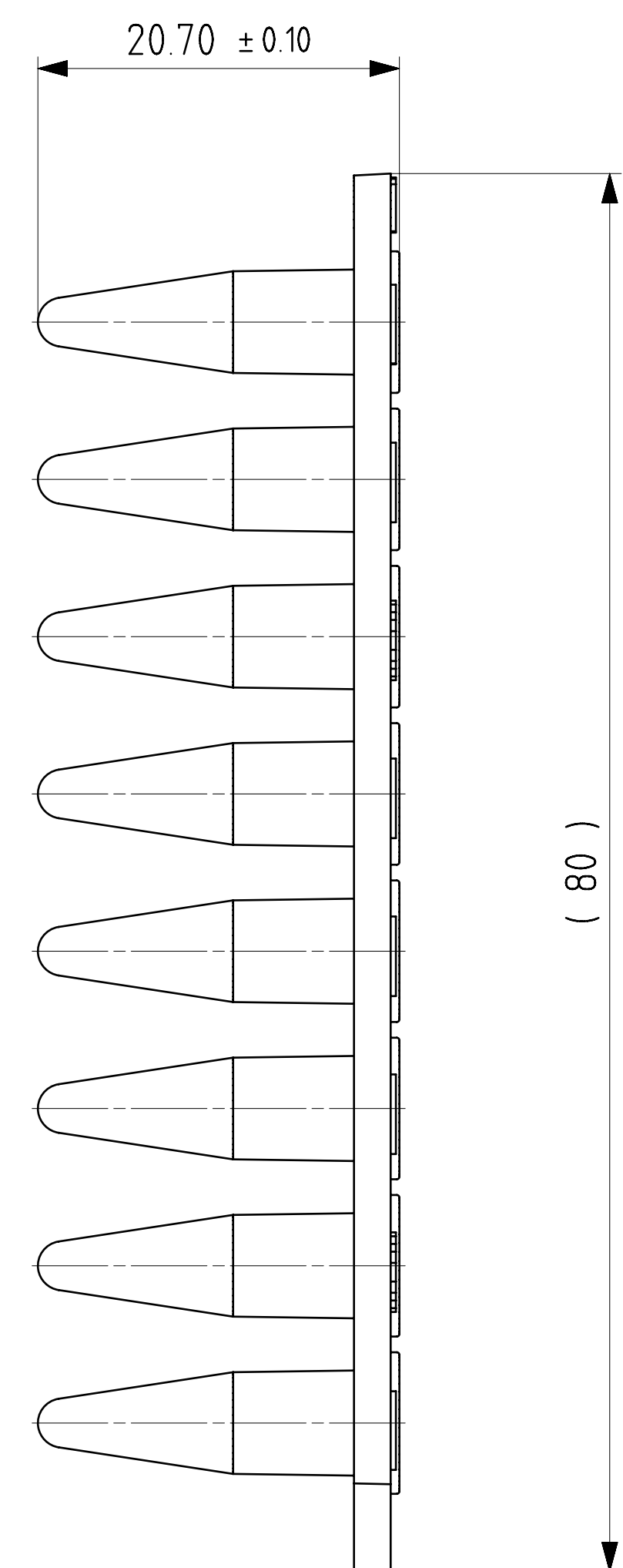
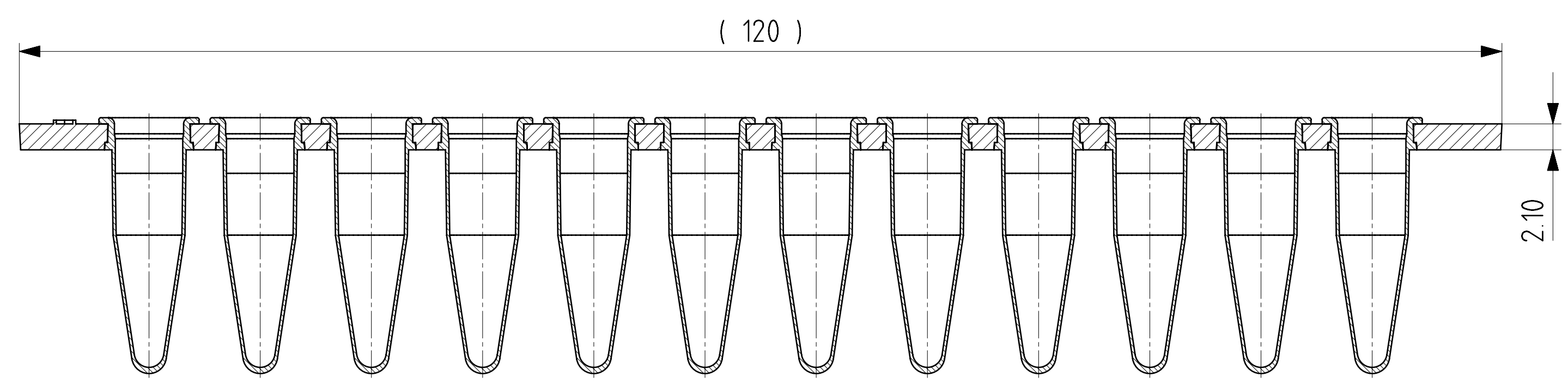


This drawing and/or any technical information relating to it is issued in strict confidence and may not be reproduced or used for manufacture without written permission. Sign recall of which it is the users responsibility to seek confirmation of any dimensions and production tolerances.

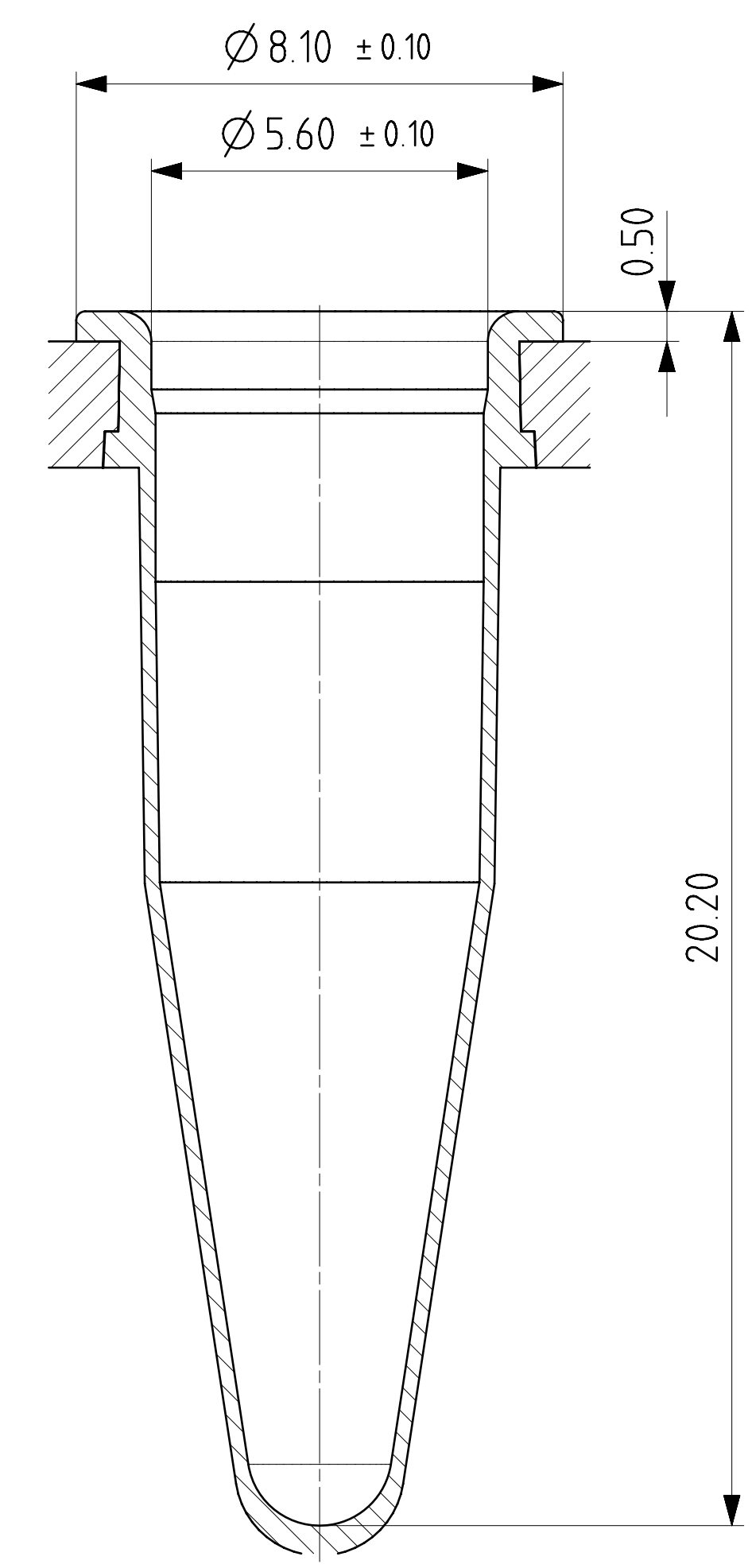
A0 1 2 3 4 5 6 A B C D E F G H I



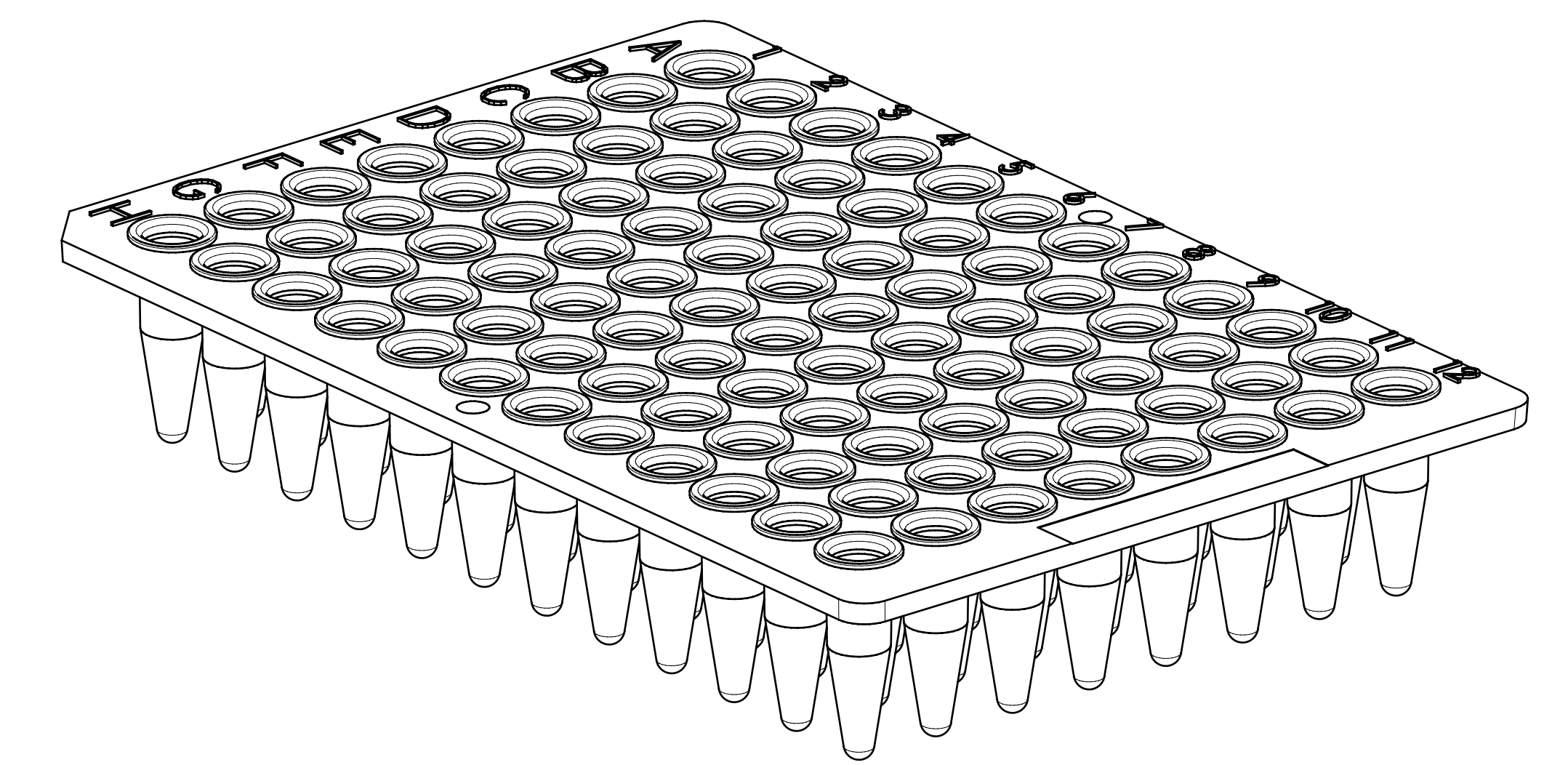
SECTION A-A



SECTION B-B



SCALE 10:1
VIAL FORM 96 pos



ISSUE	DATE	AMENDMENT	ISSUE	DATE	AMENDMENT



DO NOT SCALE
IF IN DOUBT ASK

CUSTOMER		ISSUE	
CUSTOMER DRG No		DATE	
MATERIAL	FRAME: Polycarbonate, TUBES: Polypropylene	CHECKED	JAMES B.
TOLERANCES	0 ± 0.25 0.0 ± 0.20 0.00 ± 0.10 ANGULAR ± 0.30° (ALL DIMENSIONS IN MILLIMETRES)	DATE	
GENERAL TOLERANCES (UNLESS OTHERWISE STATED)		SCALE	

DRAWN	ZOLTAN E.
DATE	19.06.2014
CHECKED	JAMES B.
DATE	
SCALE	

TITLE	FrameStar 96well new non-skirted PCR plate
DRAWING No	4ti-0710/NEW
SHEET No	1 OF 1
ISSUE	A