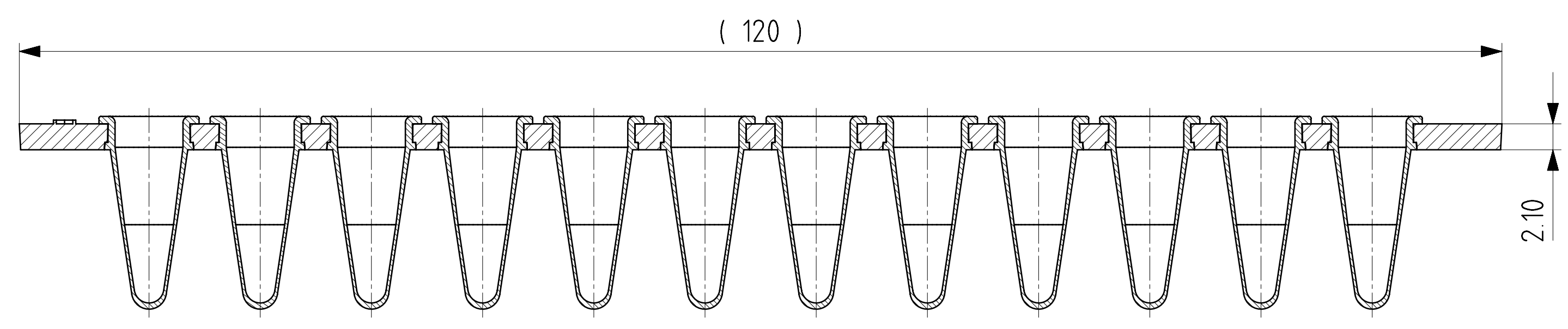
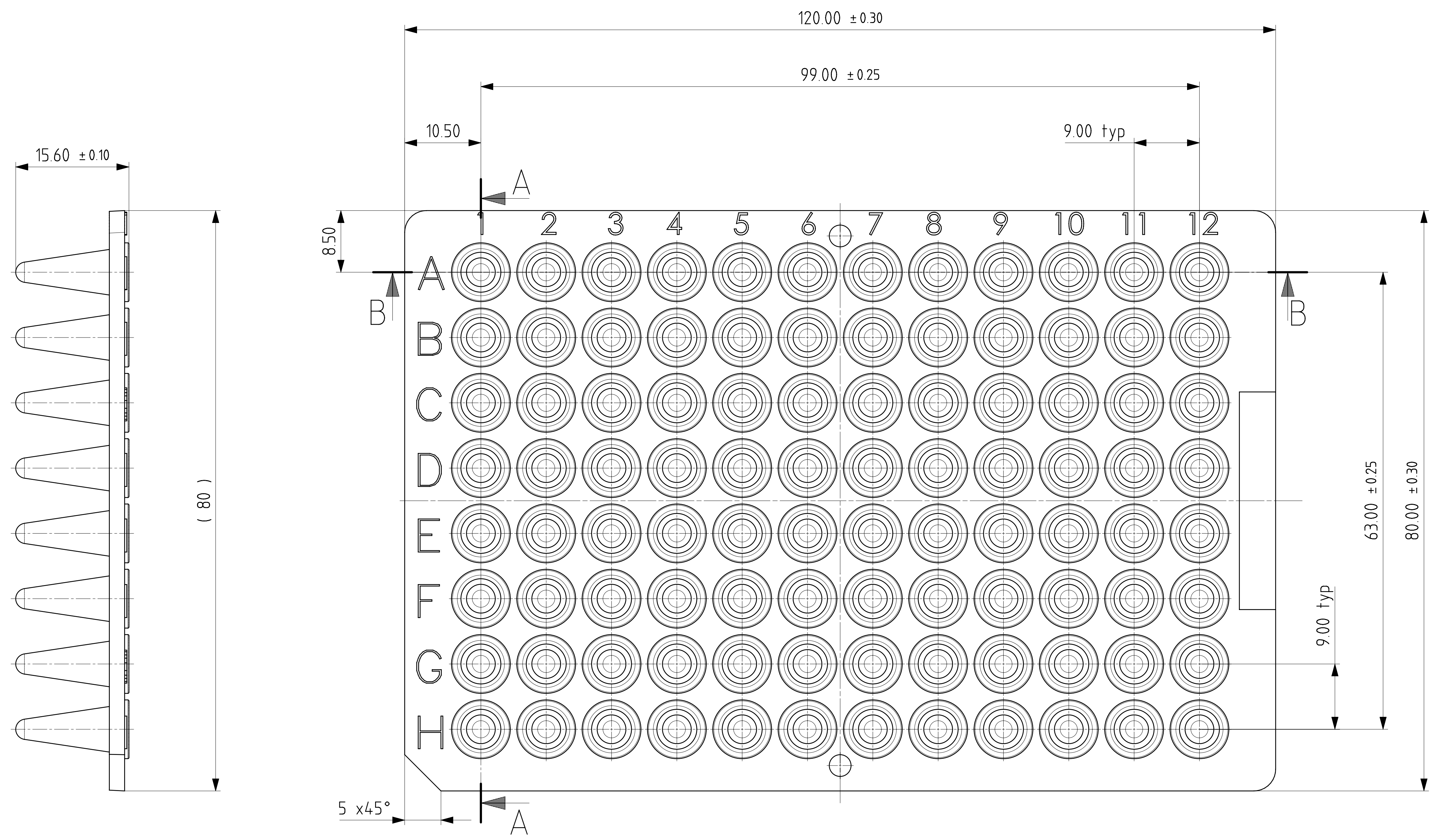
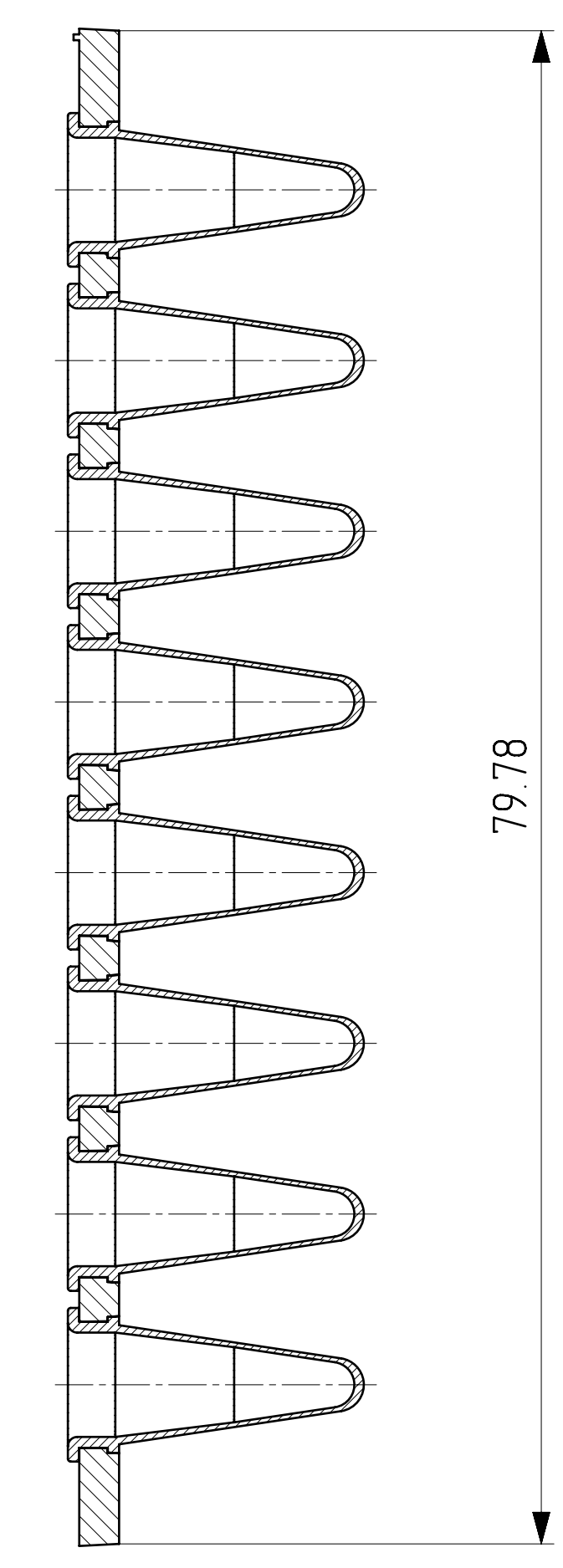


This drawing and/or any technical information relating to it is issued in strict confidence and may not be reproduced or used for manufacture without written permission. Sign reveal of which it is the users responsibility to seek confirmation of any dimensions and production tolerances.

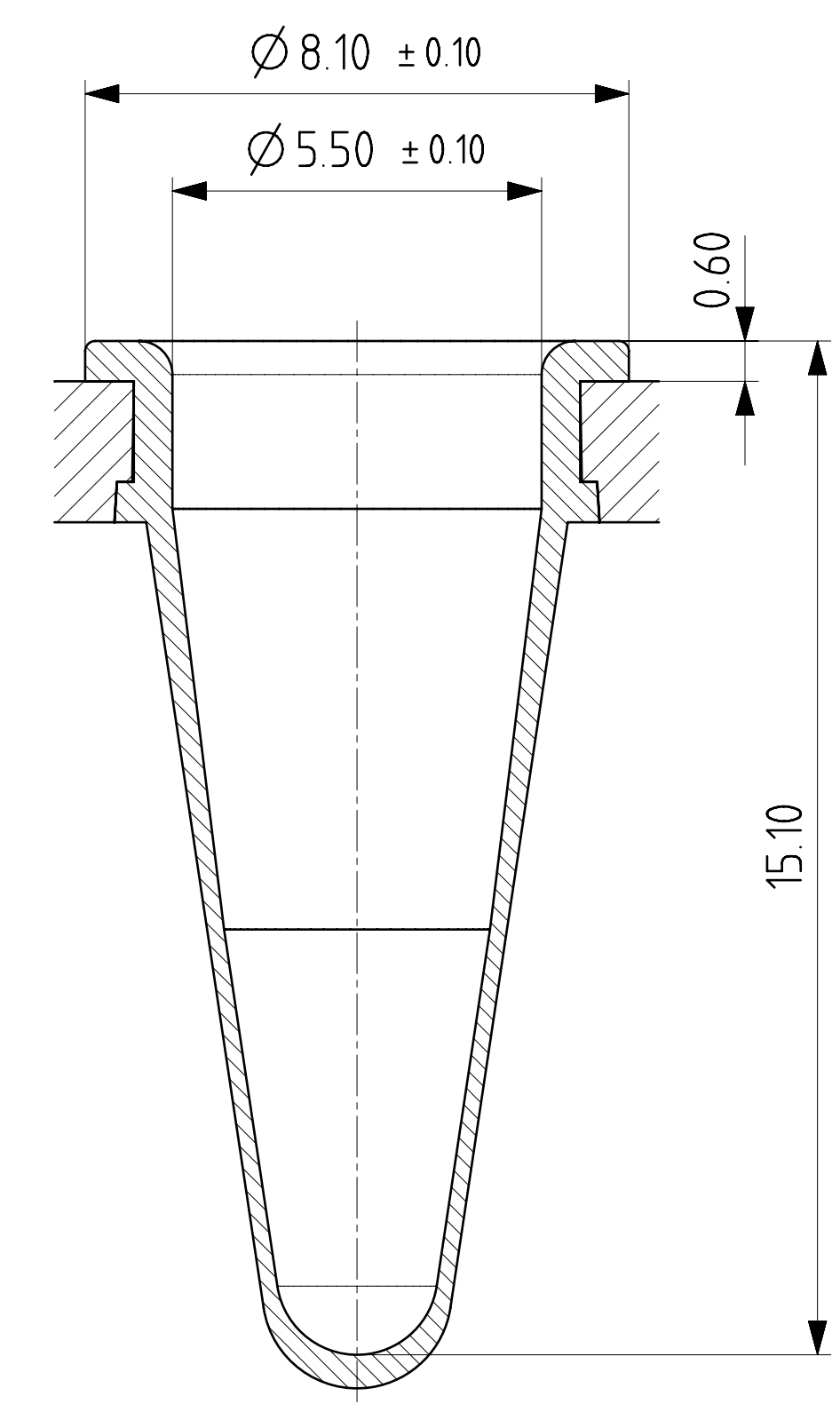
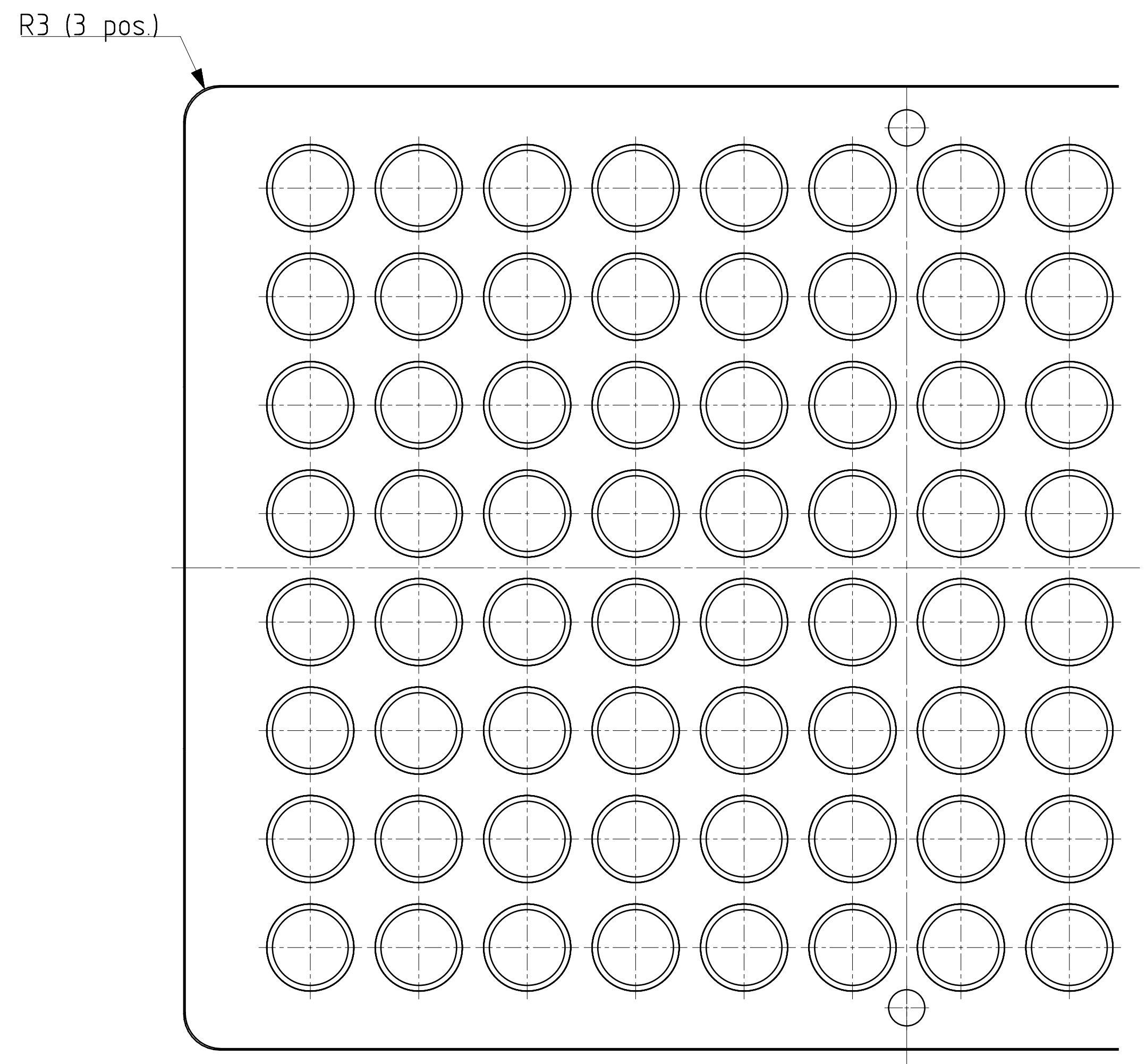
A0 1 2 3 4 5 6



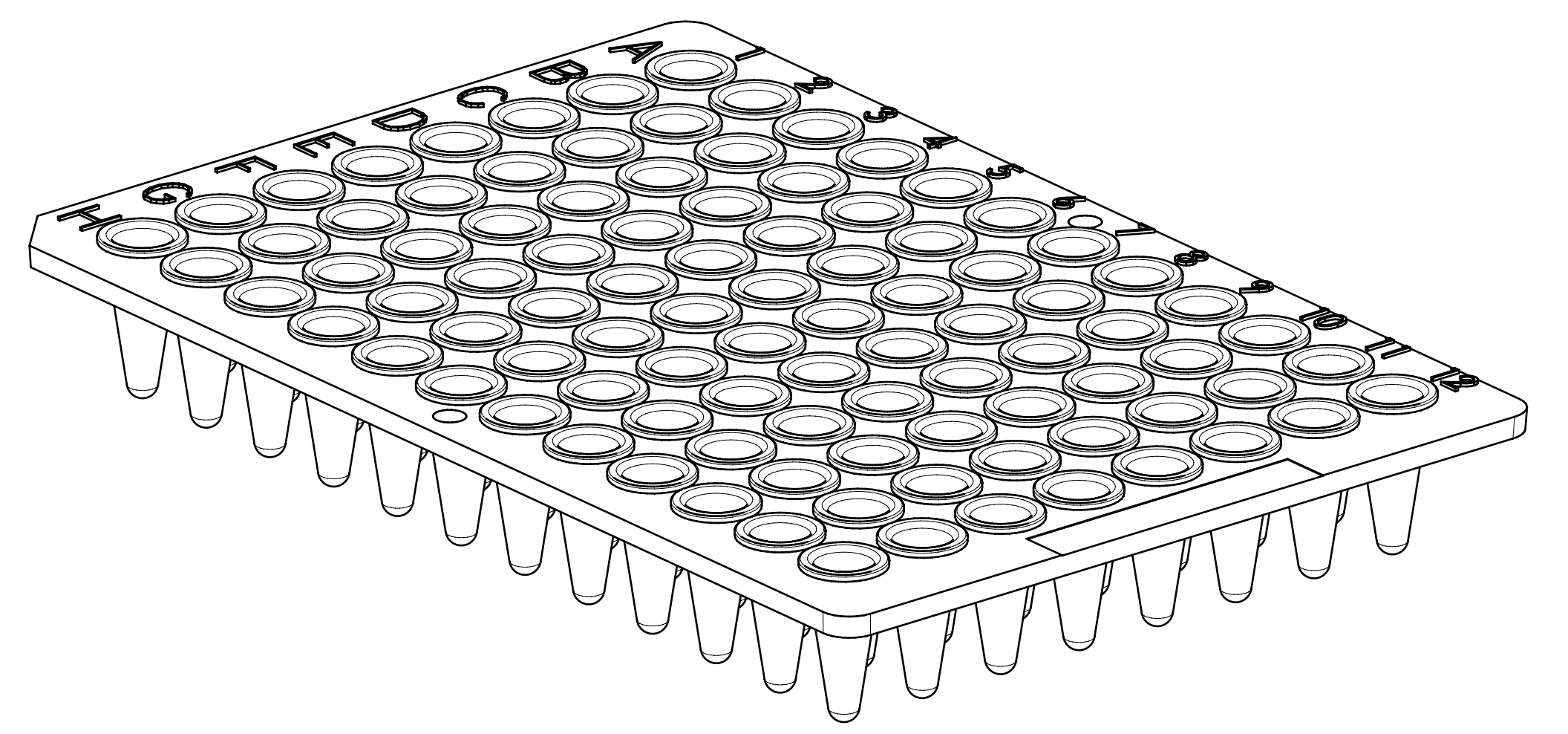
SECTION B-B



SECTION A-A



SCALE 10:1
VIAL FORM 96 pos



ISSUE	DATE	AMENDMENT	ISSUE	DATE	AMENDMENT



DO NOT SCALE
IF IN DOUBT ASK

CUSTOMER	CUSTOMER DRG. No.	ISSUE	DATE
MATERIAL	FRAME: Polycarbonate , TUBES: Polypropylene	CHECKED	DATE
TOLERANCES	0 ± 0.25 0.0 ± 0.20 0.00 ± 0.10	SCALE	DATE
GENERAL TOLERANCES (UNLESS OTHERWISE STATED)	ANGULAR ± 0.30° (ALL DIMENSIONS IN MILLIMETRES)		

DRAWN	ZOLTAN E.	TITLE	FrameStar 96well new non-skirted low profile PCR plate
CHECKED	JAMES B.	DRAWING No.	4ti-0720/NEW
		SHEET No.	1 OF 1
		ISSUE	A