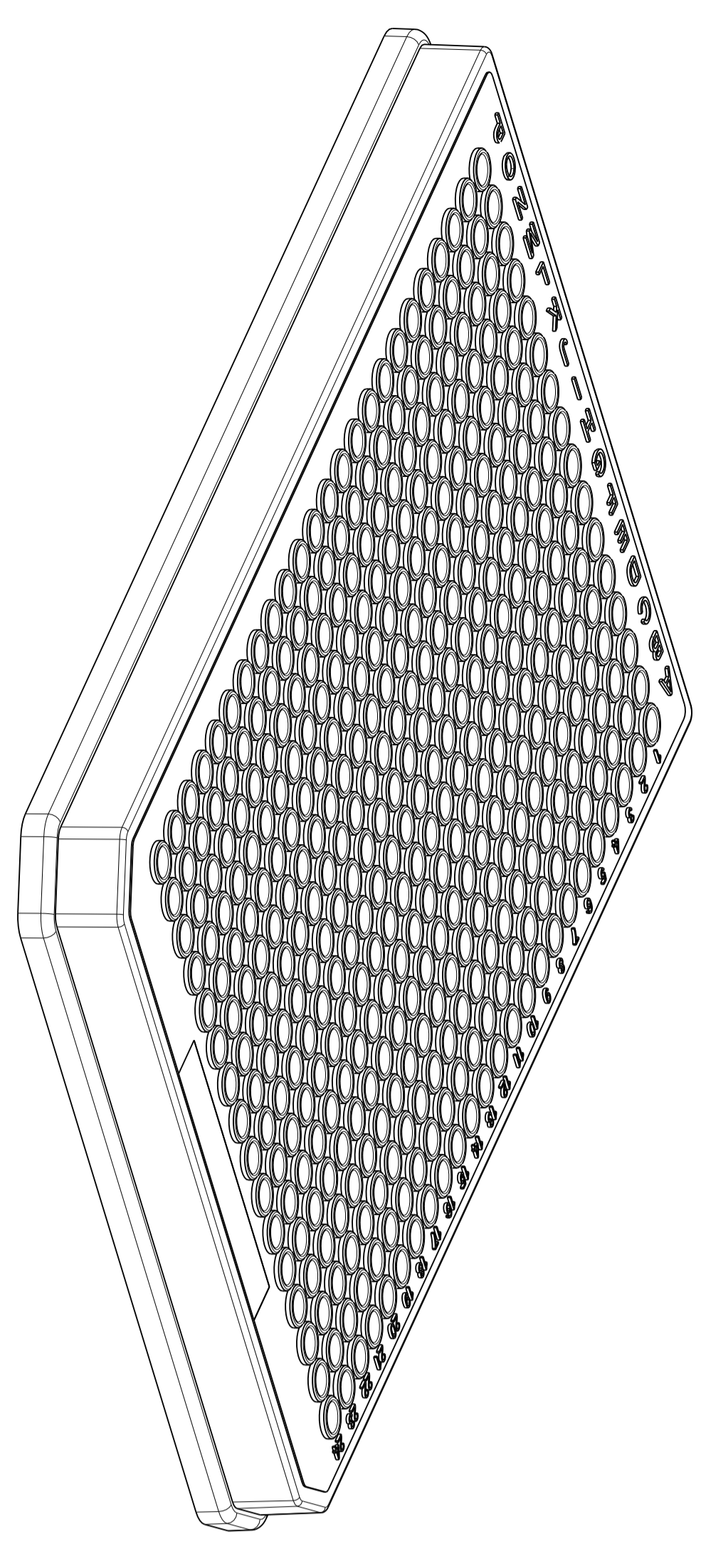
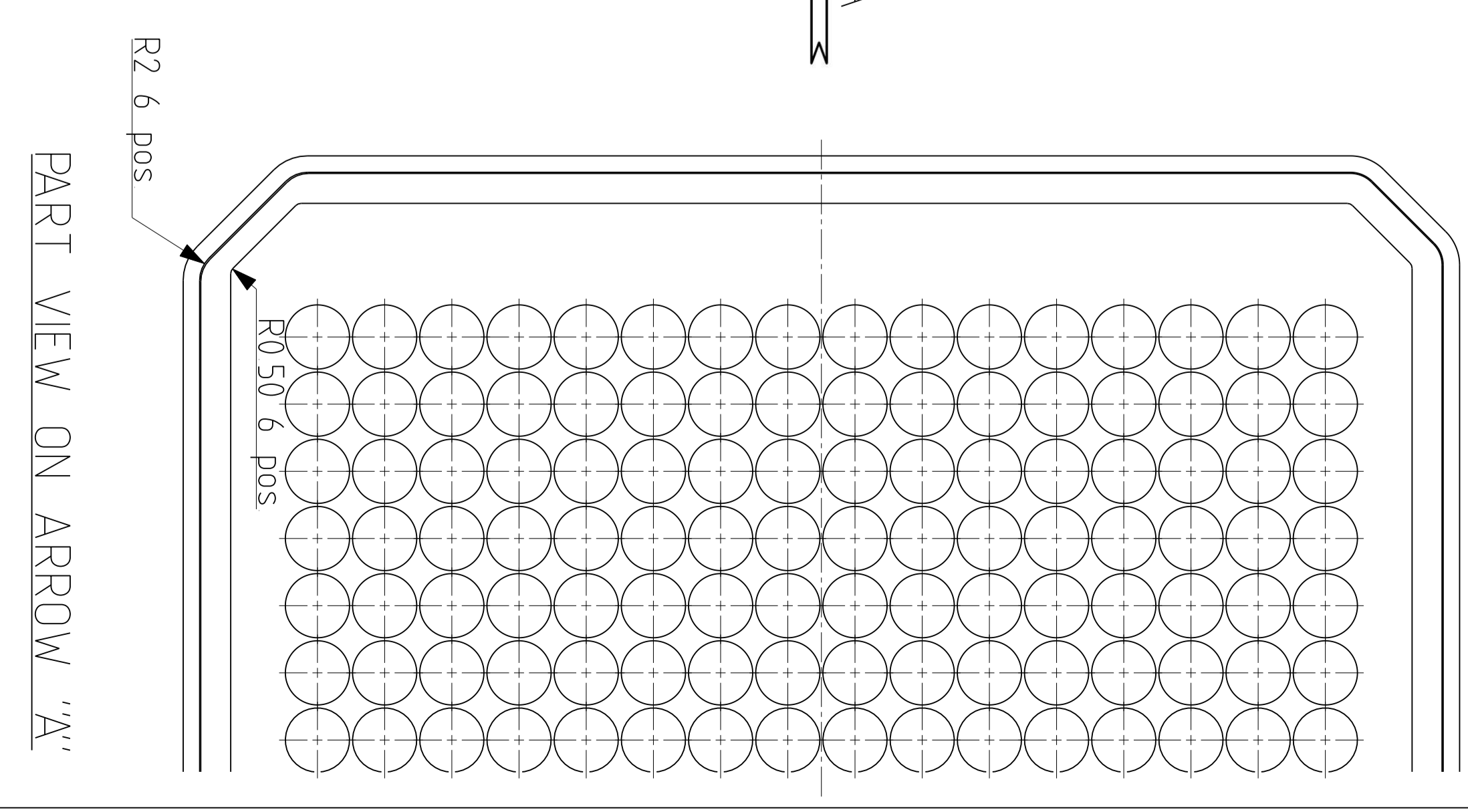
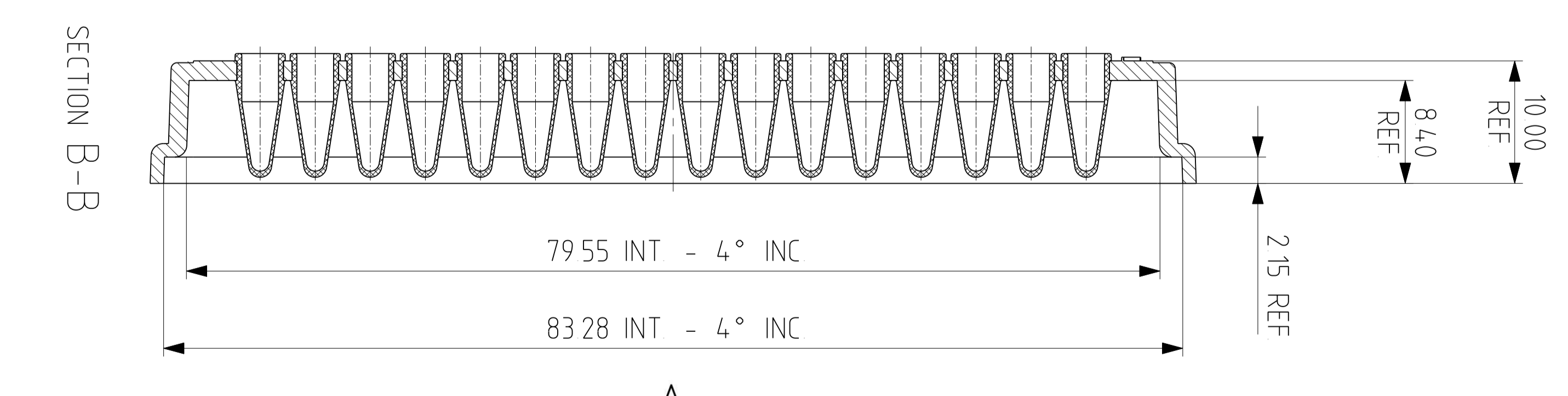
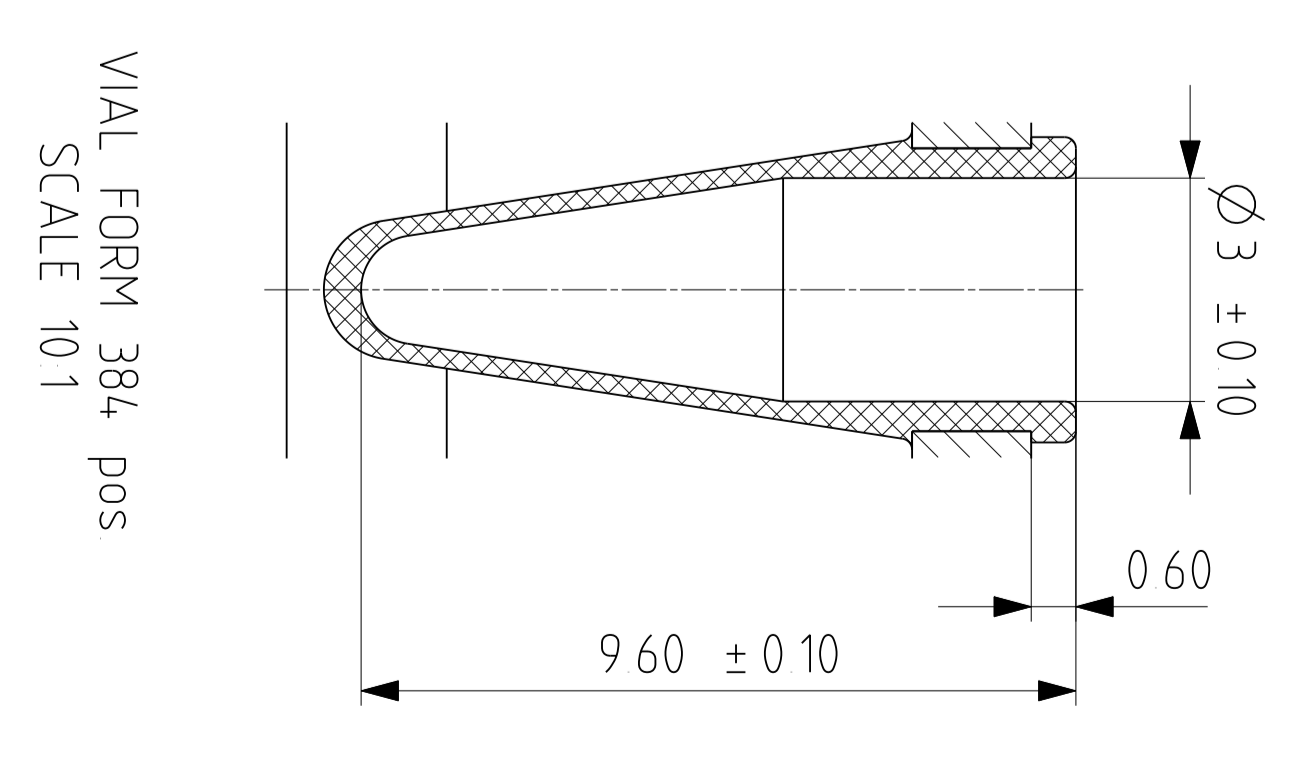
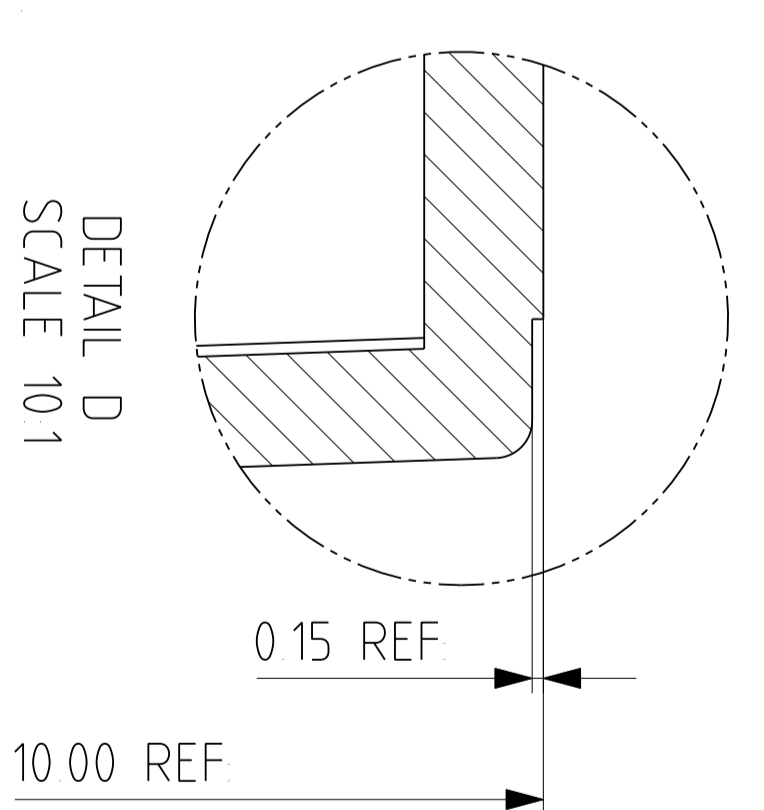
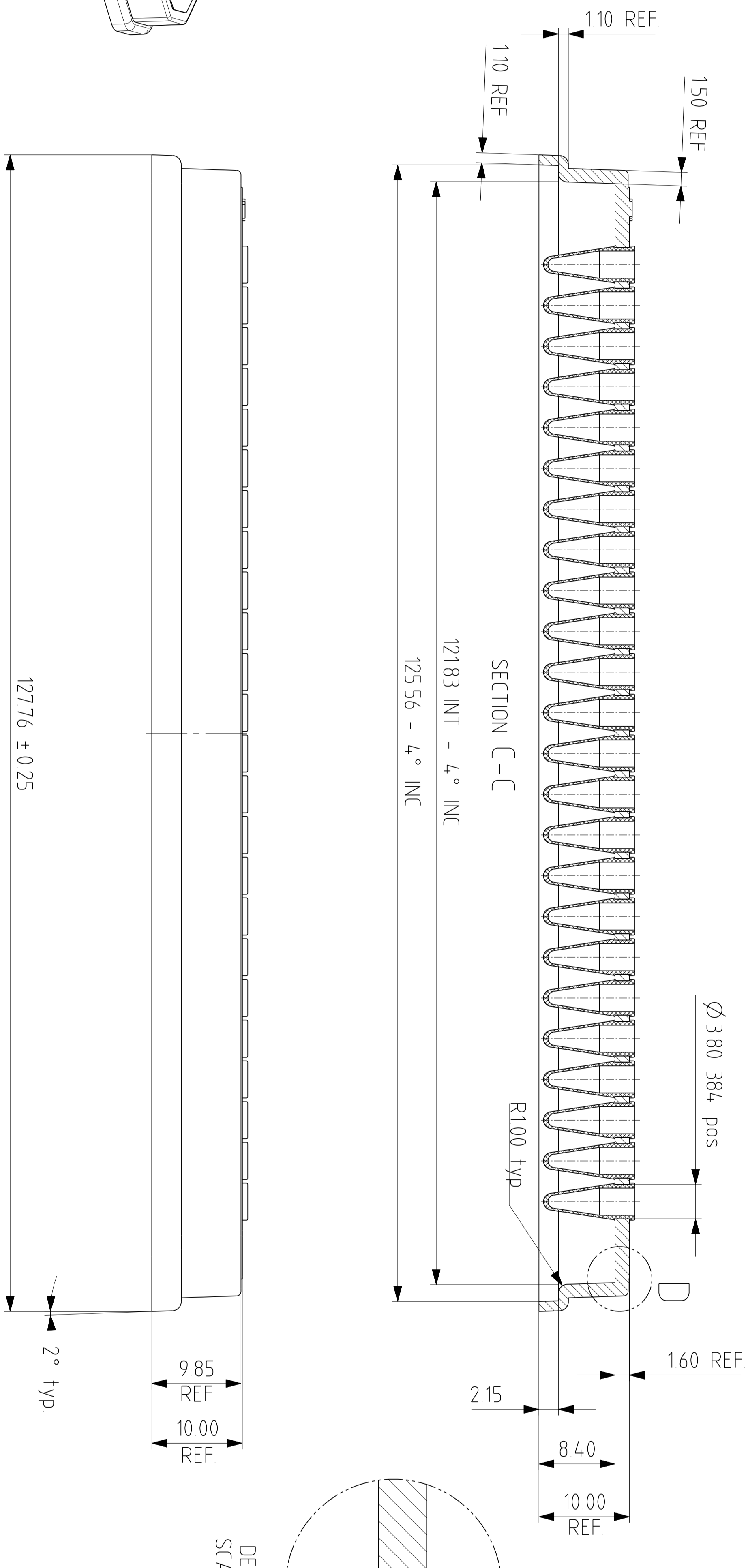


THIS AREA TO BE INSERTED ON THE TOOL TO ALLOW THE CUSTOMER'S NAME TO BE ENGRAVED IF REQUESTED



M 21



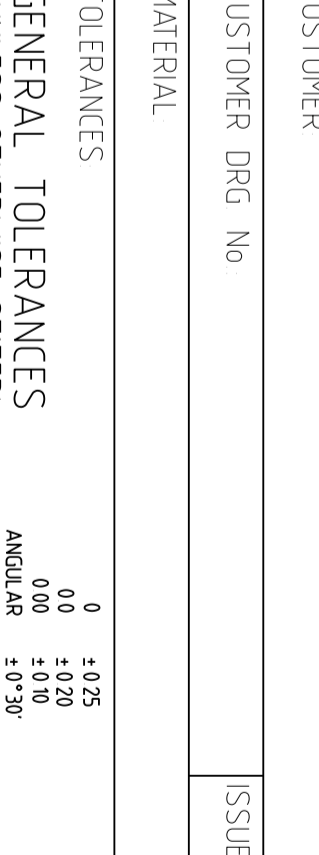
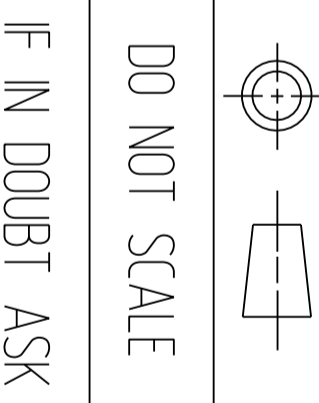
NOTE
 1. SURFACE FINISH TO BE SMOOTH HIGH GLOSS - POLISHED ON TOOL.
 2. SIDE WALL BOWING ALLOWED INWARDS ONLY UP TO A MAXIMUM 0.25

REV	DATE	DESCRIPTION	SCALE	DATE	REVISION
1	24.11.2011	FrameStar 480, 384well PCR plate, clear wells, clear frame	DO NOT SCALE	24.11.2011	ZOLTAN E
2	24.11.2011	FrameStar 480, 384well PCR plate, white wells, clear frame	DO NOT SCALE	24.11.2011	PETER C
3	24.11.2011	FrameStar 480, 384well PCR plate, white wells, clear frame	DO NOT SCALE	24.11.2011	PETER C
4	24.11.2011	FrameStar 480, 384well PCR plate, white wells, clear frame	DO NOT SCALE	24.11.2011	PETER C
5	24.11.2011	FrameStar 480, 384well PCR plate, white wells, clear frame	DO NOT SCALE	24.11.2011	PETER C
6	24.11.2011	FrameStar 480, 384well PCR plate, white wells, clear frame	DO NOT SCALE	24.11.2011	PETER C

Code	Description	Plates/Case
441-0380/C	FrameStar® 480, 384well PCR plate, clear wells, clear frame	50
441-0381	FrameStar® 480, 384well PCR plate, white wells, clear frame	50
441-0382	=441-0381 + 50 qPCR adhesive seals (441-0560)	50
441-0383	=441-0380/C + 50 qPCR adhesive seals (441-0560)	50

CUSTOMER	ISSUE	DRAWN	TITLE
DO NOT SCALE	24.11.2011	ZOLTAN E	FrameStar 480/384
IF IN DOUBT ASK		PETER C	for Roche LightCycler 480

GENERAL TOLERANCES (UNLESS OTHERWISE SPECIFIED)	SCALE	SHEET No	ISSUE
±0.10	1 OF 1	1 OF 1	B



MATERIAL	DATE	SCALE
POLYMER	24.11.2011	1 OF 1