

ISSUE	DATE	AMENDMENT



www.azenta.com

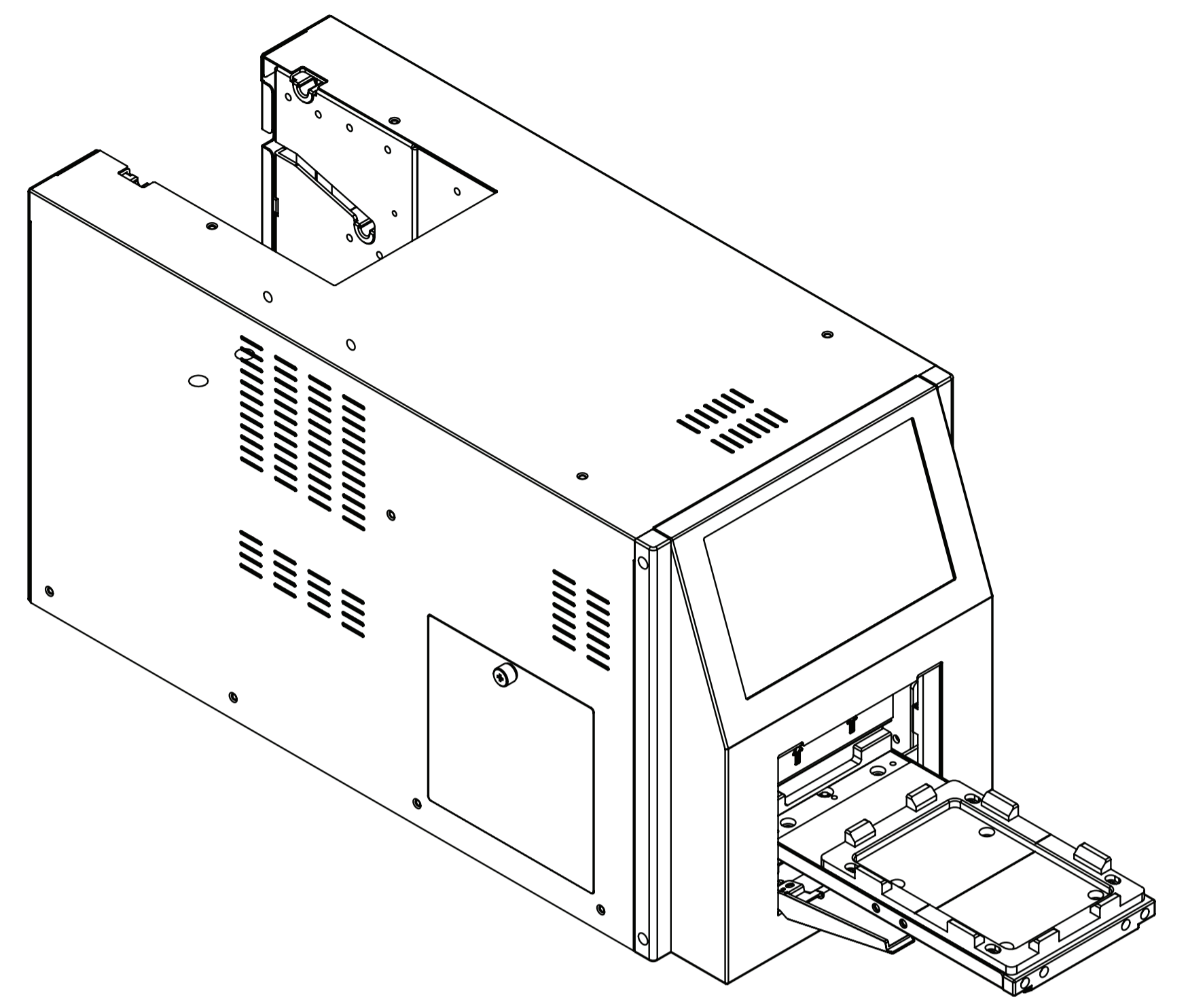
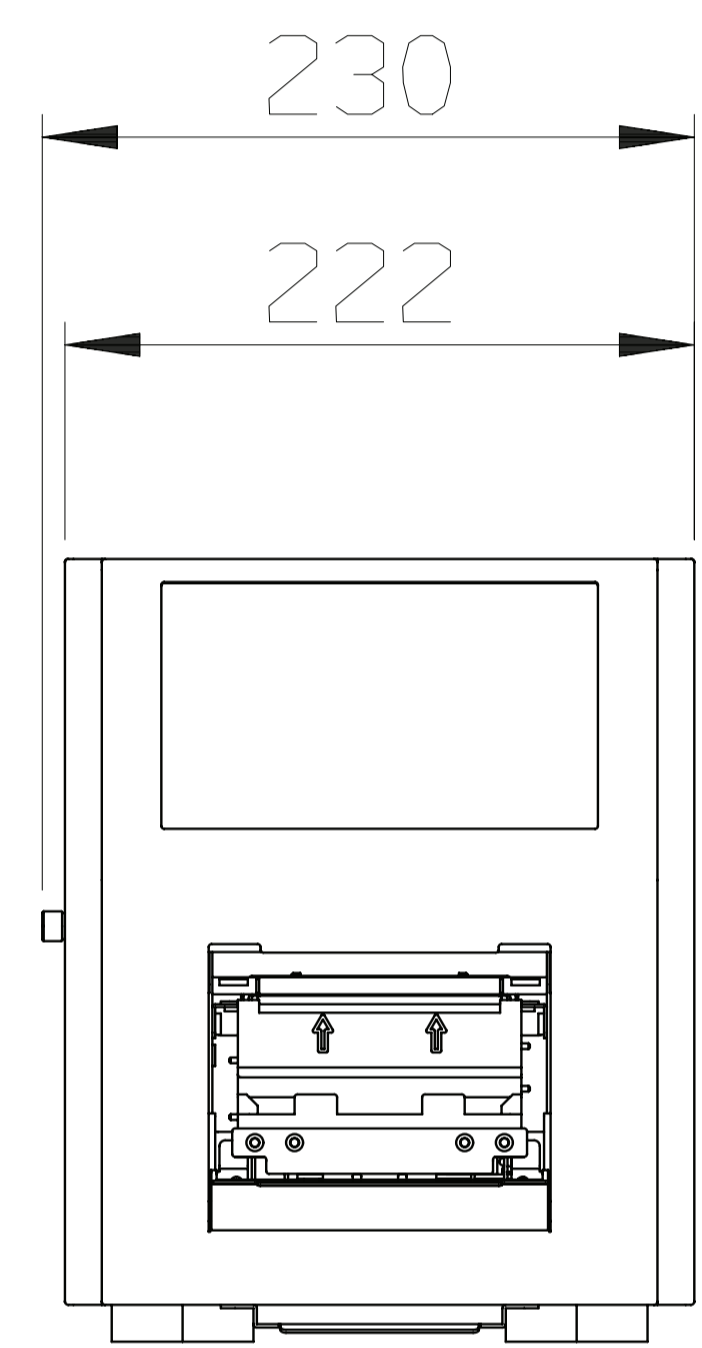
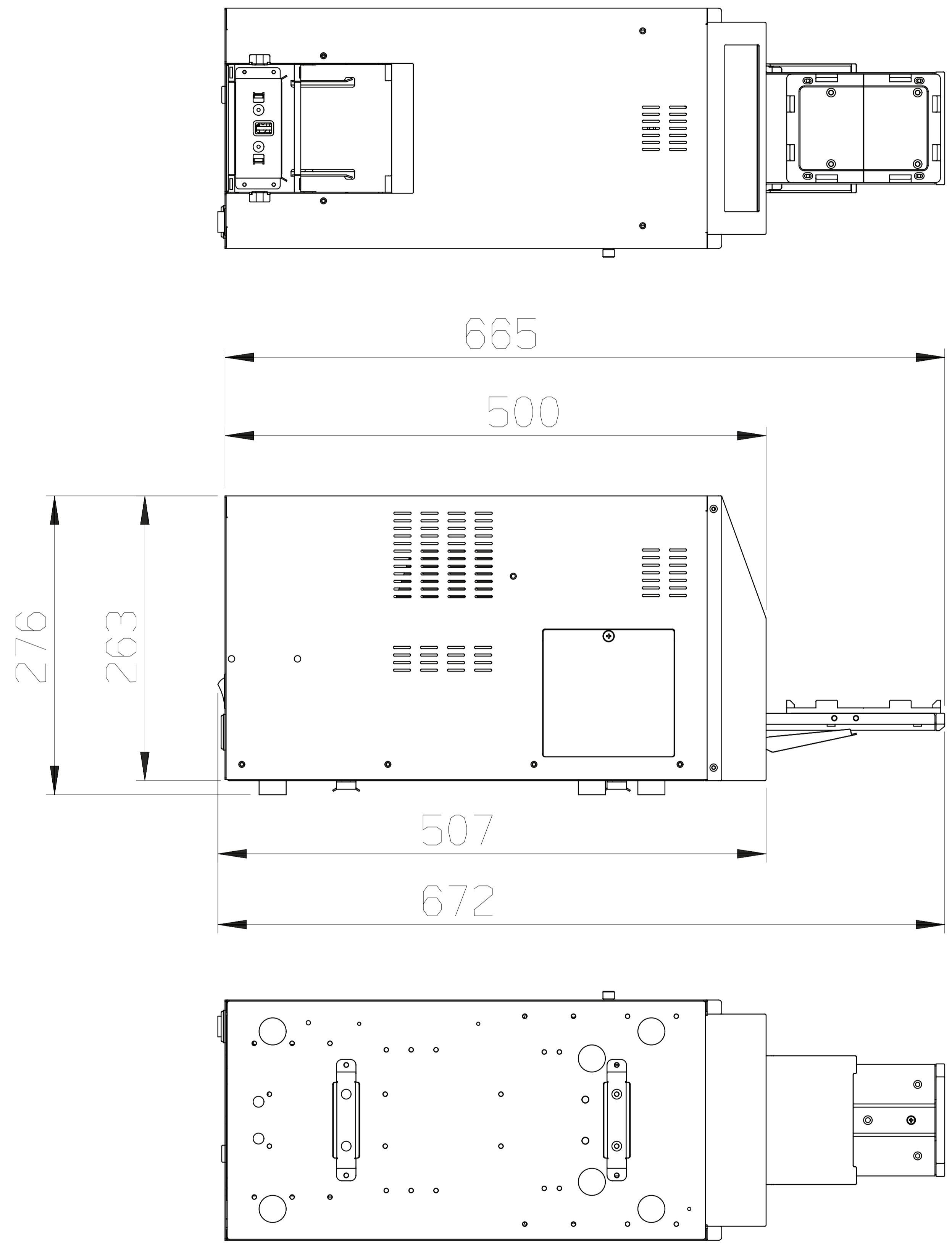
DO NOT SCALE
IF IN DOUBT ASK

CUSTOMER	DRAWN
CUSTOMER DRG No.	ISSUE
MATERIAL	CHECKED
TOLERANCES	DATE 2015/07/01
GENERAL TOLERANCES (UNLESS OTHERWISE STATED)	SCALE

- 1000 ± 0.50
10-100 ± 0.20
1-10 ± 0.10
ANGULAR ± 0°30'
(ALL DIMENSIONS IN MILLIMETRES)

DATE	2015/07/01
SCALE	

TITLE	α4S unit dimension (door close)	
DRAWING No.		ISSUE
SHEET No.		



ISSUE	DATE	AMENDMENT



DO NOT SCALE
IF IN DOUBT ASK

CUSTOMER	DRAWN
CUSTOMER DRG No.	ISSUE
MATERIAL	CHECKED
TOLERANCES	DATE 2015/07/01
GENERAL TOLERANCES (UNLESS OTHERWISE STATED)	SCALE

- 1000 ±0.50
10-100 ±0.20
1-10 ±0.10
ANGULAR ±0°30'
(ALL DIMENSIONS IN MILLIMETRES)

TITLE	
alpha4S unit dimension (door open)	
DRAWING No.	
SHEET No.	ISSUE