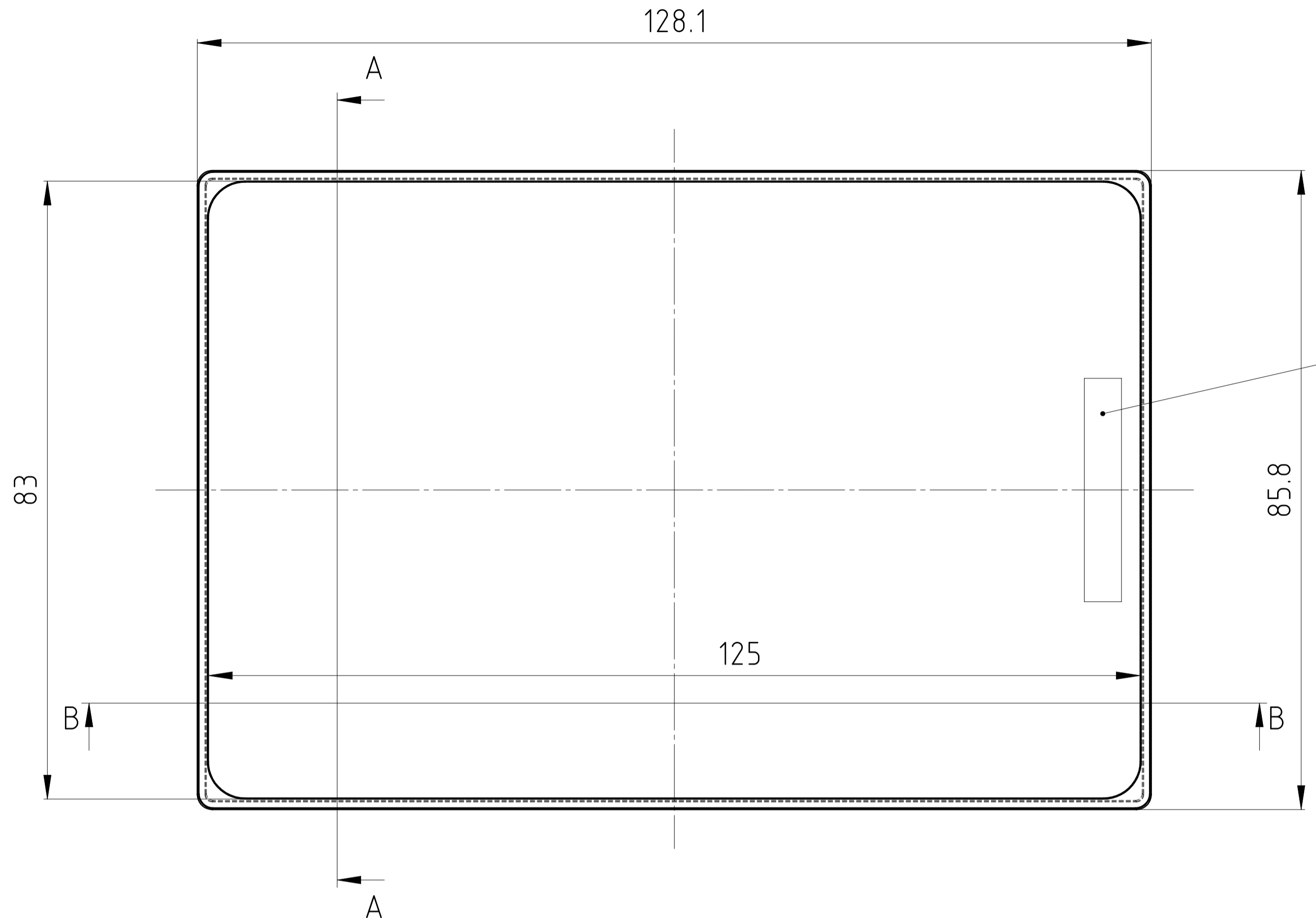
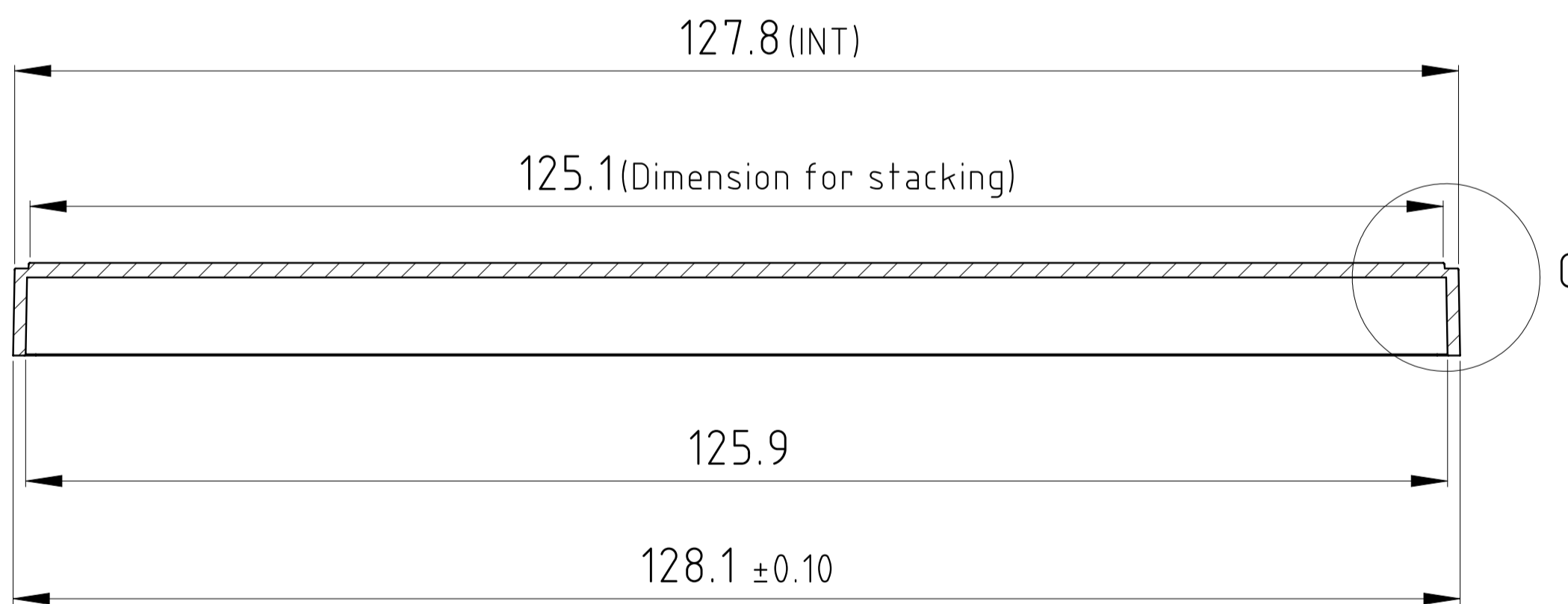
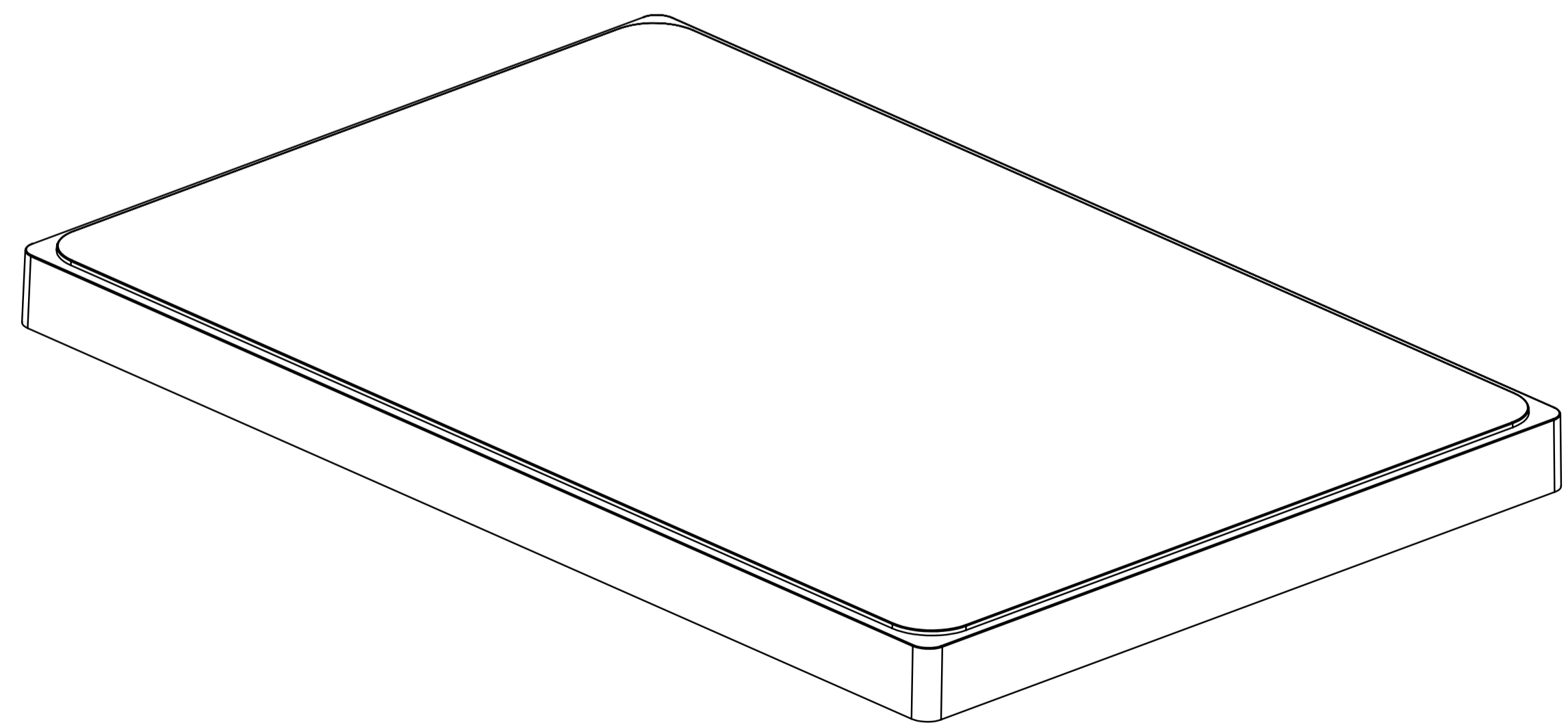


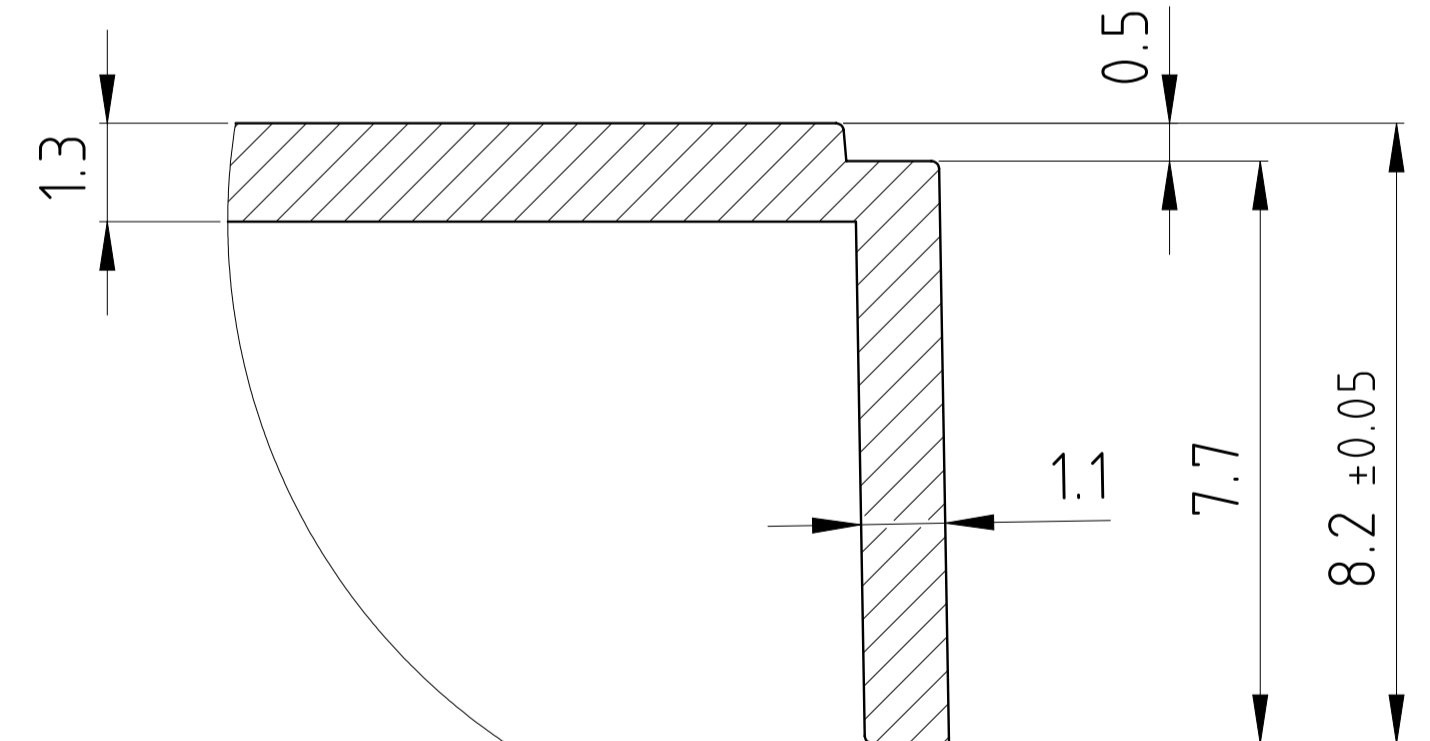
SECTION A-A



TOOL INSERT TO ALLOW CUSTOMERS NAME TO BE ENGRAVED IF REQUESTED



SECTION B-B



DETAIL C
SCALE 10 : 1

ISSUE	DATE	AMENDMENT



 DO NOT SCALE IF IN DOUBT ASK	CUSTOMER:	SIGNATURE:
	CUSTOMER DRG. No.:	ISSUE:
MATERIAL:	GLASS FILLED POLYCARBONATE	
TOLERANCES:	0 -0.15 0.0 ±0.05 0.00 ±0.02 ANGULAR ±0.30° (UNLESS OTHERWISE STATED) (ALL DIMENSIONS IN MILLIMETRES)	

DRAWN:	KIRAN. S
DATE:	24/05/2019
CHECKED:	HANNA. O
DATE:	
SCALE:	

TITLE:	0291-LID Marketing Drawing	
DRAWING No.:	P0-0291-LID	
SHEET No.:	1 OF 1	ISSUE: B