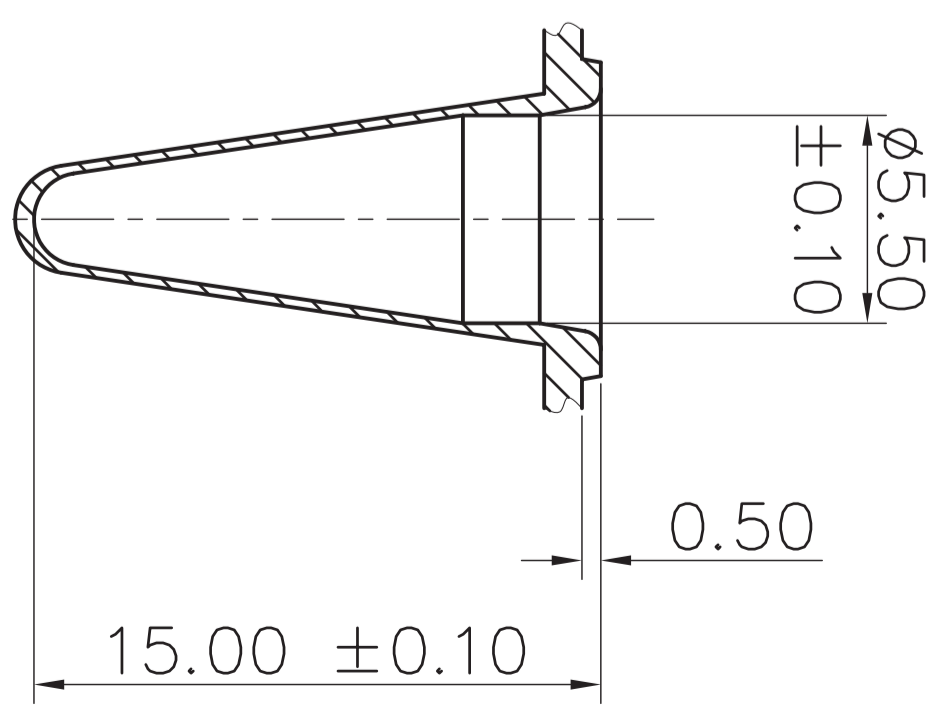
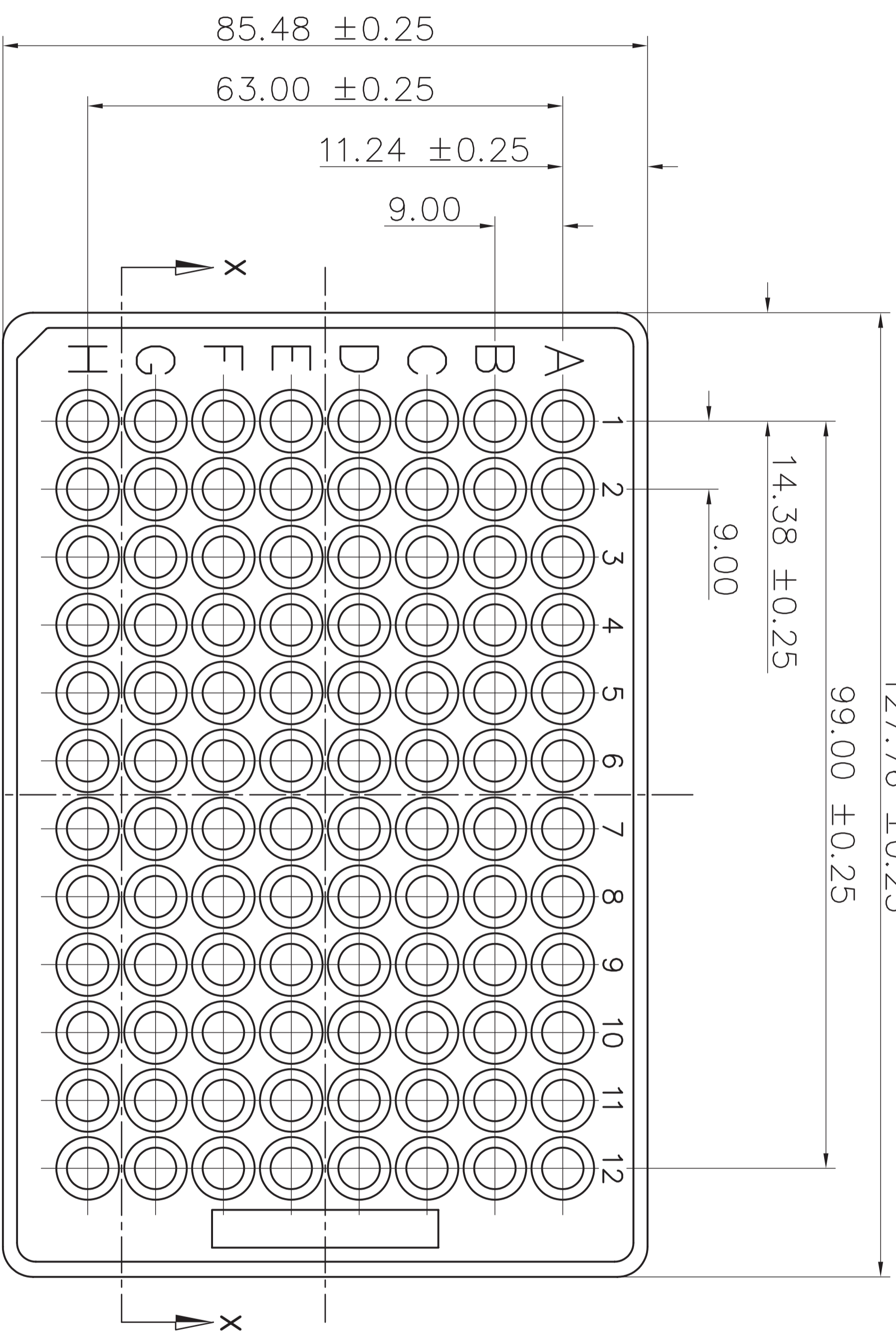
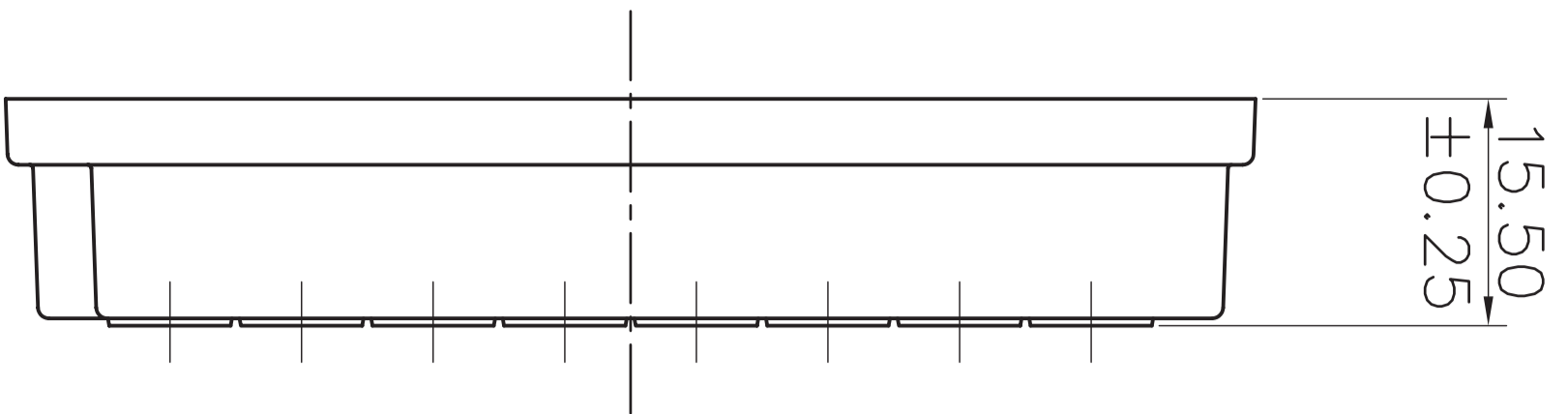


NOT TO SCALE
127.76 ±0.25

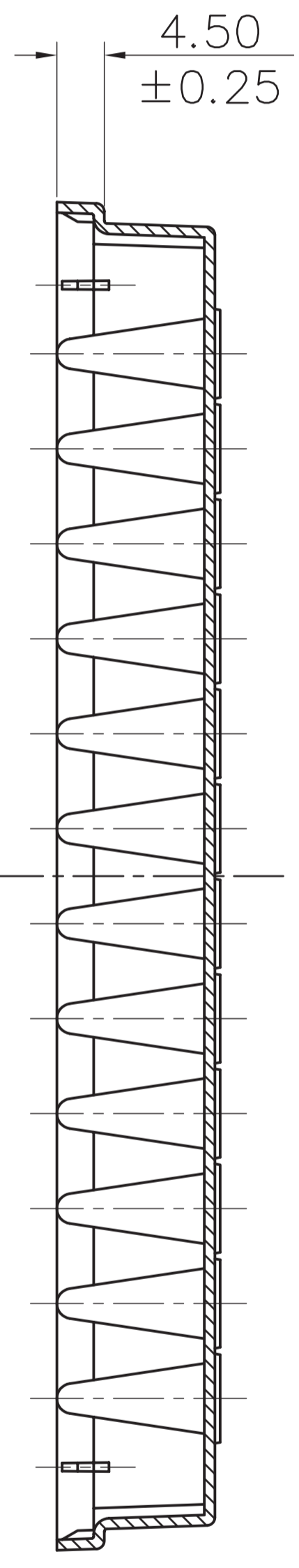
99.00 ±0.25

14.38 ±0.25

9.00



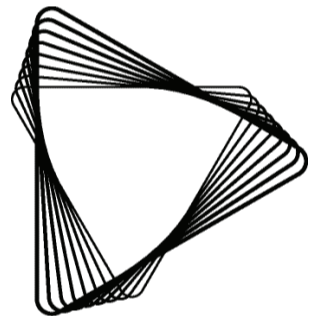
VIAL FORM 96pos



SECTION X-X

This drawing and/or any technical information relating to it is issued in strict confidence and may not be reproduced or used for manufacture without written permission. Upon receipt of which it is the users responsibility to seek confirmation of any dimensions and production tolerances.

All dimensions in millimetres



AZENTA
LIFE SCIENCES

TITLE:

SKIRTED 96 WELL PCR PLATE

DATE: 28/7/08

SHEET No.: 1 OF 1

ISSUE: A