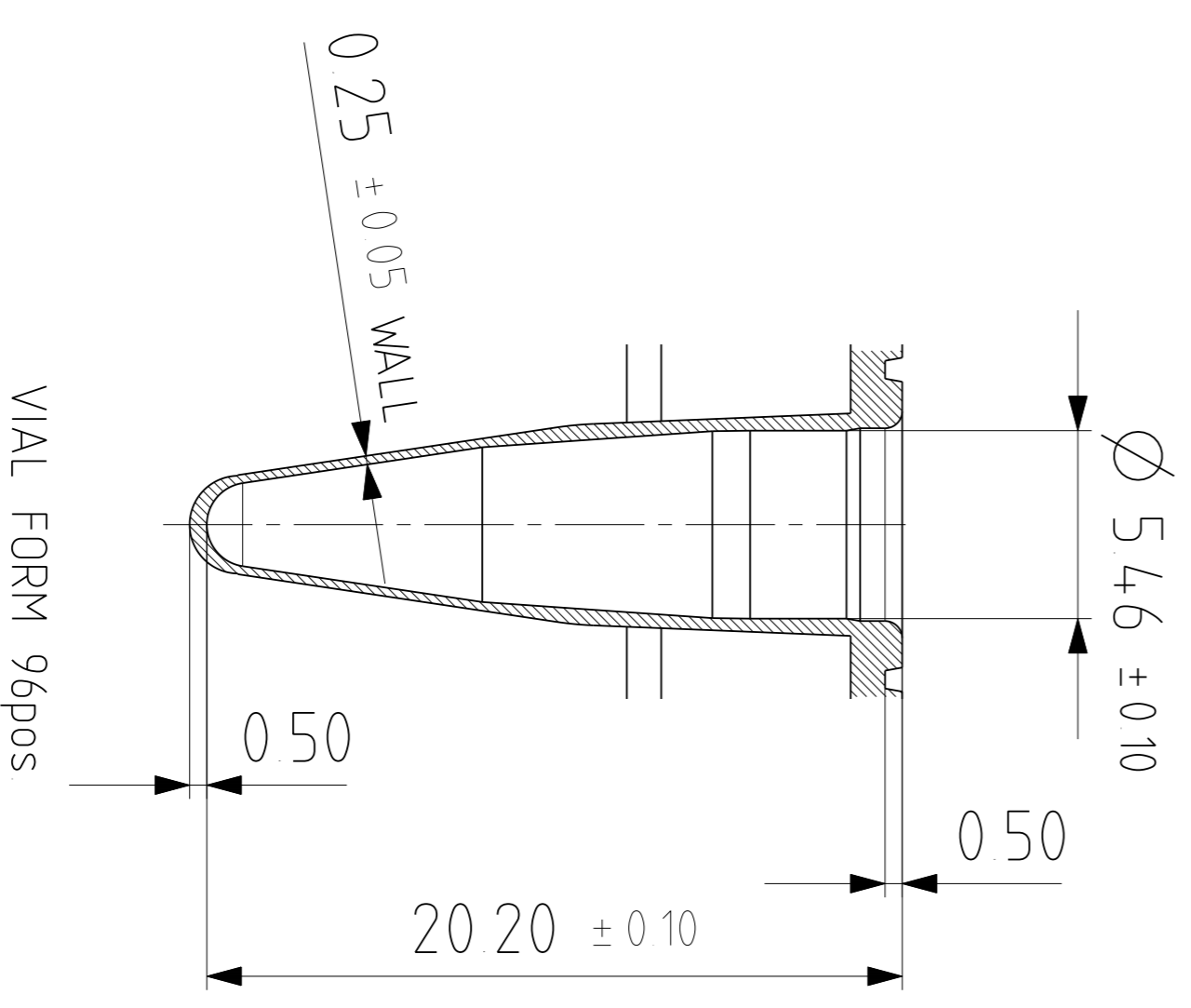
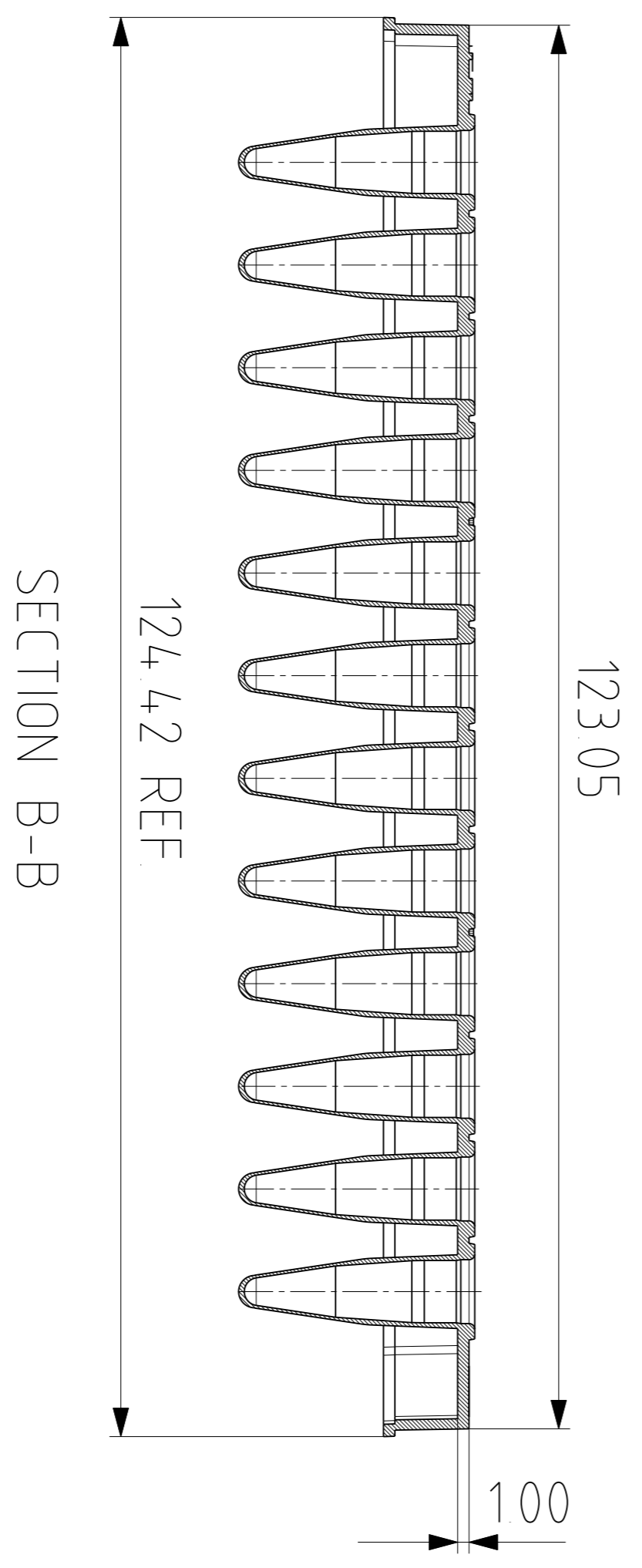
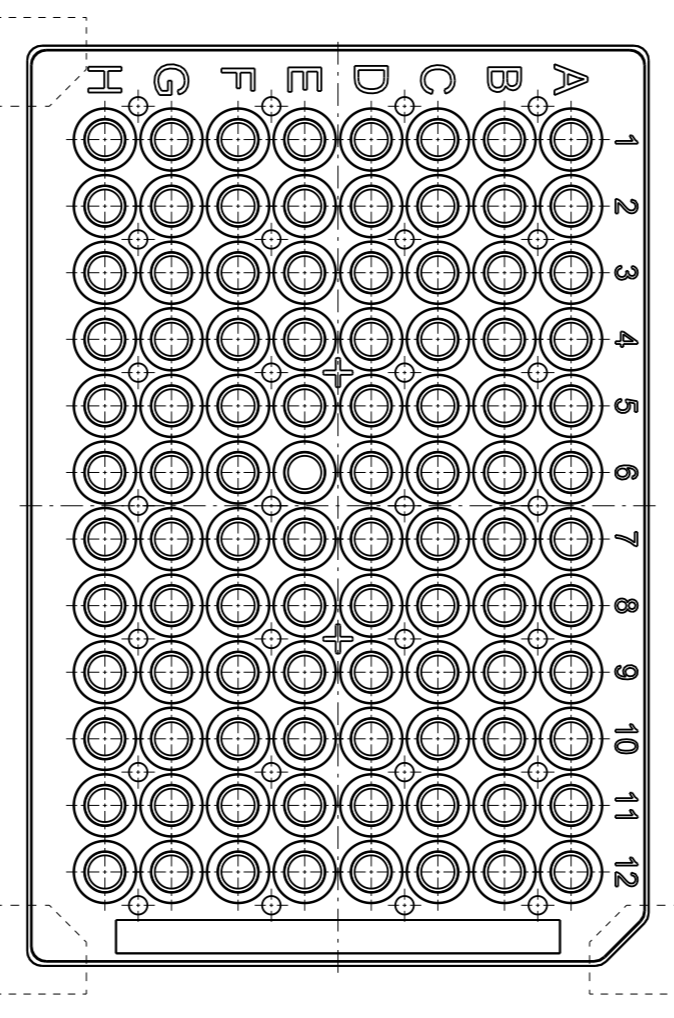


ALTERNATIVE POSITIONS FOR CUT CORNER



NOTE
 ALL FACES TO BE HAVE A SMOOTH GLOSS FINISH (HIGHLY POLISHED ON TOOL)
 UNLESS OTHERWISE STATED
 Weight 21g

				CUSTOMER CUSTOMER DRG. No.		DRAWN ZOLTAN E		TITLE One piece	
DO NOT SCALE IF IN DOUBT ASK				MATERIAL POLYPROPYLENE Purrell HP371P		DATE 23.01.2011		semi-skirted plate	
TOLERANCES GENERAL TOLERANCES (UNLESS OTHERWISE STATED)		IF IN DOUBT ASK		TOLERANCES GENERAL TOLERANCES (UNLESS OTHERWISE STATED)		CHECKED PAUL D		DRAWING No. Marketing drawing	
www.azenta.com		AZENTA LIFE SCIENCES		ALL DIMENSIONS IN MILLIMETRES		SCALE 2:1		SHEET No. 1 OF 1	
								ISSUE D	