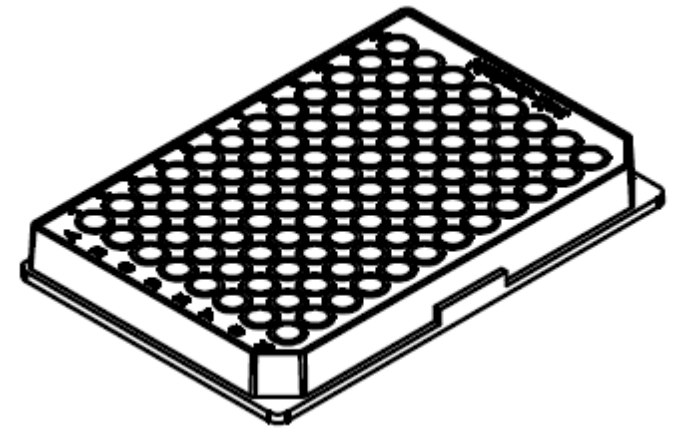
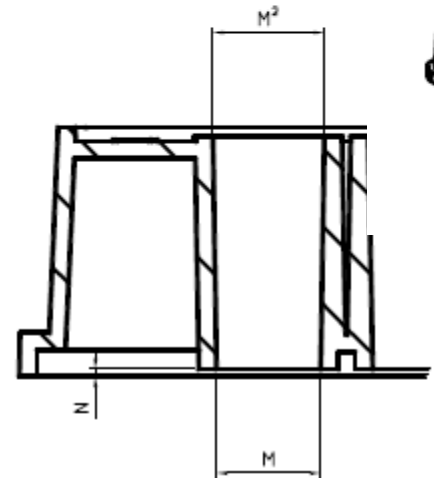
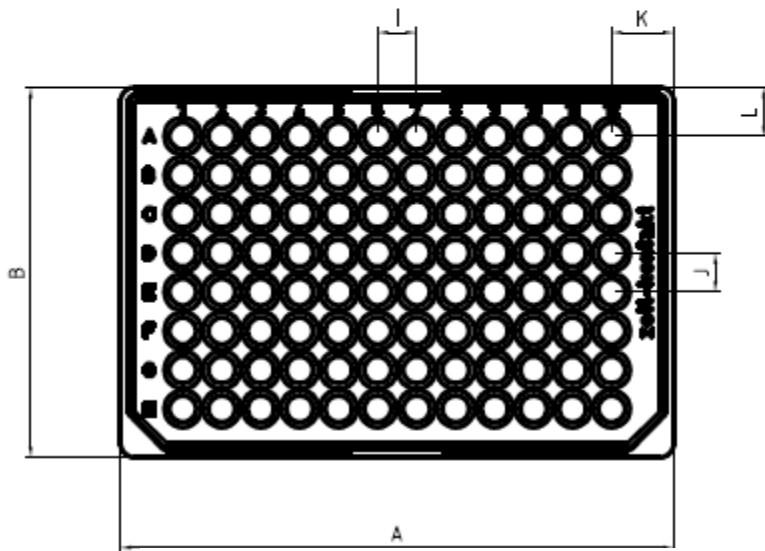
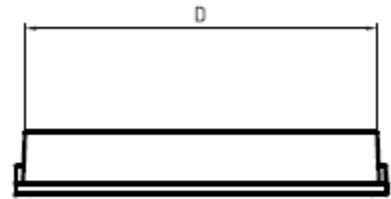
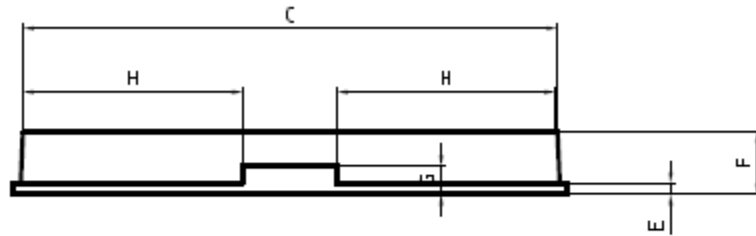
 <small>www.azenta.com</small>	Identification Number		QC - 0216	
	Title		Technical Drawing 4ti-0273	
	Revision	002	Effective Date	07/02/2104
	Document Owner	QC	Page	1



	A	B	C	D	E	F	G	H	I	J	K	L	M	M ²	N
MM	127.76	85.48	123.3	81.2	2.5	14.35	6.5	50.3	9.0	9.0	14.38	11.24	φ6.0	φ6.5	0.4
INCH	5.030	3.365	4.854	3.197	0.098	0.565	0.256	1.98	0.354	0.354	0.566	0.443	φ0.236	φ0.256	0.016