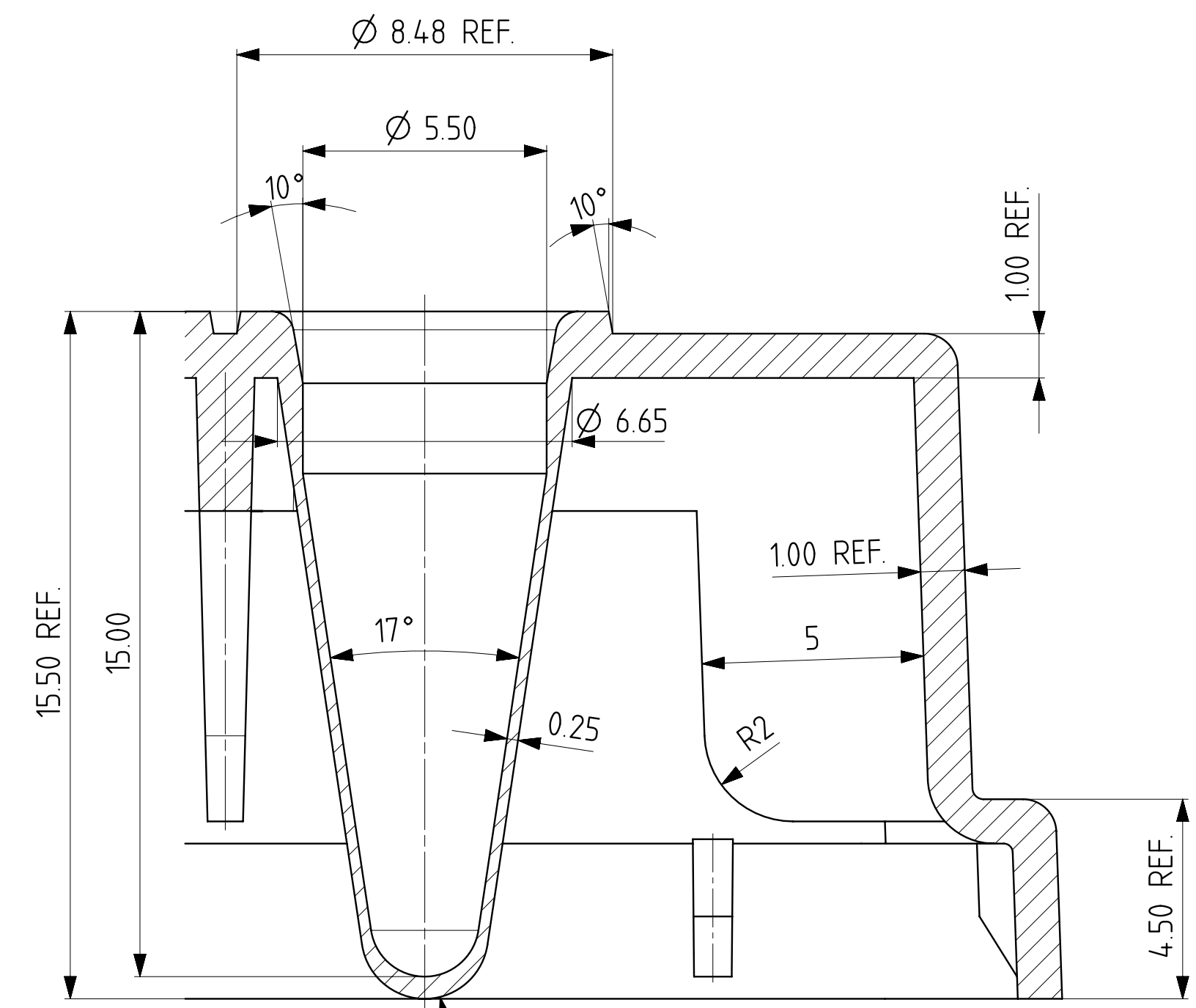
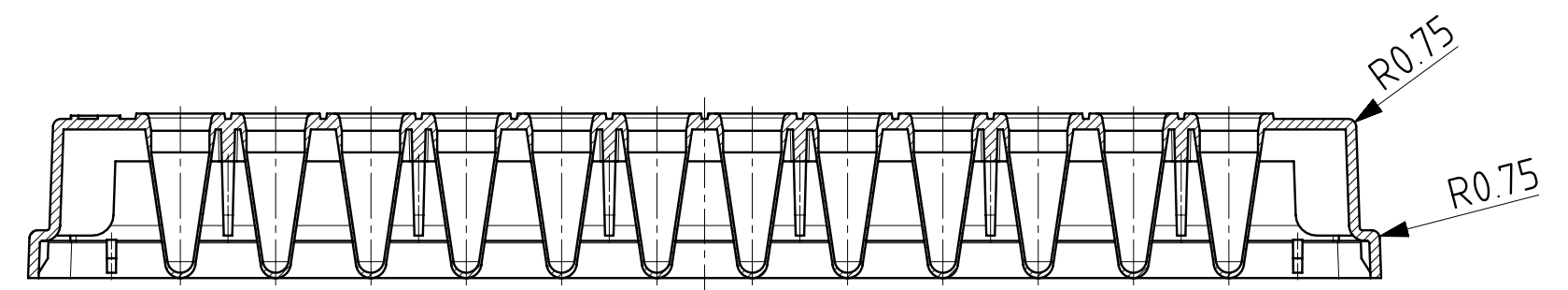


SECTION A-A



DETAIL C
SCALE 8:1