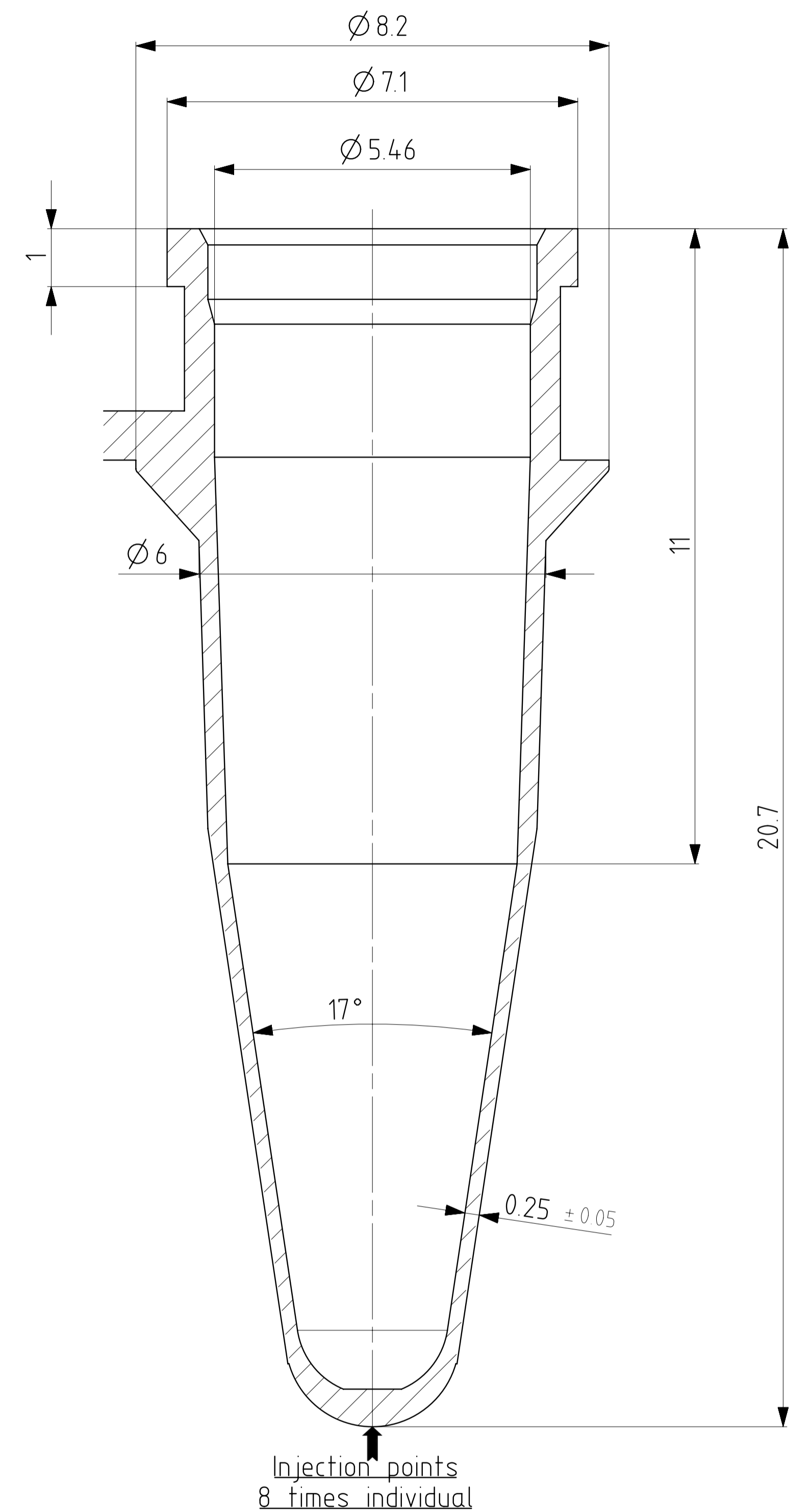
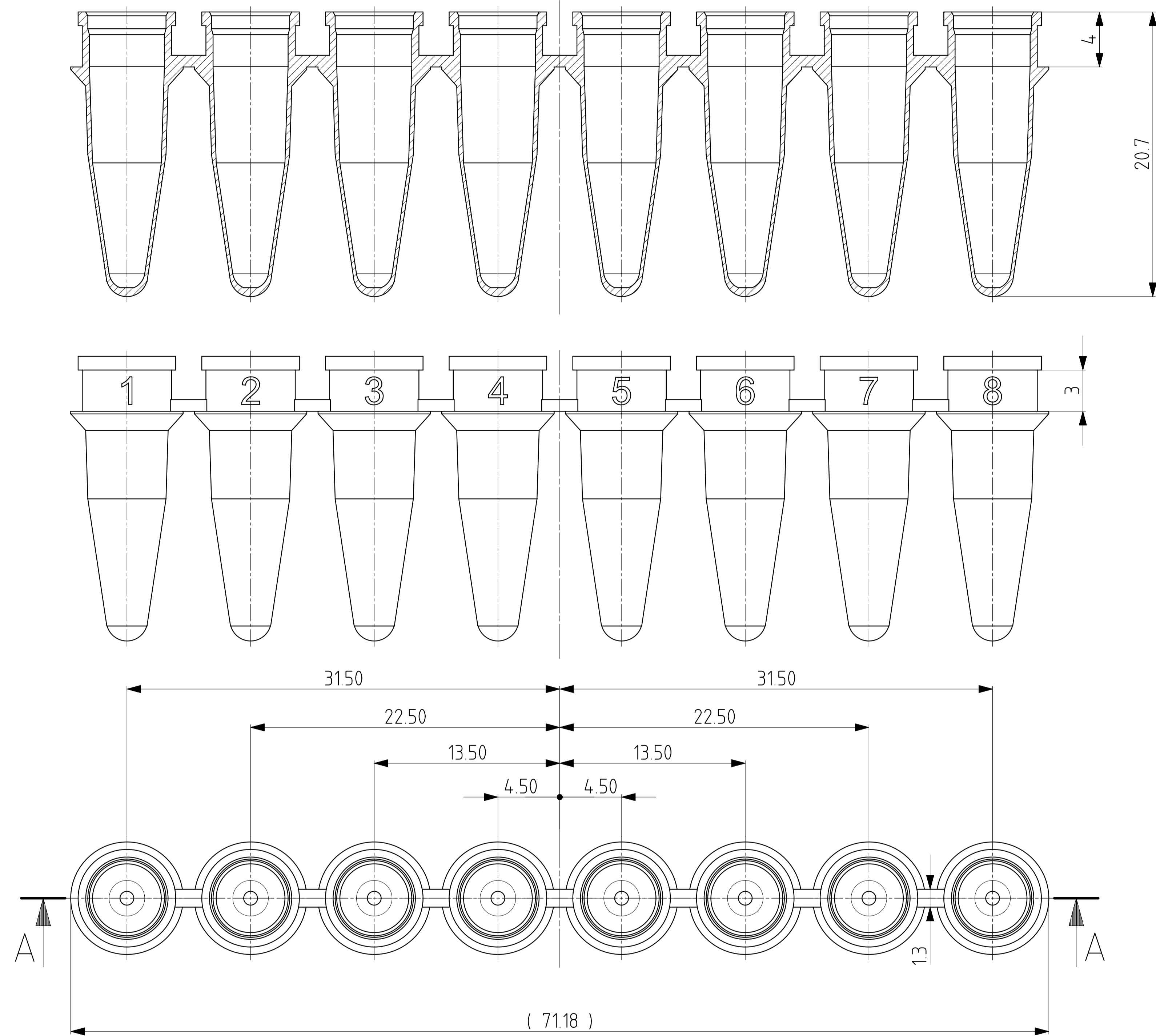


SECTION A-A



VIAL FORM 8 pos.  
SCALE 15:1  
MAXIMUM VIAL CAPACITY = 330 MICROLITRES

ISSUE	DATE	AMENDMENT



DO NOT SCALE  
IF IN DOUBT ASK

CUSTOMER	CUSTOMER DRG. No.	ISSUE
MATERIAL	POLYPROPYLENE	
TOLERANCES	0 ±0.20 0.0 ±0.10 0.00 ±0.05 ANGULAR ±0°30' (ALL DIMENSIONS IN MILLIMETRES)	
GENERAL TOLERANCES (UNLESS OTHERWISE STATED)		

DRAWN	ZE
DATE	01.07.2015
CHECKED	PD
DATE	
SCALE	

TITLE	Strips of 8 PCR tubes MARKETING DRAWING	
DRAWING No.	4ti-0781	
SHEET No.	1 OF 1	ISSUE D