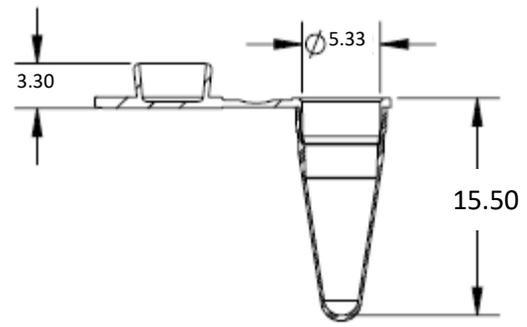
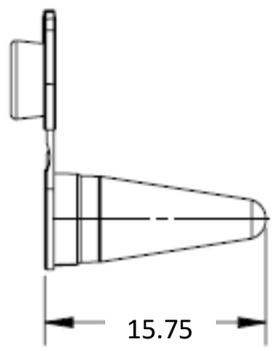
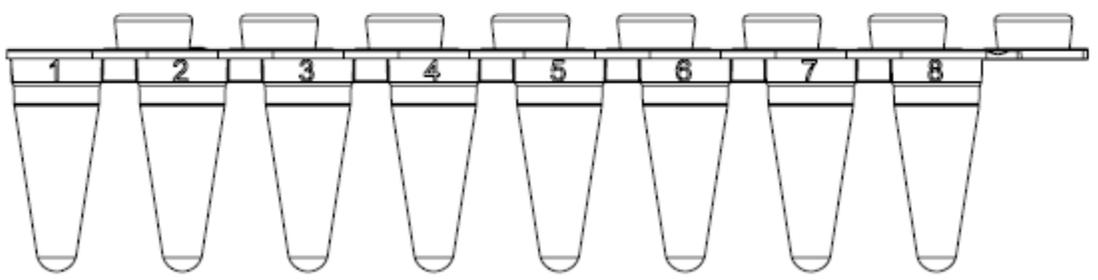
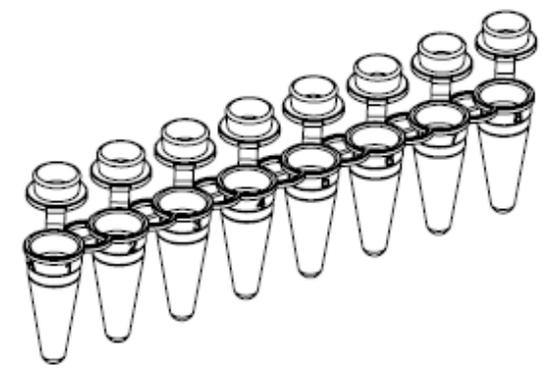
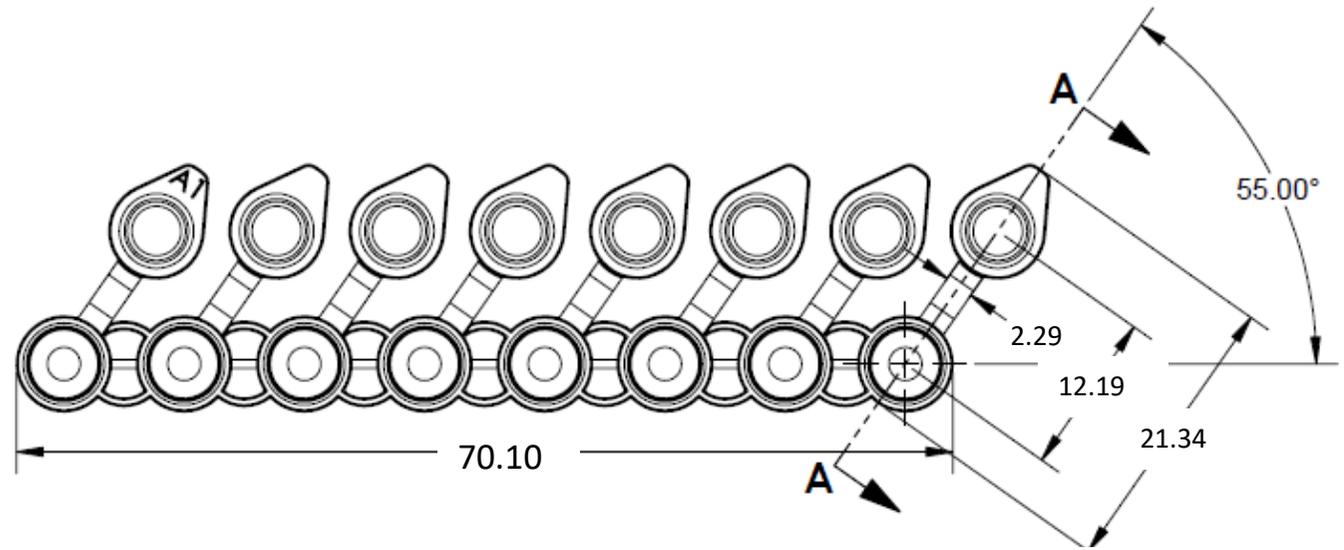


 <small>www.azenta.com</small>	Identification number	QC - 0354		
	Title	Technical Drawing 4ti-0793		
	Revision	001	Effective date	24.07.2014
	Document owned by	QC	Page	1



SECTION A-A