



AZENTA
LIFE SCIENCES

www.azenta.com

Identification number QC - 0406

Title Technical drawing 4ti-0796

Revision 001

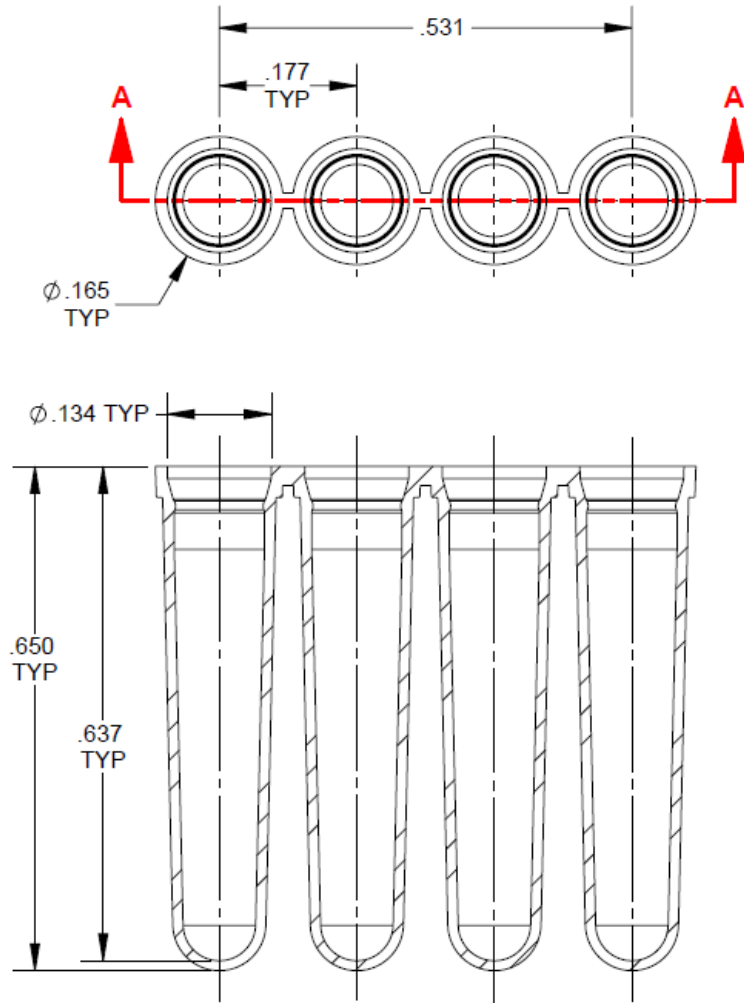
Effective date

17.03.2016

Document owned by QC

Page

1



SECTION A-A
SCALE: 4.5 : 1

