

This drawing and/or any technical information relating to it is issued in strict confidence and may not be reproduced or used for manufacture without written permission. Sign recall of which it is the users responsibility to seek confirmation of any dimensions and production tolerances.

A0

A B C D E F G H I

1

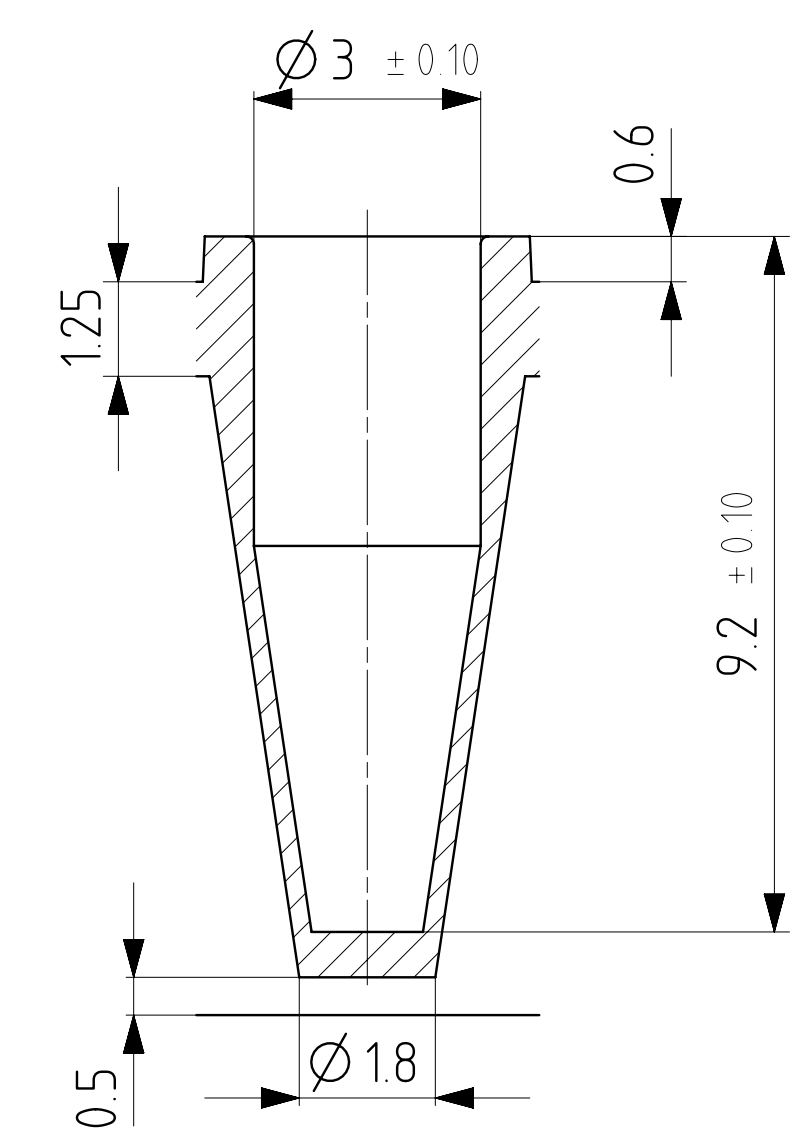
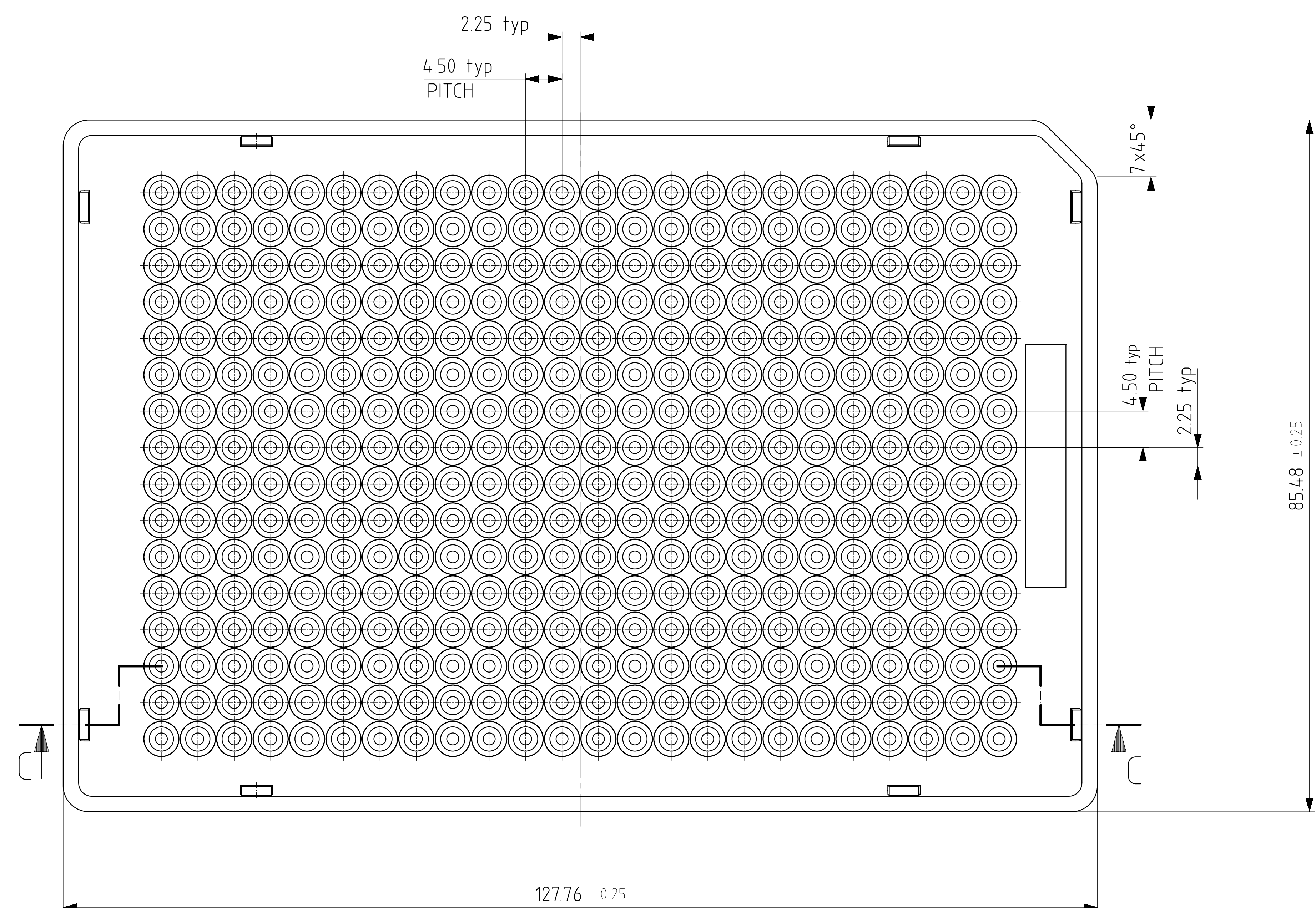
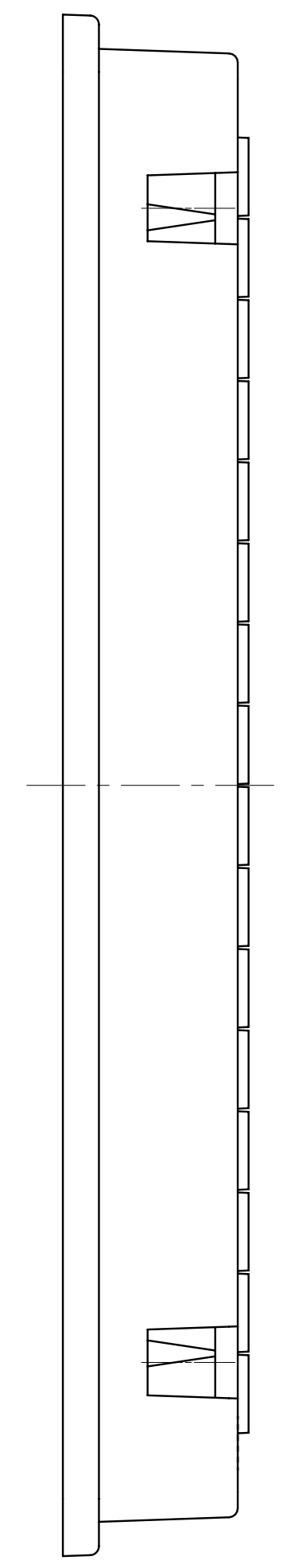
2

3

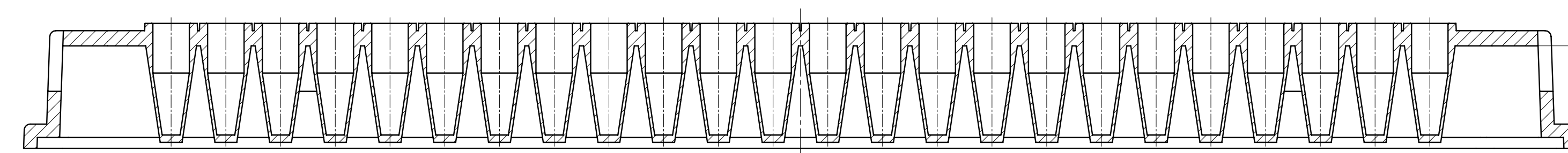
4

5

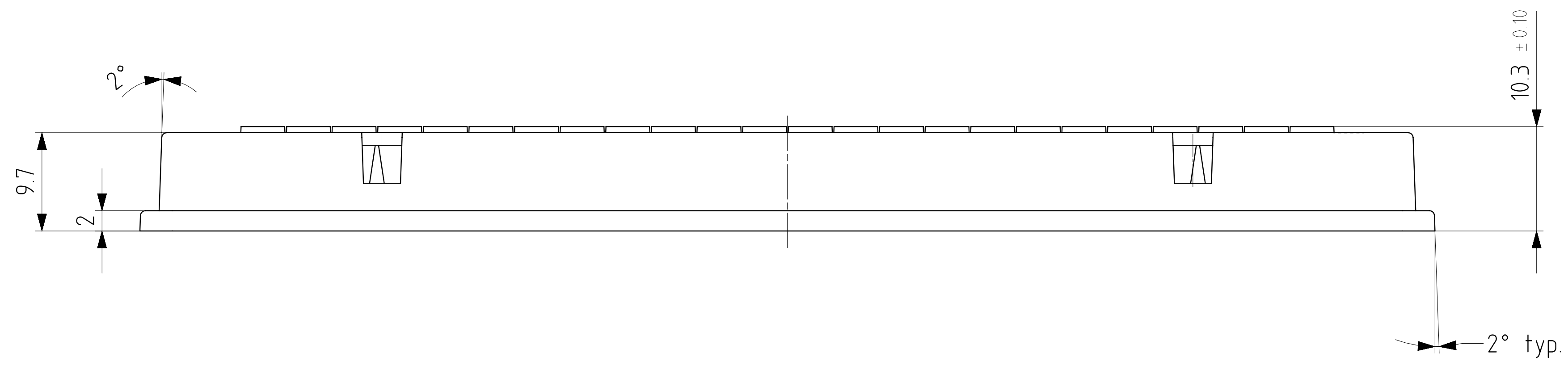
6



VIAL FORM 384 pos.
SCALE 10:1



SECTION C-C



ISSUE	DATE	AMENDMENT	ISSUE	DATE	AMENDMENT



DO NOT SCALE
IF IN DOUBT ASK

CUSTOMER	CUSTOMER DRG. No	ISSUE	DATE
MATERIAL	POLYPROPYLENE		
TOLERANCES	0 ±0.10 0.05 ±0.05 0.00 ±0.02 ANGULAR ±0.30° (ALL DIMENSIONS IN MILLIMETRES)		
GENERAL TOLERANCES (UNLESS OTHERWISE STATED)	SCALE		

DRAWN	ZE
CHECKED	EF
DATE	18.09.2018
SCALE	

TITLE	384 Well Skirted PCR Plate Marketing drawing	
DRAWING No	4ti-1384	
SHEET No	1 OF 1	ISSUE E