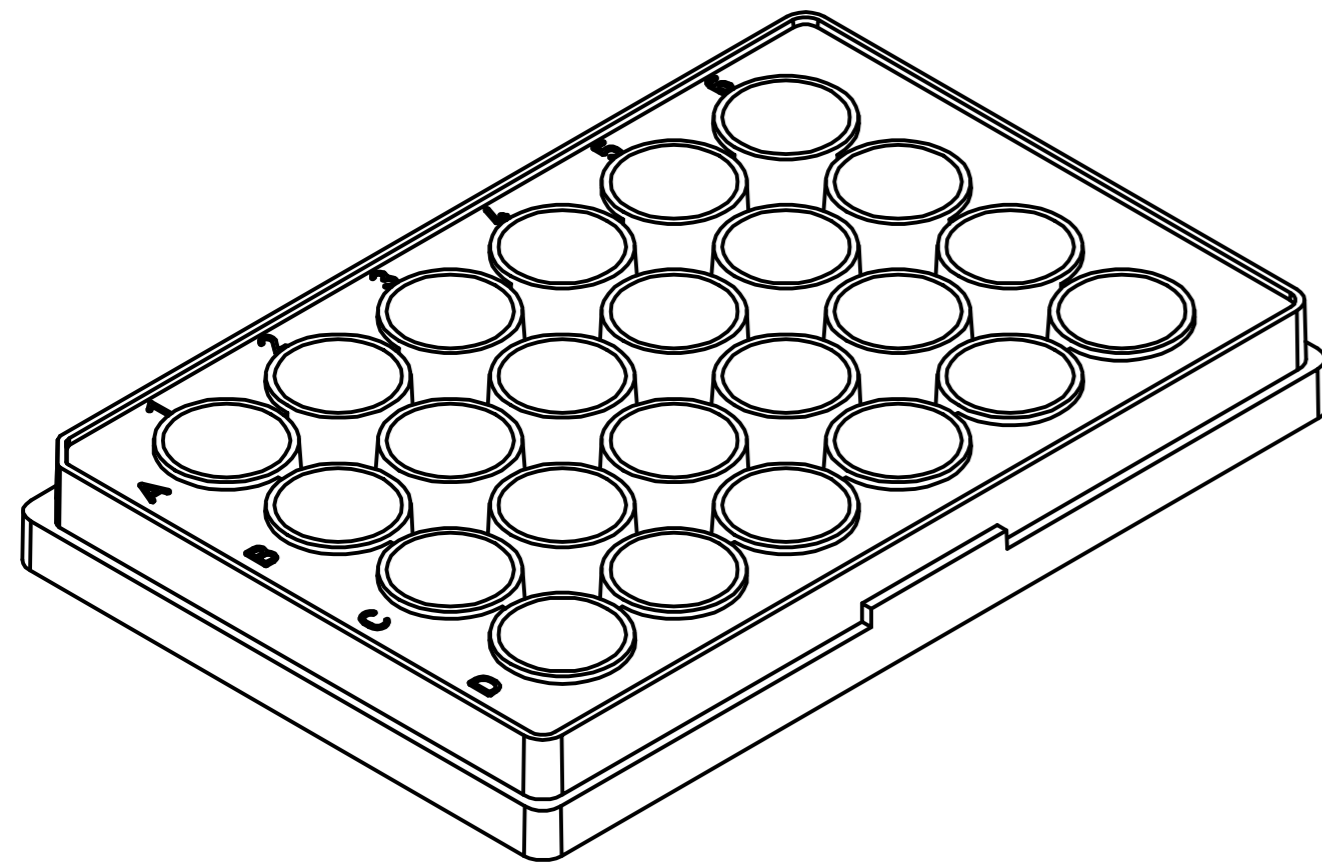
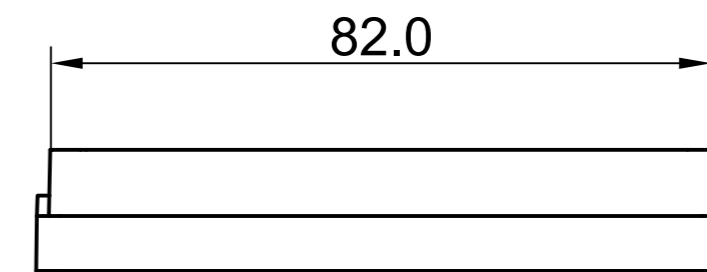
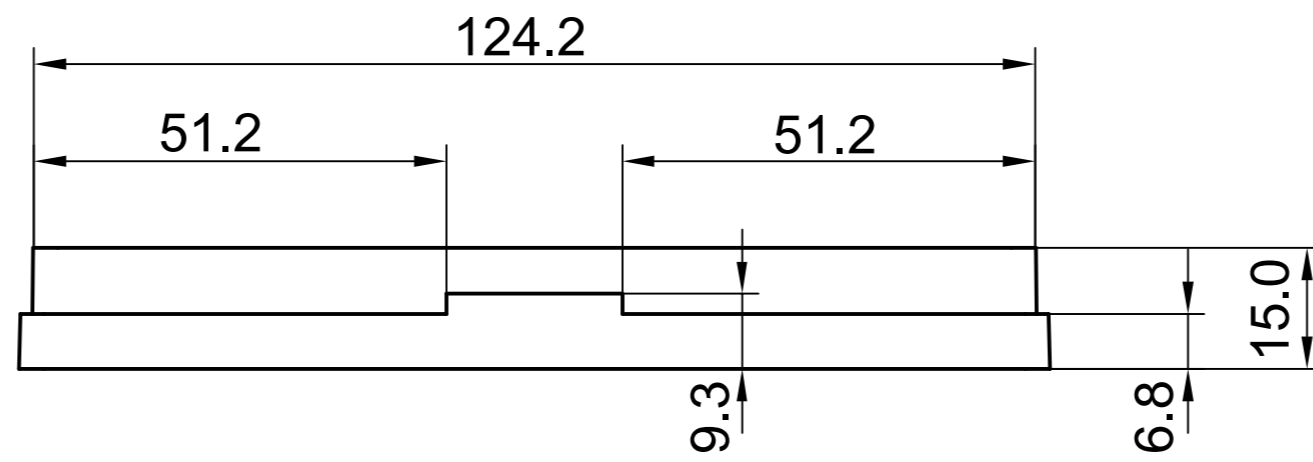
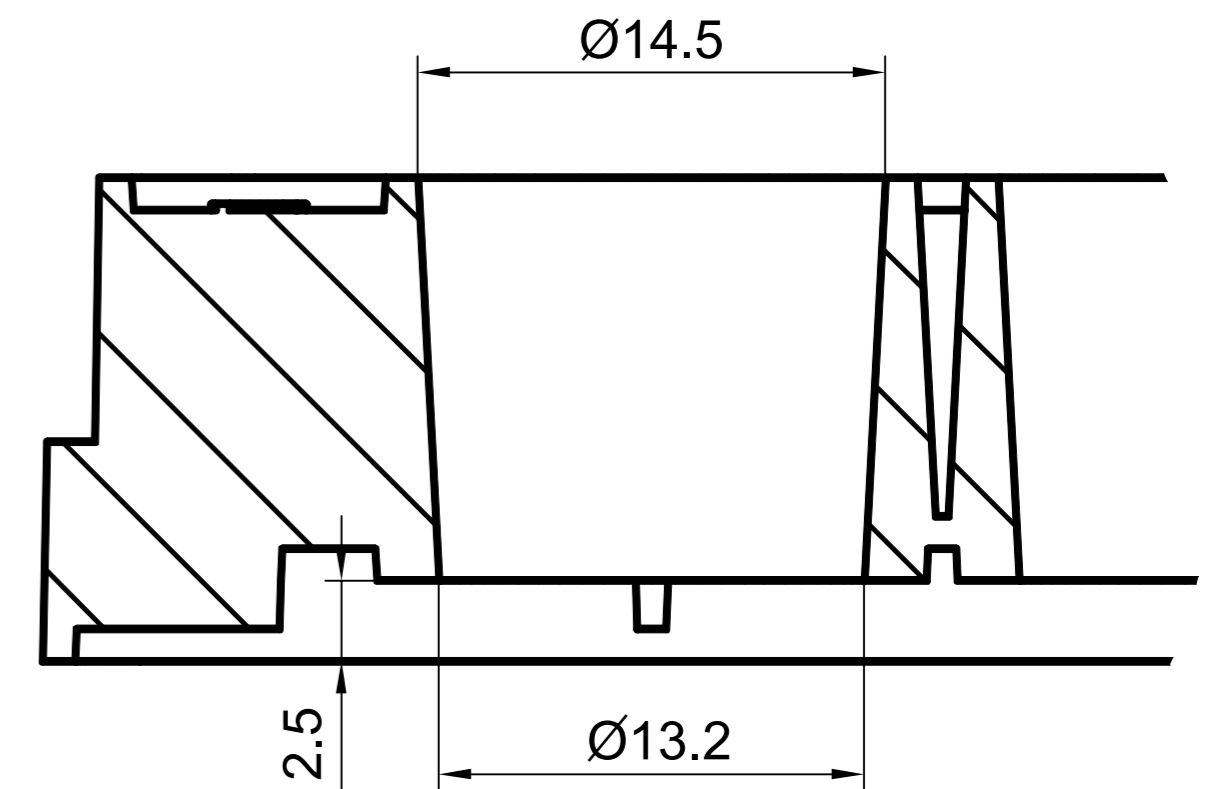
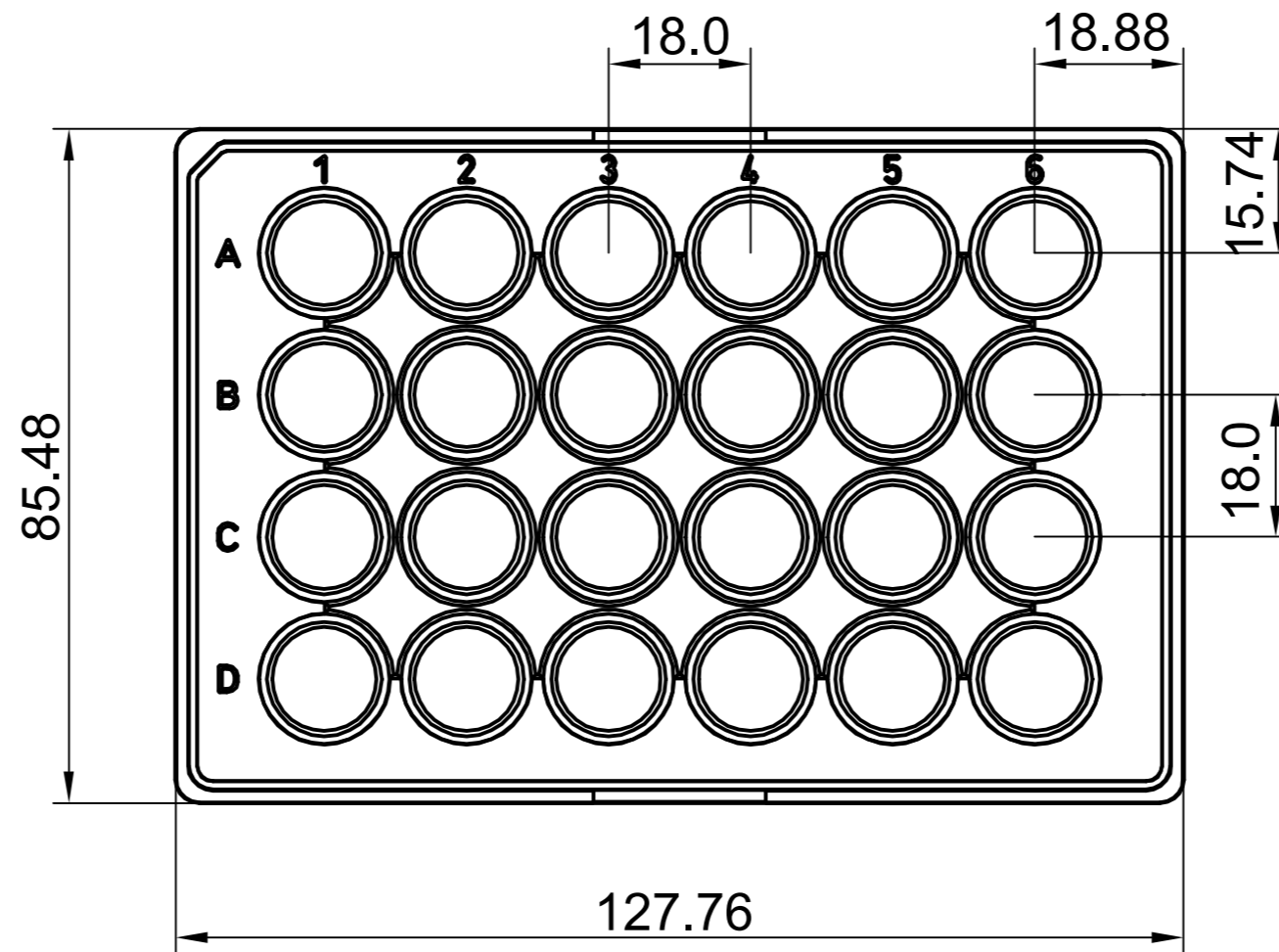


NOT TO SCALE

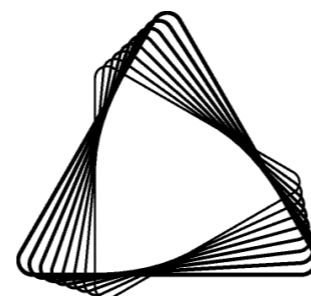
This drawing and/or any technical information relating to it is issued in strict confidence and may not be reproduced or used for manufacture without written permission. Upon receipt of which it is the users responsibility to seek confirmation of any dimensions and production tolerances.



Material: POLYSTYRENE
Volume: 37.5cm³
Mass: 39.3g



All dimensions in millimetres



AZENTA
LIFE SCIENCES

www.azenta.com

TITLE:

IP 24 WELL FRAME

DATE: 05/01/09

SHEET No.: 1 OF 1

ISSUE: A