



Azenta A1000 & Extended Height E1200

Simple, Secure -190°C LN2 Vapor Storage

Designed For Samples By Users

ERGONOMICS

- Cryo LED & Auto Fog Clear
- Full Sample Visibility
- Low Lifter Height
- Sufficient Workspace to Maintain Cold Chain



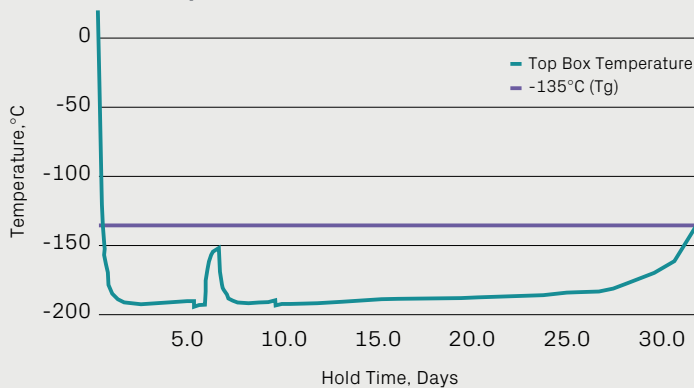
CONNECTED

- Touchscreen with WiFi / LAN
- Text & Email Alerts
- Cloud Backup
- Redundant Remote Monitoring

CAPACITY

- 10-30% More Samples
- Highest Storage Density
- Lowest LN2 Usage Per Sample

A1000 Temperature Test



STORAGE TEMPERATURE: -190°C
LID OPEN TEMPERATURE: < -150°C
HOLD TIME < Tg: > 21 Days

Temperature test performed with 2 ml vial inventory and default vapor storage settings



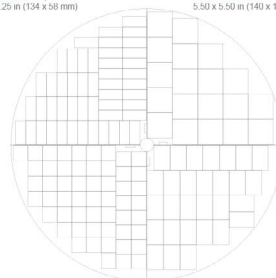
Specifications: Azenta A1000 & Extended Height E1200



	A1000	E1200
2 ml Vial Capacity (Vials Boxes Racks)		
Slim Vertical Racks	106,000 1,060 212	127,200 1,272 212
Boxes / Racks	5	6
Square Racks	98,800 988 76	114,000 1,140 76
Boxes / Racks	13	15
Blood Bag Capacity (Bags Frames Bags/Frames)		
25 ml Cassettes	7,448 1,064 7	8,512 1,064 8
50 ml Cassettes	4,508 644 7	5,152 644 8
250 ml Cassettes	2,032 508 4	2,540 508 5
500 ml Cassettes	1,680 420 4	2,100 420 5
Physical Dimensions		
Outer Diameter - in (mm)	65.0 (1651)	65.0 (1651)
Overall Height - in (mm)	59.0 (1499)	64.0 (1626)
Usable Height - in (mm)	30.0 (762)	34.0 (864)
Step Height - in (mm)	10.5 (267) x 2	11.0 (279) x 2
Liftover Height - in (mm)	34.0 (864)	37.0 (940)
Neck Opening - in (mm)	28.2 (716)	28.2 (716)
Empty Weight - lbs (kg)	1,900 (862)	2,010 (912)
Working Weight* - lbs (kg)	2,600 (1179)	2,900 (1315)
Storage & Safety		
LN2 Capacity (Vapor Storage)	390 L	
Hold Time < Tg	> 21 Days	
Warranty	3 Years Parts & Craftsmanship 7 Years Vacuum	
Safety Regulatory	UL / CSA STD 61010-1 LVD (2014/35/EU)	

Vial Inventory:

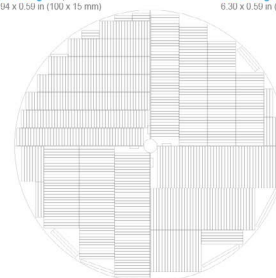
2 ml Slim Racks: 212
Boxes per Rack: 5
Total Boxes: 1,060
5.26 x 2.25 in (134 x 56 mm)



Square Racks: 76
Boxes per Rack: 13
Total Boxes: 988
5.50 x 5.50 in (140 x 140 mm)

Blood Bag Inventory:

25 ml Frames: 1,064
Bags per Frame: 7
Total Bags: 7,448
3.94 x 0.50 in (100 x 15 mm)



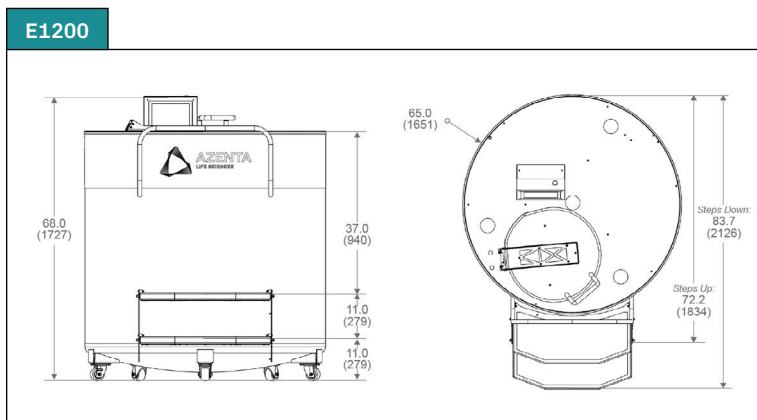
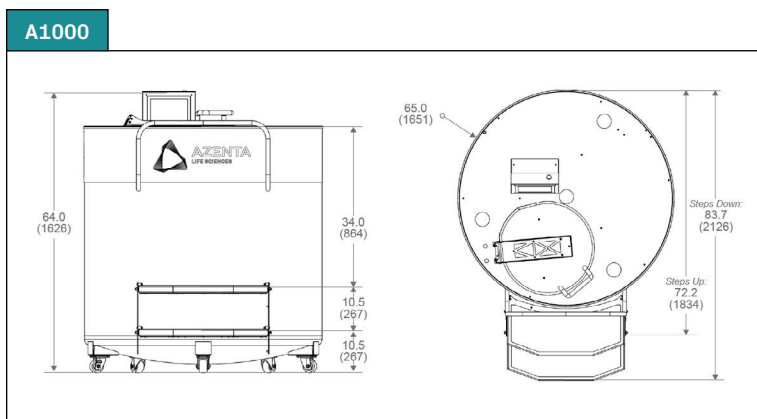
50 ml Frames: 644
Bags per Frame: 7
Total Bags: 4,508
6.30 x 0.50 in (160 x 15 mm)

Square Mini Racks: 216
Boxes per Rack: 13
Total Boxes: 2,808
3.18 x 3.34 in (81 x 85 mm)

SBS Racks: 116
5.50 x 3.63 in (140 x 92 mm)

250 ml Frames: 508
Bags per Frame: 4
Total Bags: 2,032
7.88 x 0.59 in (200 x 15 mm)

500 ml Frames: 420
Bags per Frame: 4
Total Bags: 1,680
9.30 x 0.59 in (236 x 15 mm)



* 2 ml vial inventory and default vapor storage settings

