



Azenta A700 & Extended Height E840

Simple, Secure -190°C LN2 Vapor Storage

Designed For Samples By Users

ERGONOMICS

- Cryo LED & Auto Fog Clear
- Full Sample Visibility
- Low Lifterover Height
- Sufficient Workspace to Maintain Cold Chain



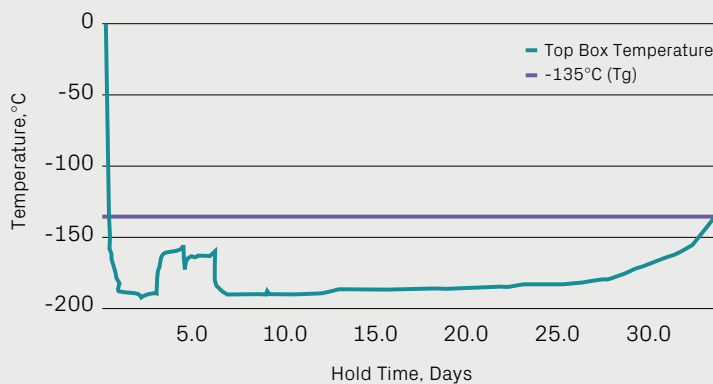
CONNECTED

- Touchscreen with WiFi / LAN
- Text & Email Alerts
- Cloud Backup
- Redundant Remote Monitoring

CAPACITY

- 10-30% More Samples
- Highest Storage Density
- Lowest LN2 Usage Per Sample

A700 Temperature Test



STORAGE TEMPERATURE: -190°C
LID OPEN TEMPERATURE: < -160°C
HOLD TIME < Tg: > 25 Days

Temperature test performed with 2 ml vial inventory and default vapor storage settings

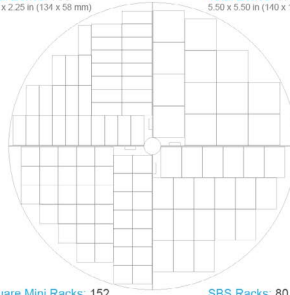


Specifications: Azenta A700 & Extended Height E840

	A700	E840
2 ml Vial Capacity (Vials Boxes Racks)		
Slim Vertical Racks	70,000 700 140	84,000 840 140
Boxes / Racks	5	6
Square Racks	67,600 676 52	78,000 780 52
Boxes / Racks	13	15
Blood Bag Capacity (Bags Frames Bags/Frames)		
25 ml Cassettes	5,124 732 7	5,856 732 8
50 ml Cassettes	3,080 440 7	3,520 440 8
250 ml Cassettes	1,376 344 4	1,720 344 5
500 ml Cassettes	1,120 280 4	1,400 280 5
Dimensions		
Outer Diameter - in (mm)	55.0 (1397)	55.0 (1397)
Overall Height - in (mm)	63.0 (1600)	67.0 (1702)
Usable Height - in (mm)	30.0 (762)	34.0 (864)
Step Height - in (mm)	10.0 (254) x 2	10.5 (267) x 2
Liftover Height - in (mm)	34.0 (864)	37.0 (940)
Neck Opening - in (mm)	23.2 (589)	23.2 (589)
Empty Weight - lbs (kg)	1,560 (708)	1,650 (748)
Working Weight* - lbs (kg)	2,000 (907)	2,225 (1009)
Performance		
LN2 Capacity (Vapor Storage)	250 L	
Hold Time < Tg	> 25 Days	
Warranty		
Warranty	3 Years Parts & Craftsmanship 7 Years Vacuum	
Safety Regulatory		
Safety Regulatory	UL / CSA STD 61010-1 LVD (2014/35/EU)	

Vial Inventory:

2 ml Slim Racks: 140
Boxes per Rack: 5
Total Boxes: 700
5.28 x 2.25 in (134 x 58 mm)



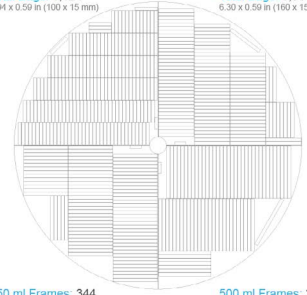
Square Racks: 52
Boxes per Rack: 13
Total Boxes: 676
5.50 x 5.50 in (140 x 140 mm)

Square Mini Racks: 152
Boxes per Rack: 13
Total Boxes: 1,976
3.18 x 3.34 in (81 x 85 mm)

SBS Racks: 80
5.50 x 3.03 in (140 x 92 mm)

Blood Bag Inventory:

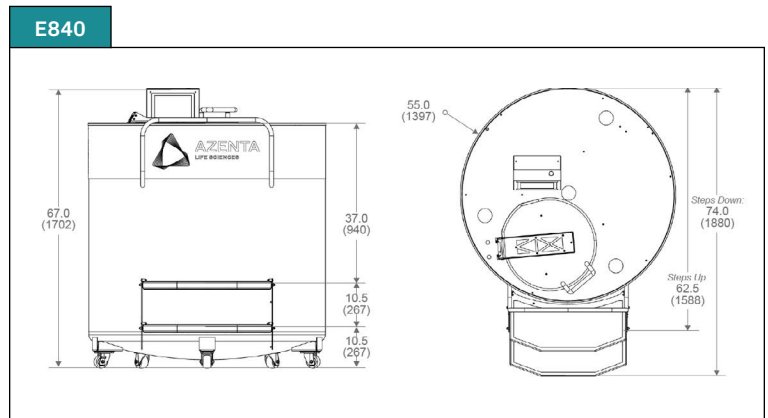
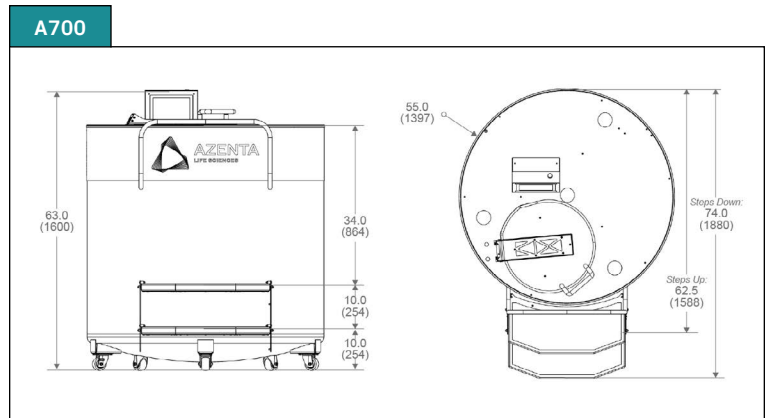
25 ml Frames: 732
Bags per Frame: 7
Total Bags: 5,124
3.94 x 0.59 in (100 x 15 mm)



50 ml Frames: 440
Bags per Frame: 7
Total Bags: 3,080
6.30 x 0.59 in (160 x 15 mm)

250 ml Frames: 344
Bags per Frame: 4
Total Bags: 1,376
7.88 x 0.59 in (200 x 15 mm)

500 ml Frames: 280
Bags per Frame: 4
Total Bags: 1,120
9.30 x 0.59 in (236 x 15 mm)



* 2 ml vial inventory and default vapor storage settings

