



# Azenta A440 & Extended Height E528

## Simple, Secure -190°C LN2 Vapor Storage

Designed For Samples By Users



### ERGONOMICS

- Cryo LED & Auto Fog Clear
- Full Sample Visibility
- Low Liftover Height
- Sufficient Workspace to Maintain Cold Chain

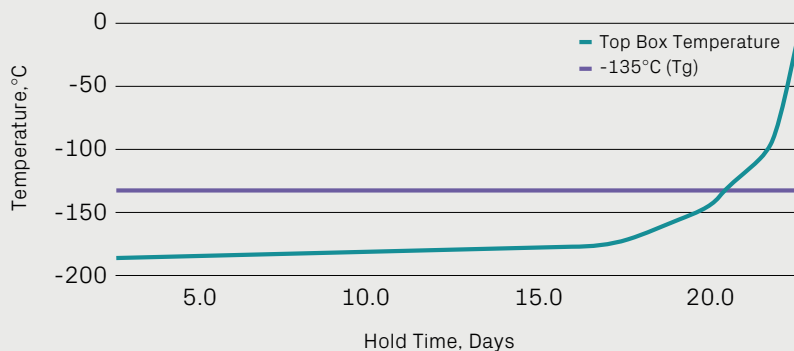
### CONNECTED

- Touchscreen with WiFi / LAN
- Text & Email Alerts
- Cloud Backup
- Redundant Remote Monitoring

### CAPACITY

- 10-30% More Samples
- Highest Storage Density
- Lowest LN2 Usage Per Sample

### A440 Temperature Test



STORAGE TEMPERATURE: -190°C

HOLD TIME < Tg: > 15 Days

*Temperature test performed with 2 ml vial inventory and default vapor storage settings*

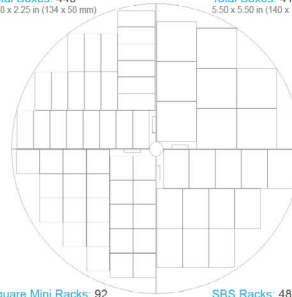


# Specifications: Azenta A440 & Extended Height E528

	A440	E528
<b>2 ml Vial Capacity (Vials   Boxes   Racks)</b>		
Slim Vertical Racks	44,000   440   88	52,800   528   88
Boxes / Racks	5	6
Square Racks	41,600   416   32	48,000   480   32
Boxes / Racks	13	15
<b>Blood Bag Capacity (Bags   Frames   Bags/Frames)</b>		
25 ml Cassettes	3,241   463   7	3,704   463   8
50 ml Cassettes	1,932   276   7	2,208   276   8
250 ml Cassettes	848   212   4	1,060   212   5
500 ml Cassettes	688   172   4	860   172   5
Outer Diameter - in (mm)	45.0 (1143)	45.0 (1143)
Overall Height - in (mm)	59.0 (1499)	63.0 (1600)
Usable Height - in (mm)	30.0 (762)	34.0 (864)
Step Height - in (mm)	10.5 (267)	10.0 (254) x 2
Liftover Height - in (mm)	39.5 (1003)	34.0 (864)
Neck Opening - in (mm)	18.2 (462)	18.2 (462)
Empty Weight - lbs (kg)	900 (408)	975 (442)
Working Weight* - lbs (kg)	1,760 (798)	1,960 (889)
LN2 Capacity (Vapor Storage)	150 L	
Hold Time < Tg	> 15 Days	
Warranty	3 Years Parts & Craftsmanship   7 Years Vacuum	
Safety   Regulatory	UL / CSA STD 61010-1   LVD (2014/35/EU)	

**Vial Inventory:**

2 ml Slim Racks: 88  
Boxes per Rack: 5  
Total Boxes: 440  
5.20 x 2.25 in (134 x 58 mm)



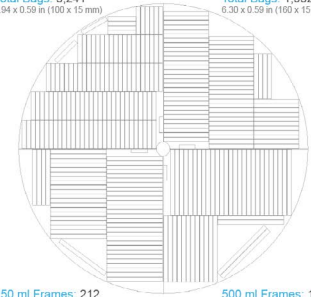
Square Racks: 32  
Boxes per Rack: 13  
Total Boxes: 416  
5.50 x 5.50 in (140 x 140 mm)

Square Mini Racks: 92  
Boxes per Rack: 13  
Total Boxes: 1,196  
3.18 x 3.34 in (81 x 85 mm)

SBS Racks: 48  
5.50 x 3.83 in (140 x 92 mm)

**Blood Bag Inventory:**

25 ml Frames: 463  
Bags per Frame: 7  
Total Bags: 3,241  
3.94 x 0.59 in (100 x 15 mm)

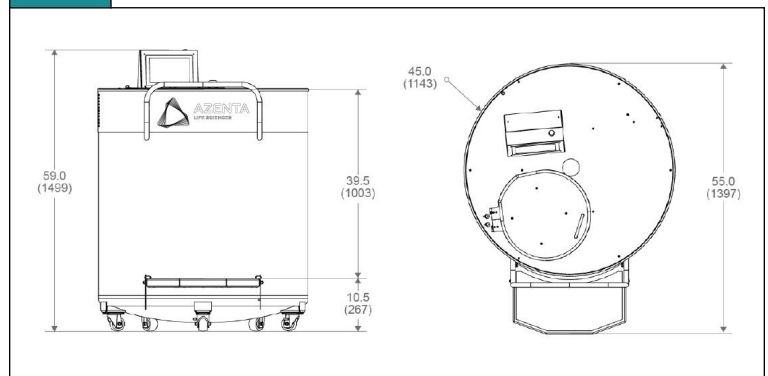


50 ml Frames: 276  
Bags per Frame: 7  
Total Bags: 1,932  
6.31 x 0.59 in (160 x 15 mm)

250 ml Frames: 212  
Bags per Frame: 4  
Total Bags: 848  
7.88 x 0.59 in (200 x 15 mm)

500 ml Frames: 172  
Bags per Frame: 4  
Total Bags: 688  
9.30 x 0.59 in (236 x 15 mm)

**A440**



**E528**

