


DOCUMENT NUMBER: <b>FM-000-0004-48</b>	TITLE: <b>Form - Product Change Notice</b>	
REVISION: H DCO# DC0005391	DOCUMENT CLASSIFICATION: 04-Forms, Templates or Other	

**PCN Number:** PPCN-48801708-0001    **Revision:** A    **Creation Date:** 12 Dec 2023

**This Product Change Notice supersedes the following documents:**

N/A

**Description and Reason for Change:**

We are writing to inform you that as part of our proactive sustaining engineering program and to improve the performance delivered by IntelliXcap™ Automated Screw Cap Decapper/Recapper 24-format when working with *Sarstedt External Thread Screw* caps tubes in 24-SBS format, we are redesigning the cap drivers on the corresponding cartridge.

In the initial version of the IntelliXcap Automated Screw Cap Decapper Cartridge, 24 format, designed for *Sarstedt External Thread Screw* caps tubes (48-8017-08), the extended length of the cap drivers at that time resulted in interference with rack 65-9928 (ASSY, RK, 24, SARSTEDT-NALGENE, 5CA), leading to restrictions when utilizing the rack as a cap carrier.

To overcome the issue and to allow the use of rack 6-9928 as a cap carrier, a new cap driver for the *Sarstedt External* cartridge has been designed.

This change will be effective immediately and will affect all IntelliXcap™ cartridges designed to work with *Sarstedt External Thread Screw* caps tubes, shipped from our facilities after December 14<sup>th</sup>, 2023.


**Impact of Change:**

This change will be effective immediately and will affect all IntelliXcap™ cartridges designed to work with *Sarstedt External Thread Screw* caps tubes, shipped from our facilities after December 14<sup>th</sup>, 2023.

The new cartridge is backwards compatible with all IntelliXcap™ Automated Screw Cap Decapper/Recapper 24-format Firmware versions and compatible with the current profile 340075 (IXC 24,PROFILE,#8,SARSTEA,EXT-THD) supplied with all devices that are configured to work with the designated labware.

Moreover, the new cartridge design is also compatible with profile 347802 (IXC 24,PROFILE,#8,SARSTEA, 0.5,EXT-THD) and profile 347646 (IXC 24,PROFILE,#8,NALGEN,EXT-THD) (custom profiles).

Confidential: The information is confidential and is to be used only in connection with matters authorized by Azenta and no part of it is to be disclosed to others without prior written permission from Azenta.		
Date Printed: Thursday, December 14, 2023 Template QMS150004-001 Rev D, DC0005321	<b>This is uncontrolled when printed</b>	PAGE <b>1</b> OF <b>3</b>

DOCUMENT NUMBER: <b>FM-000-0004-48</b>	TITLE: <b>Form - Product Change Notice</b>	
REVISION: H DCO# DC0005391	DOCUMENT CLASSIFICATION: 04-Forms, Templates or Other	

**Affected Part Numbers:**

This PCN affects Part Numbers listed below:

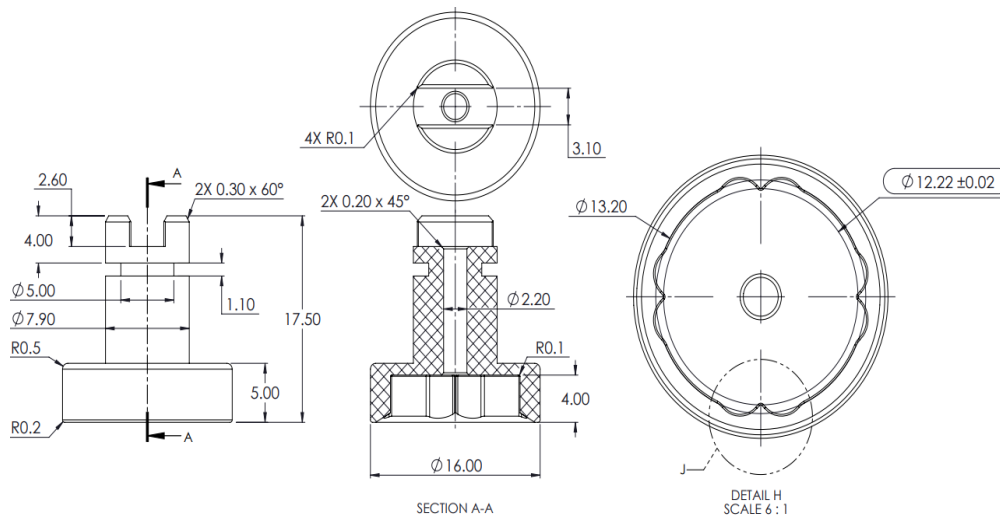
Part Number	Item Description
<b>48-8017-08</b>	ASSY,CARTRIDGE,INTELLIXCAP,24,SARSTEDT,EXT 

**Replacement/Alternative Part Numbers**


No suitable replacement available.

**Specification of alternative products**

Please see below, for information only, the new design of the affected part, with the new dimensions and geometry:



Confidential: The information is confidential and is to be used only in connection with matters authorized by Azenta and no part of it is to be disclosed to others without prior written permission from Azenta.

DOCUMENT NUMBER: <b>FM-000-0004-48</b>	TITLE: <b>Form - Product Change Notice</b>	
REVISION: H DCO# DC0005391	DOCUMENT CLASSIFICATION: 04-Forms, Templates or Other	

**Recommended Action:**

A cartridge replacement is recommended only if there is a noticeable deterioration of the performance of the decapper AND/OR if rack 65-9928 is to be used as a cap carrier.

**Timeframe for Implementation:**

Effective immediately.

For more information, please contact:

**Sofia Peniche Maria      Senior Global Product Manager**  
Tel: +44 (0) 781 596 0529      Email: sofia.peniche@azenta.com

Azenta Service and Sales Support: +1.800.379.7221.

Further contact information can be found at <https://www.azenta.com/contact-us>

**1 RECORD RETENTION**

For Control and Retention of Quality Records, see QMS101517

Confidential: The information is confidential and is to be used only in connection with matters authorized by Azenta and no part of it is to be disclosed to others without prior written permission from Azenta.		
Date Printed: Thursday, December 14, 2023 Template QMS150004-001 Rev D, DC0005321	<b>This is uncontrolled when printed</b>	PAGE <b>3</b> OF <b>3</b>