


DOCUMENT NUMBER: FM-000-0004-48	TITLE: Form - Product Change Notice	
REVISION: H DCO# DC0005391	DOCUMENT CLASSIFICATION: 04-Forms, Templates or Other	

PCN Number: PCN48801311-0001 **Revision:** B **Creation Date:** 22 Sep 2023

This Product Change Notice supersedes the following documents:

N/A

Description and Reason for Change:

We are writing to inform you that as part of our proactive sustaining engineering program and to improve the performance delivered by IntelliXcap™ Automated Screw Cap Decapper/Recapper 96-format when working with *Matrix Internal Thread Tube Screw Top* tubes, we are redesigning the cap drivers on the corresponding cartridge.

With the earlier revision of the IntelliXcap Automated Screw Cap Decapper Cartridge, 96 format, for *Thermo Matrix* internal thread (48-8013-11), it has been sporadically reported that some of the tubes were being forced into the rack during the decapping cycle, sitting lower in the rack than the remaining of the labware.

Hence, to overcome the reported issue and to improve the cap driver engagement with the Matrix Internal caps, a new cap driver for the Matrix cartridge has been designed.


This change will be effective immediately and will affect all IntelliXcap™ cartridges designed to work with Matrix Internal Thread Tube Screw Top tubes, shipped from our facilities after September 22nd, 2023.

Impact of Change:

This change will be effective immediately and will affect all IntelliXcap™ cartridges designed to work with Matrix Internal Thread Tube Screw Top tubes, shipped from our facilities after September 22nd, 2023.

The new cartridge is backwards compatible with all IntelliXcap™ Automated Screw Cap Decapper/Recapper 96-format Firmware versions and compatible with the current profile 338759 (IXC 96,PROFILE,#11,MATRIX,INTERNAL THREAD) supplied with all devices that are configured to work with the designated labware.

Confidential: The information is confidential and is to be used only in connection with matters authorized by Azenta and no part of it is to be disclosed to others without prior written permission from Azenta.

DOCUMENT NUMBER: FM-000-0004-48	TITLE: Form - Product Change Notice	
REVISION: H DCO# DC0005391	DOCUMENT CLASSIFICATION: 04-Forms, Templates or Other	

Affected Part Numbers:

This PCN affects Part Numbers listed below:

Part Number	Item Description
48-8013-11	ASSY,CARTRIDGE,INTELLIXCAP,96,MATRIX,INT

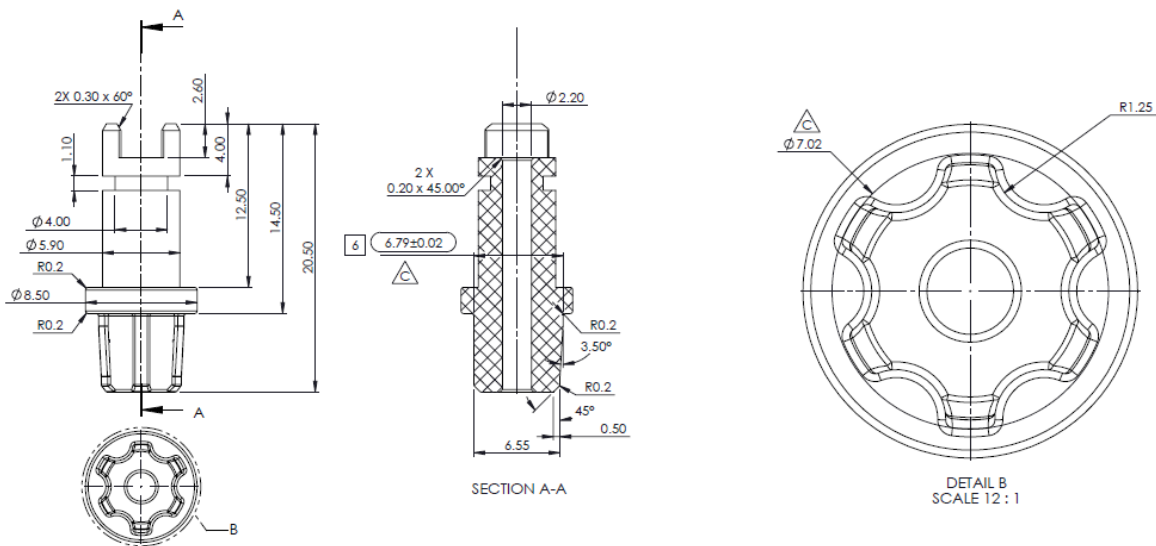


Replacement/Alternative Part Numbers


No suitable replacement available.

Specification of alternative products

The new cap driver has been designed to improve engagement with the caps. Please see below, for information only, the new design of the affected part, with the new dimensions and geometry:



Confidential: The information is confidential and is to be used only in connection with matters authorized by Azenta and no part of it is to be disclosed to others without prior written permission from Azenta.

DOCUMENT NUMBER: FM-000-0004-48	TITLE: Form - Product Change Notice	
REVISION: H DCO# DC0005391	DOCUMENT CLASSIFICATION: 04-Forms, Templates or Other	

Recommended Action:

A cartridge replacement is recommended only if the problem described in this PCN affects your workflow and deteriorates the performance of the unit.

Timeframe for Implementation:

Effective immediately.

For more information, please contact:

Sofia Peniche Maria Senior Global Product Manager
Tel: +44 (0) 781 596 0529 Email: sofia.peniche@azenta.com

Azenta Service and Sales Support: +1.800.379.7221.

Further contact information can be found at <https://www.azenta.com/contact-us>

1 RECORD RETENTION

For Control and Retention of Quality Records, see QMS101517

Confidential: The information is confidential and is to be used only in connection with matters authorized by Azenta and no part of it is to be disclosed to others without prior written permission from Azenta.