


DOCUMENT NUMBER: FM-000-0004-48	TITLE: Form - Product Change Notice	
REVISION: H DCO# DC0005391	DOCUMENT CLASSIFICATION: 04-Forms, Templates or Other	

PCN Number: PCN48801308-0001 **Revision:** A **Creation Date:** 18 Sep 2024

This Product Change Notice supersedes the following documents:

N/A

Description and Reason for Change:

We are writing to inform you that as part of our proactive sustaining engineering program, and to improve the performance of the IntelliXcap™ Automated Screw Cap Decapper/Recapper 96-format when working with Micronic External Thread Screw Cap tubes in 96-SBS format, we are redesigning the cap drivers on the corresponding cartridge.

In the previous version of the IntelliXcap 96 cartridge 48-8013-08, designed for Micronic External Thread Screw Cap tubes, performance issues were observed due to dimensional inconsistencies in the caps, resulting in difficulties with engagement.


To address these issues, a new cap driver for the Micronic External cartridge has been designed.

This change will be effective immediately and will impact all IntelliXcap™ cartridges designed to work with Micronic External Thread Screw Cap tubes, shipped from our facilities after September 20th, 2024.

Impact of Change:

This change will take effect immediately and will apply to all IntelliXcap™ cartridges designed for use with Micronic External Thread Screw Cap tubes, shipped from our facilities after September 20th, 2024. The new cartridge is fully backwards compatible with all IntelliXcap™ Automated Screw Cap Decapper/Recapper 96-format firmware versions and compatible with the current profile 336512 (IXC 96,PROFILE,#8,MICRONIC,EXTERNAL THREAD) used in field-installed units and devices configured to work with the designated labware.

Confidential: The information is confidential and is to be used only in connection with matters authorized by Azenta and no part of it is to be disclosed to others without prior written permission from Azenta.		
Date Printed: Friday, September 20, 2024 Template QMS150004-001 Rev D, DC0005321	This is uncontrolled when printed	PAGE 1 OF 3

DOCUMENT NUMBER: FM-000-0004-48	TITLE: Form - Product Change Notice	
REVISION: H DCO# DC0005391	DOCUMENT CLASSIFICATION: 04-Forms, Templates or Other	

Affected Part Numbers:

This PCN affects Part Numbers listed below:

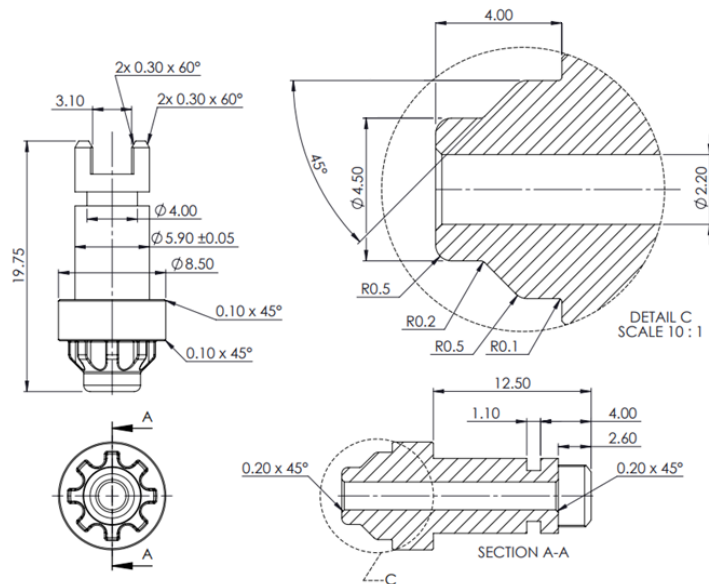
Part Number	Item Description
48-8013-08	ASSY,CARTRIDGE,INTELLIXCAP,96,MICRONIC,EXT 

Replacement/Alternative Part Numbers


No suitable replacement available.

Specification of alternative products

Please see below, for information only, the new design of the affected part, with the new dimensions and geometry:



Confidential: The information is confidential and is to be used only in connection with matters authorized by Azenta and no part of it is to be disclosed to others without prior written permission from Azenta.

DOCUMENT NUMBER: FM-000-0004-48	TITLE: Form - Product Change Notice	
REVISION: H DCO# DC0005391	DOCUMENT CLASSIFICATION: 04-Forms, Templates or Other	

Recommended Action:

A cartridge replacement is advised only if you observe a significant decline in decapper performance due to dimensional inconsistencies with the Micronic External caps.

Timeframe for Implementation:

Effective immediately.

For more information, please contact:

Sofia Peniche Maria **Senior Global Product Manager**
Tel: +44 (0) 781 596 0529 Email: sofia.peniche@azenta.com

Azenta Service and Sales Support: +1.800.379.7221.

Further contact information can be found at <https://www.azenta.com/contact-us>

1 RECORD RETENTION

For Control and Retention of Quality Records, see QMS101517

Confidential: The information is confidential and is to be used only in connection with matters authorized by Azenta and no part of it is to be disclosed to others without prior written permission from Azenta.		
Date Printed: Friday, September 20, 2024 Template QMS150004-001 Rev D, DC0005321	This is uncontrolled when printed	PAGE 3 OF 3