


DOCUMENT NUMBER: FM-000-0004-48	TITLE: Form - Product Change Notice	
REVISION: H DCO# DC0005391	DOCUMENT CLASSIFICATION: 04-Forms, Templates or Other	

PCN Number: PCN48801302-0001 **Revision:** A **Creation Date:** 31 Oct 2023

This Product Change Notice supersedes the following documents:

N/A

Description and Reason for Change:

We are writing to inform you that as part of our proactive sustaining engineering program and to improve the performance delivered by IntelliXcap™ Automated Screw Cap Decapper/Recapper 96-format when working with *Azenta Life Sciences External Thread Screw caps* tubes, we are redesigning the cap drivers on the corresponding cartridge.


This change will be effective immediately and will affect all IntelliXcap™ cartridges designed to work with Azenta Life Sciences External Thread Screw caps tubes, shipped from our facilities after October 31st, 2023.

Impact of Change:

This change will be effective immediately and will affect all IntelliXcap™ cartridges designed to work with Azenta Life Sciences External Thread Screw caps tubes, shipped from our facilities after October 31st, 2023.

The new cartridge is backwards compatible with all IntelliXcap™ Automated Screw Cap Decapper/Recapper 96-format Firmware versions and compatible with the current profile 335948 (IXC 96,PROFILE,#2,FLUIDX,EXT-THD,NEXT GEN) supplied with all devices that are configured to work with the designated labware.

Moreover, it is also compatible with profile 389006 (IXC 96,PROFILE,#2,FLUIDX,BLUE-CAPS,EXT-THD), developed to work with SP-2791-S (TU,0.5,EXT,NG,CM AN,UCP,TUL,96LBRK,ETO,10CA) and caps SP-2112-S (CPCAR,EXT,OR CP,96CC,ETO,10CA)/ SP-2292-S (CPCAR,EXT,TR BL CP,96CC,ETO,10CA) (custom setup).

DOCUMENT NUMBER: FM-000-0004-48	TITLE: Form - Product Change Notice	
REVISION: H DCO# DC0005391	DOCUMENT CLASSIFICATION: 04-Forms, Templates or Other	

Affected Part Numbers:

This PCN affects Part Numbers listed below:

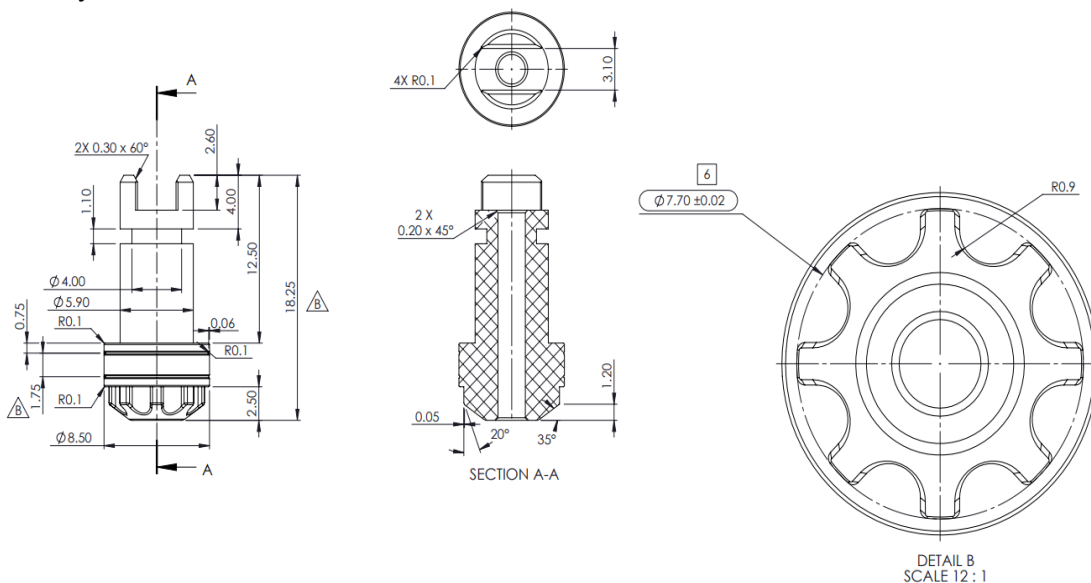
Part Number	Item Description
48-8013-02	ASSY,CARTRIDGE,INTELLIXCAP,96,AZENTA,EXT 

Replacement/Alternative Part Numbers


No suitable replacement available.

Specification of alternative products

The new cap driver has been designed to improve engagement with the caps. Please see below, for information only, the new design of the affected part, with the new dimensions and geometry:



Confidential: The information is confidential and is to be used only in connection with matters authorized by Azenta and no part of it is to be disclosed to others without prior written permission from Azenta.

DOCUMENT NUMBER: FM-000-0004-48	TITLE: Form - Product Change Notice	
REVISION: H DCO# DC0005391	DOCUMENT CLASSIFICATION: 04-Forms, Templates or Other	

Recommended Action:

A cartridge replacement is recommended only if there is a noticeable deterioration of the performance of the decapper.

Timeframe for Implementation:

Effective immediately.

For more information, please contact:

Sofia Peniche Maria Senior Global Product Manager
Tel: +44 (0) 781 596 0529 Email: sofia.peniche@azenta.com

Azenta Service and Sales Support: +1.800.379.7221.

Further contact information can be found at <https://www.azenta.com/contact-us>

1 RECORD RETENTION

For Control and Retention of Quality Records, see QMS101517

<p>Confidential: The information is confidential and is to be used only in connection with matters authorized by Azenta and no part of it is to be disclosed to others without prior written permission from Azenta.</p>		
<p>Date Printed: Wednesday, November 1, 2023 Template QMS150004-001 Rev D, DC0005321</p>	<p>This is uncontrolled when printed</p>	<p>PAGE 3 OF 3</p>